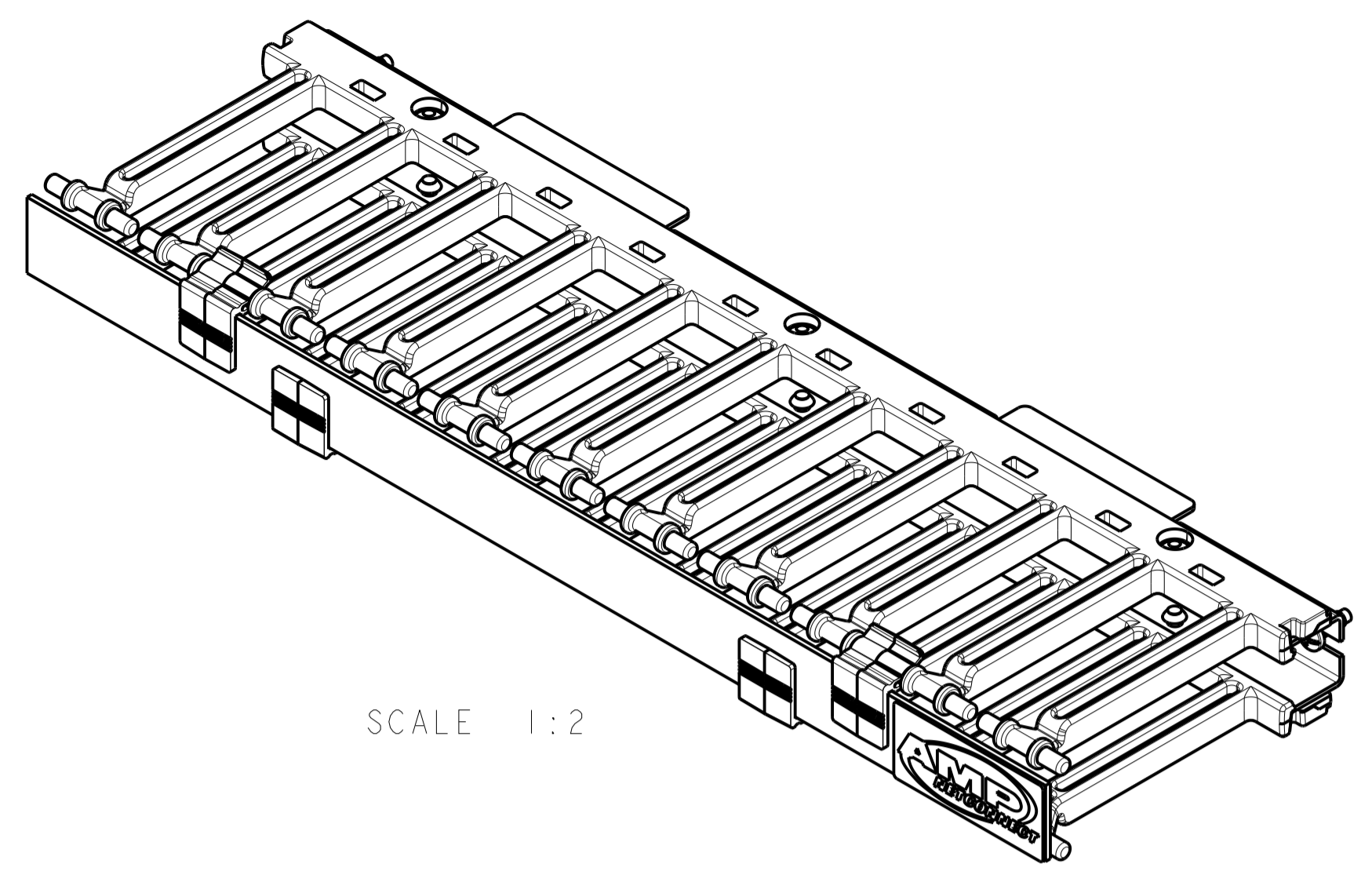


| REVISIONS |     |                      |           |       |
|-----------|-----|----------------------|-----------|-------|
| REV       | LTN | DESCRIPTION          | DATE      | APPV  |
| A         |     | RLSD; NSD07-114      | 19DEC2007 | GG SH |
| B         |     | REV: ECO-08-013669   | 03JUN2008 | GG SH |
| C         |     | REV PER BNS_CD_BRAND | 01FEB2017 | GG DC |

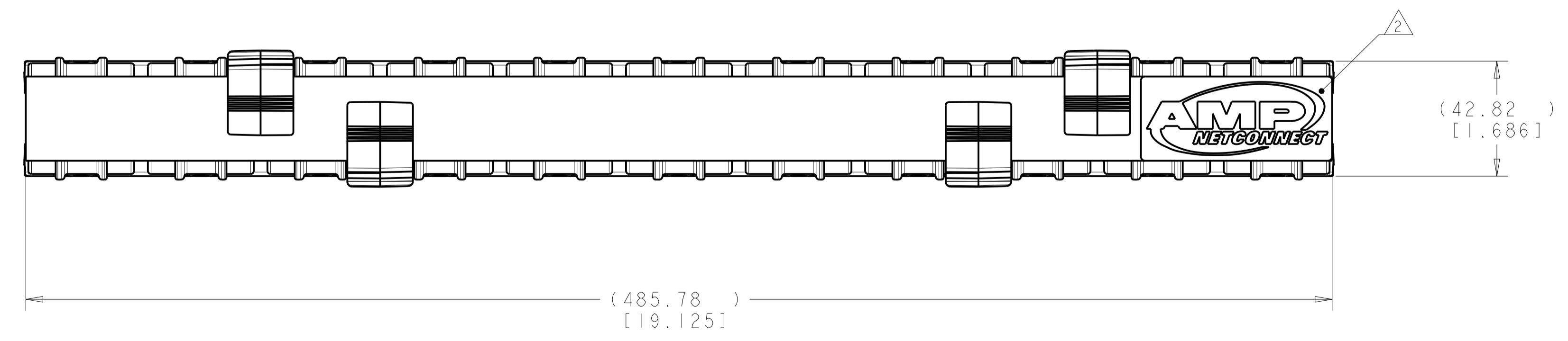
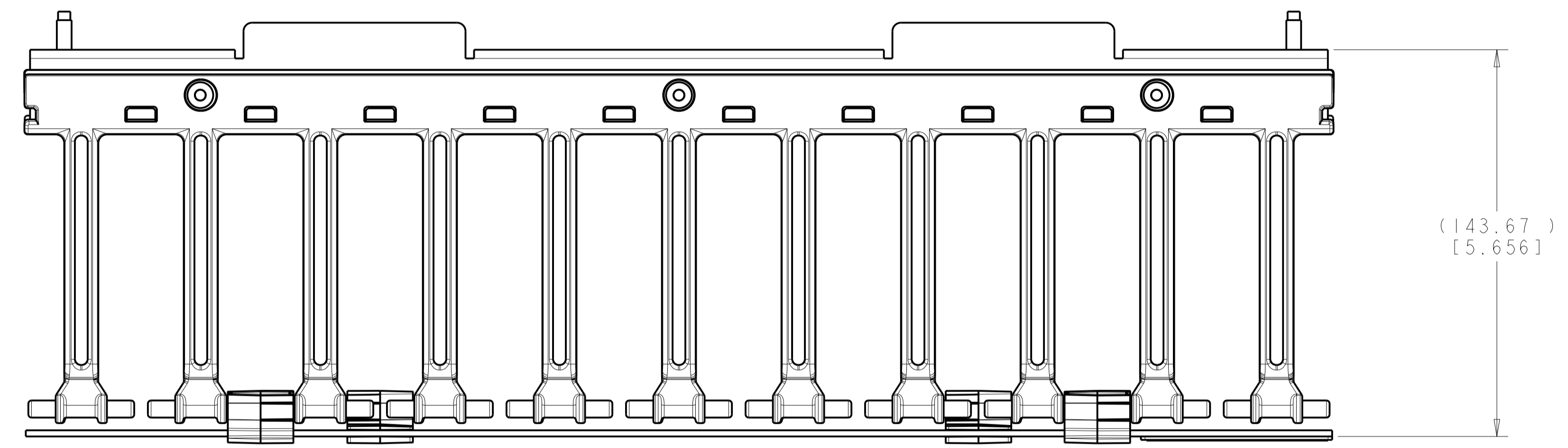


SCALE 1:2

△ MATERIAL:  
 FINGER SECTIONS - UL 94V-0 POLYCARBONATE, BLACK.  
 CABLE MANAGER COVERS - (2.29) [0.090] 5052-H32 ALUMINUM.  
 SPACERS/BRACKETS - 14 GA. CARBON STEEL.

FINISH:  
 SPACERS, BRACKETS AND CABLE MANAGER COVERS -  
 POLYESTER POWDERCOATING, FLAT BLACK, IF59126.

△ AMP NECONNECT LOGO SHALL BE WHITE  
 LETTERING ON BLACK COLORED BACKGROUND,  
 RAISED BUBBLE TYPE ADHESIVE EMBLEM.  
 PRINT LOGO, AS SHOWN, DOES NOT REFLECT  
 TRUE BLACK BACKGROUND.



(485.78 )  
 [19.125]

1933530-1  
 PART NUMBER

|  |          |                                 |                                      |  |
|--|----------|---------------------------------|--------------------------------------|--|
| THIS DRAWING IS A CONTROLLED DOCUMENT. |          | DWN<br>G. GARRETT<br>19DEC2007  | COMMSCOPE, INC.                      |  |
| DIMENSIONS:<br>(MM) [INCHES]           |          | CHK<br>S. HERNDON<br>19DEC2007  | NAME<br>HORIZONTAL I/O, SINGLE SIDED |  |
| TOLERANCES UNLESS OTHERWISE SPECIFIED: |          | APPV<br>S. HERNDON<br>19DEC2007 | SIZE<br>A1                           |  |
| 0 PLC ±                                | 1 PLC ±  | PRODUCT SPEC                    | CAGE CODE DRAWING NO<br>C=1933530    |  |
| 2 PLC ±                                | 3 PLC ±  | APPLICATION SPEC                | RESTRICTED TO                        |  |
| 4 PLC ±                                | ANGLES ± | WEIGHT                          | SCALE 3:4 SHEET 1 OF 1 REV C         |  |
| MATERIAL                               | FINISH   | CUSTOMER DRAWING                |                                      |  |