

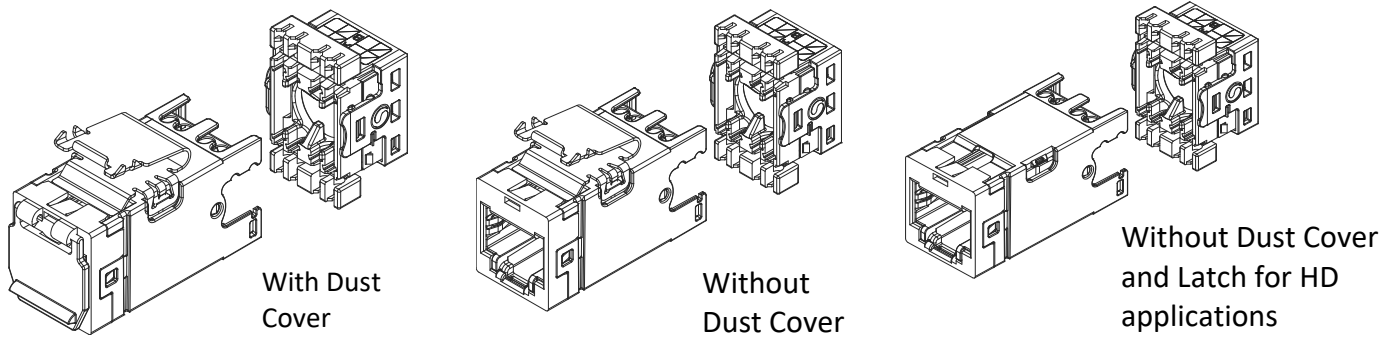
6S and 6AS SLX Shielded Jacks

860638777

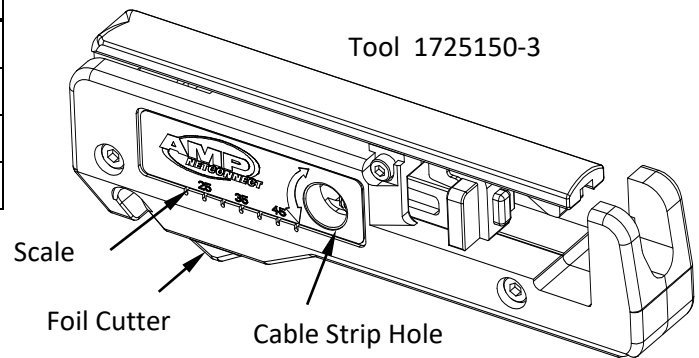
Rev E 26JUL2021

commscope.com

Instructional Video: <https://video.commscope.com/watch/BPJDMaJSX1KBXxY74stVr8>

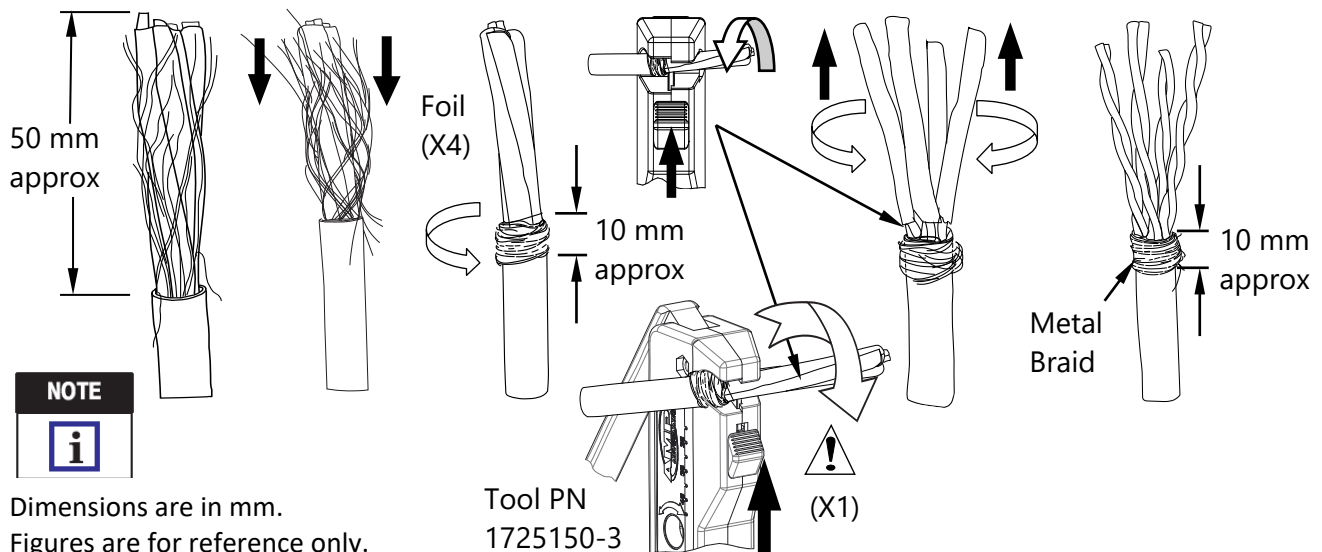


CABLE REQUIREMENTS	
Solid Conductor Range	22 – 26 AWG
Stranded Conductor Range	24 – 26 AWG
Max. Insulation Diameter	1.60 mm
Total Cable Diameter Range	5.0 – 9.0 mm



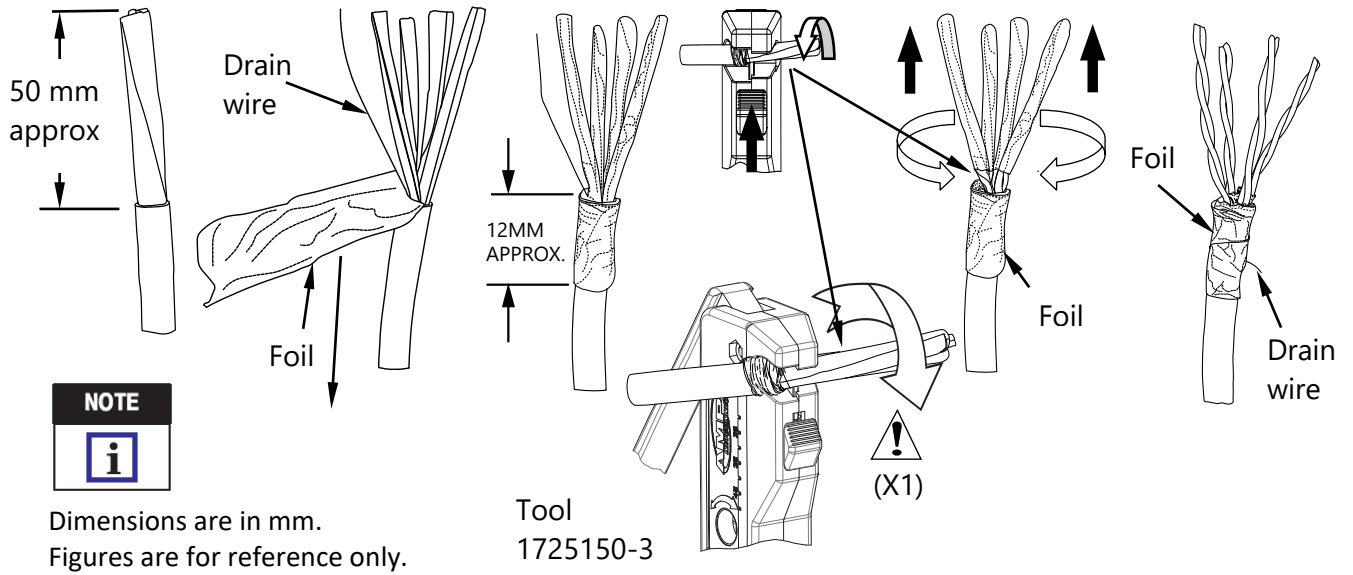
S/FTP

CABLE PREPARATION: S/FTP ("PiMF")



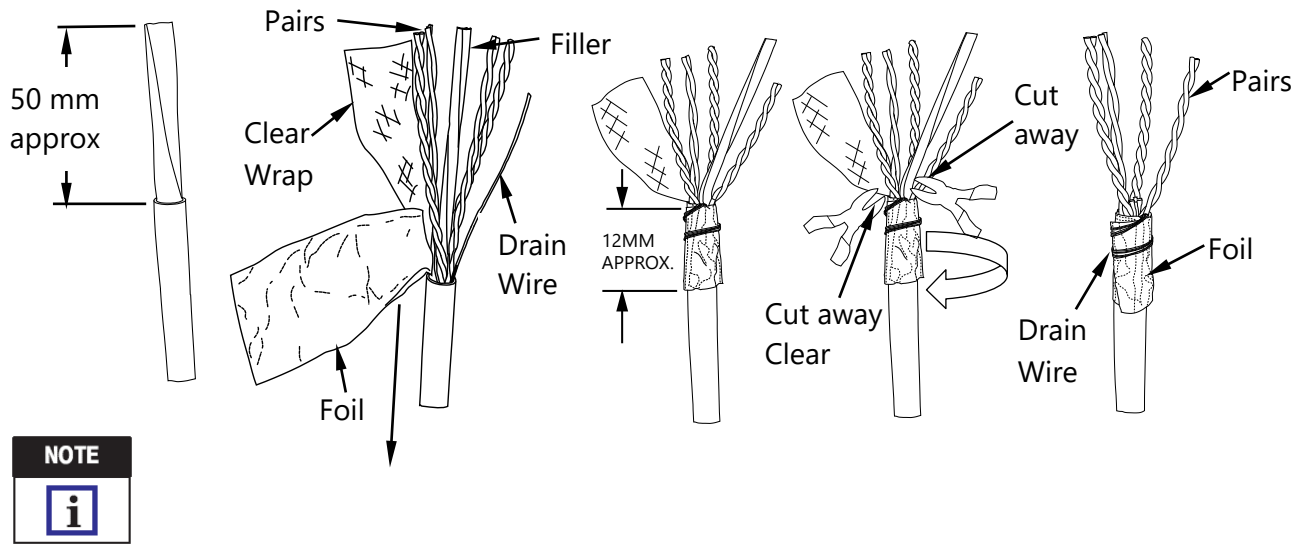
F/FTP

CABLE PREPARATION: F/FTP ("Compact")



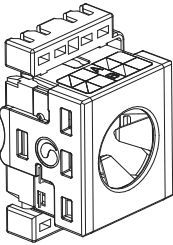
F/UTP

CABLE PREPARATION: F/UTP

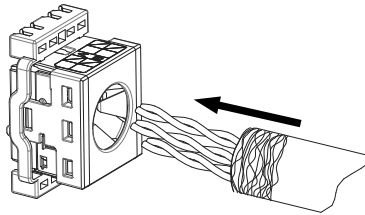


ASSEMBLY INSTRUCTIONS

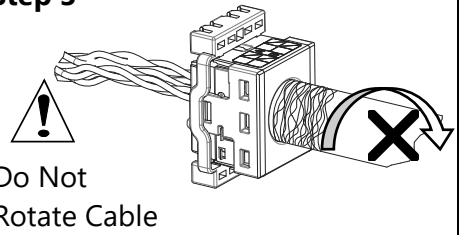
Step 1 (ALIGN COLOR CODING)



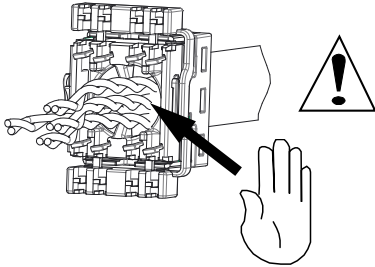
Step 2



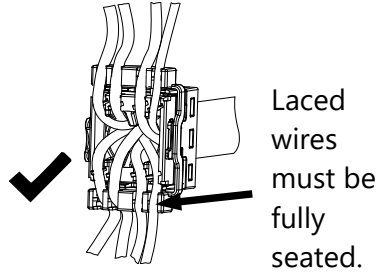
Step 3



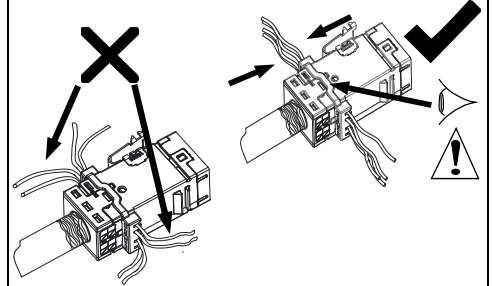
Step 4 (CABLE DEPTH)



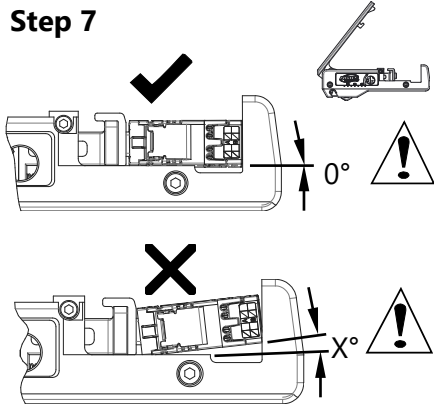
Step 5 (LACING WIRES)



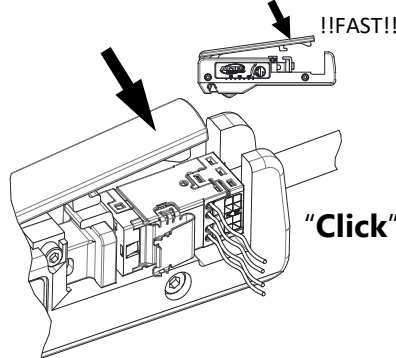
Step 6 (LOCATE KEY FEATURE)



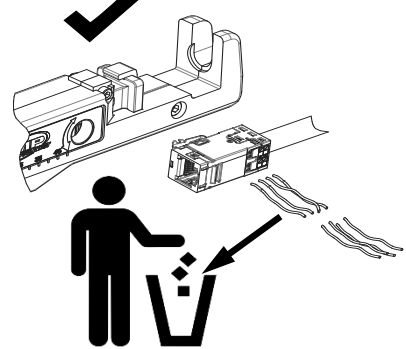
Step 7



Step 8 (CLOSING PROCESS)

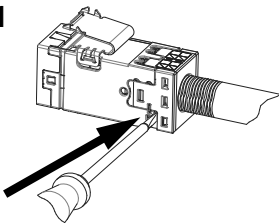


Step 9

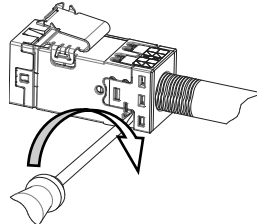


REOPENING AND CABLE EXTRACTION INSTRUCTIONS

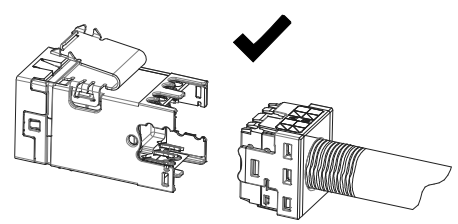
Step 1



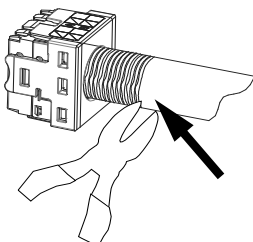
Step 2



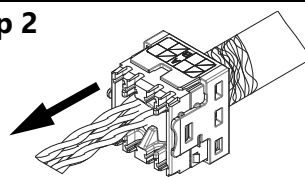
Step 3



Step 1

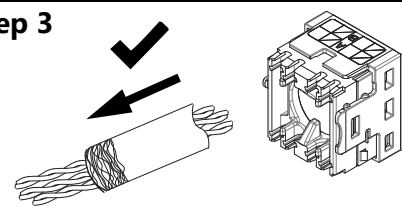


Step 2



EXTRACT CUT CABLE THIS DIRECTION

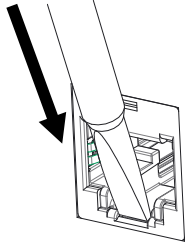
Step 3



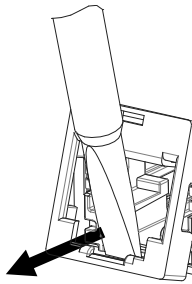
REMOVE CABLE AND DISPOSE

COLOR CAP REMOVAL/REPLACEMENT

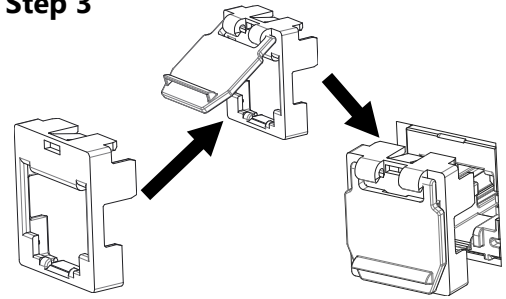
Step 1



Step 2

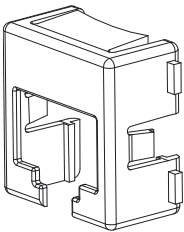


Step 3

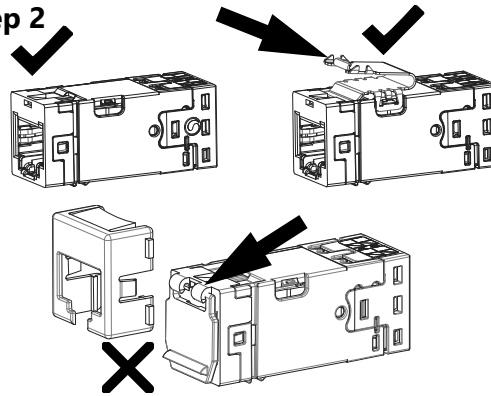


M SERIES ADAPTER

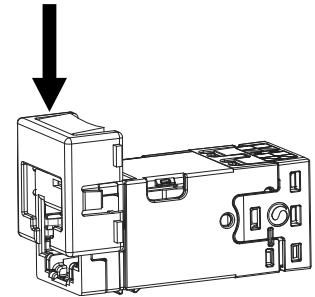
Step 1



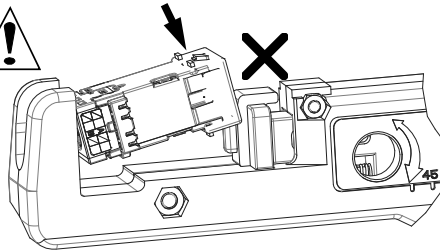
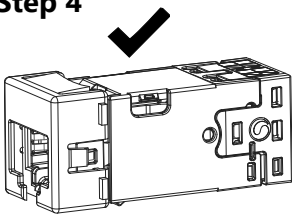
Step 2



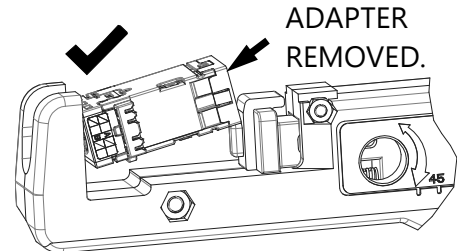
Step 3



Step 4



CABLE NOT SHOWN.



ADAPTER
REMOVED.

Trade-marks

All trademarks identified by ® or ™ are registered trademarks or trademarks, respectively, of CommScope, Inc. This document is for planning purposes only and is not intended to modify or supplement any specifications or warranties relating to CommScope products or services. CommScope is committed to the highest standards of business integrity and environmental sustainability, with a number of CommScope's facilities across the globe certified in accordance with international standards, including ISO 9001, TL 9000, and ISO 14001.

Further information regarding CommScope's commitment can be found at www.commscope.com/About-Us/Corporate-Responsibility-and-Sustainability.

Contact information

Visit our website or contact your local CommScope representative for more information.

For technical assistance, customer service, or to report any missing/damaged parts, visit us at:

<http://www.commscope.com/SupportCenter>

This product is covered by one or more U.S. patents or their foreign equivalents. For patents, see www.commscope.com/ProductPatent/ProductPatent.aspx