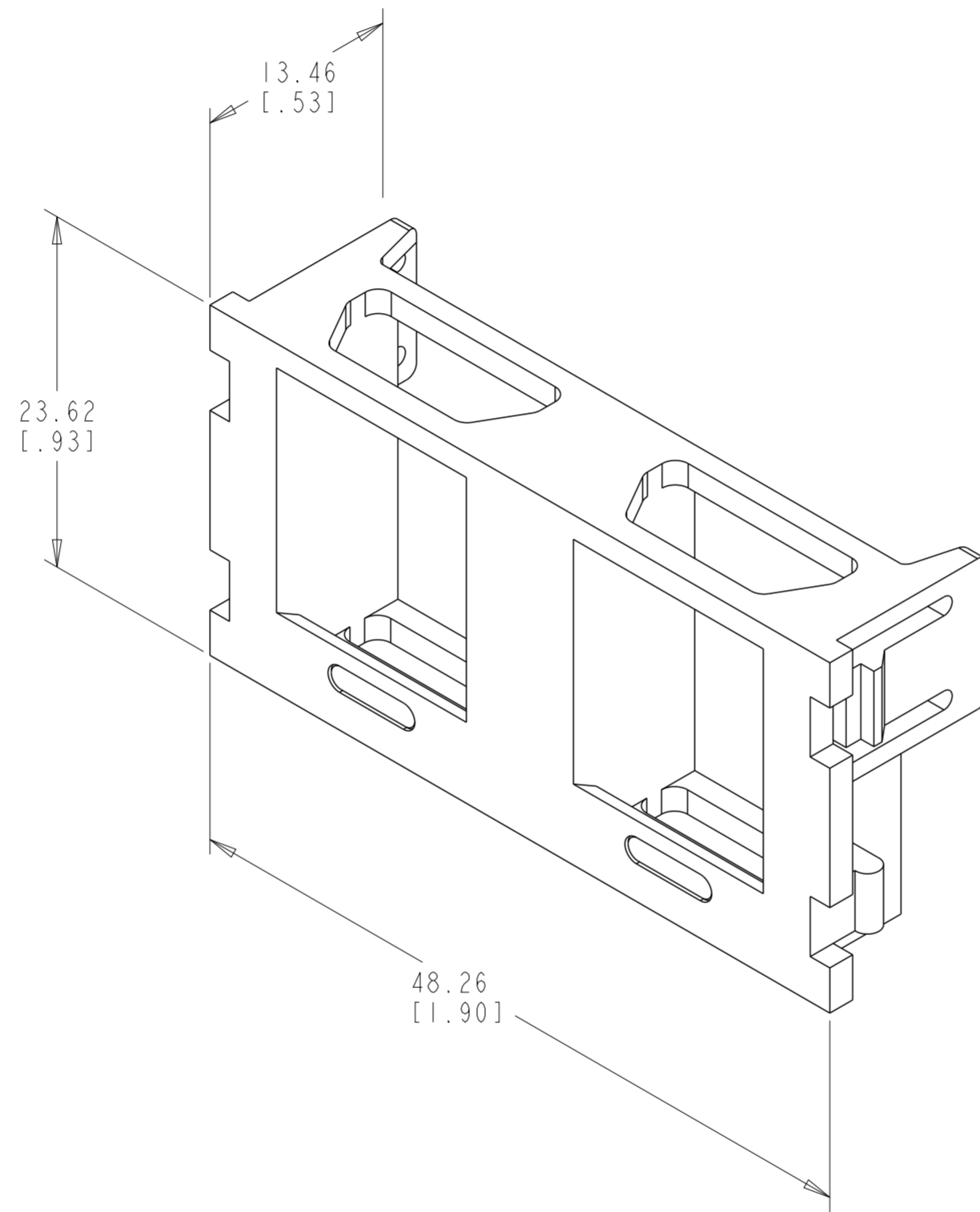


THIS DRAWING IS UNPUBLISHED. RELEASED FOR PUBLICATION  
 © 2016 COMMSCOPE INC. CONFIDENTIAL NOTICE: THESE DRAWINGS AND SPECIFICATIONS ARE THE PROPRIETARY PROPERTY OF COMMSCOPE, INC. AND MAY BE USED ONLY FOR THE SPECIFIC PURPOSE AUTHORIZED IN WRITING BY COMMSCOPE, INC.

REVISIONS				
P	LTR	DESCRIPTION	DATE	APVD
C		REV; EC 0B40-0077-01	30APR01	LH GB
D		REV; ECO-13-019669	16DEC13	JB RA
E		REV; ECO-15-003156	19MAY2015	GG RA



- 1 MATERIAL:  
MODULE: ABS MOLDING COMPOUND.  
SEE TABLE FOR COLOR.
- 2 DIMENSIONS ARE NOMINAL UNLESS OTHERWISE SPECIFIED.
- 3. MODULE WILL ACCEPT 110 CONNECT AND SL SERIES TOOLLESS MODULAR JACKS AND INSERTS.
- 4. REFER TO INSTRUCTION SHEET 408-8398 FOR INSTALLATION PROCEDURES.

ALPINE WHITE	I-1116409-3
LT ALMOND	1116409-1
COLOR	PART NO

THIS DRAWING IS A CONTROLLED DOCUMENT.		DWN T. PITTS 14SEP99	<b>COMMSCOPE, INC.</b>																				
DIMENSIONS: mm (INCHES)		CHK R. MARTIN 10NOV99																					
TOLERANCES UNLESS OTHERWISE SPECIFIED:		APVD R. MARTIN 09DEC99																					
<table border="0"> <tr> <td>0 PLC</td><td>±</td><td></td></tr> <tr> <td>1 PLC</td><td>±</td><td></td></tr> <tr> <td>2 PLC</td><td>±</td><td>2</td></tr> <tr> <td>3 PLC</td><td>±</td><td></td></tr> <tr> <td>4 PLC</td><td>±</td><td></td></tr> <tr> <td>ANGLES</td><td>±</td><td></td></tr> <tr> <td>FINISH</td><td>-</td><td></td></tr> </table>		0 PLC			±		1 PLC	±		2 PLC	±	2	3 PLC	±		4 PLC	±		ANGLES	±		FINISH	-
0 PLC	±																						
1 PLC	±																						
2 PLC	±	2																					
3 PLC	±																						
4 PLC	±																						
ANGLES	±																						
FINISH	-																						
MATERIAL		PRODUCT SPEC -	SIZE A2	CAGE CODE -	DRAWING NO G-1116409	RESTRICTED TO -																	
CUSTOMER DRAWING		WEIGHT -	SCALE 3:1	SHEET 1	OF 1	REV E																	