

## BUDI-R

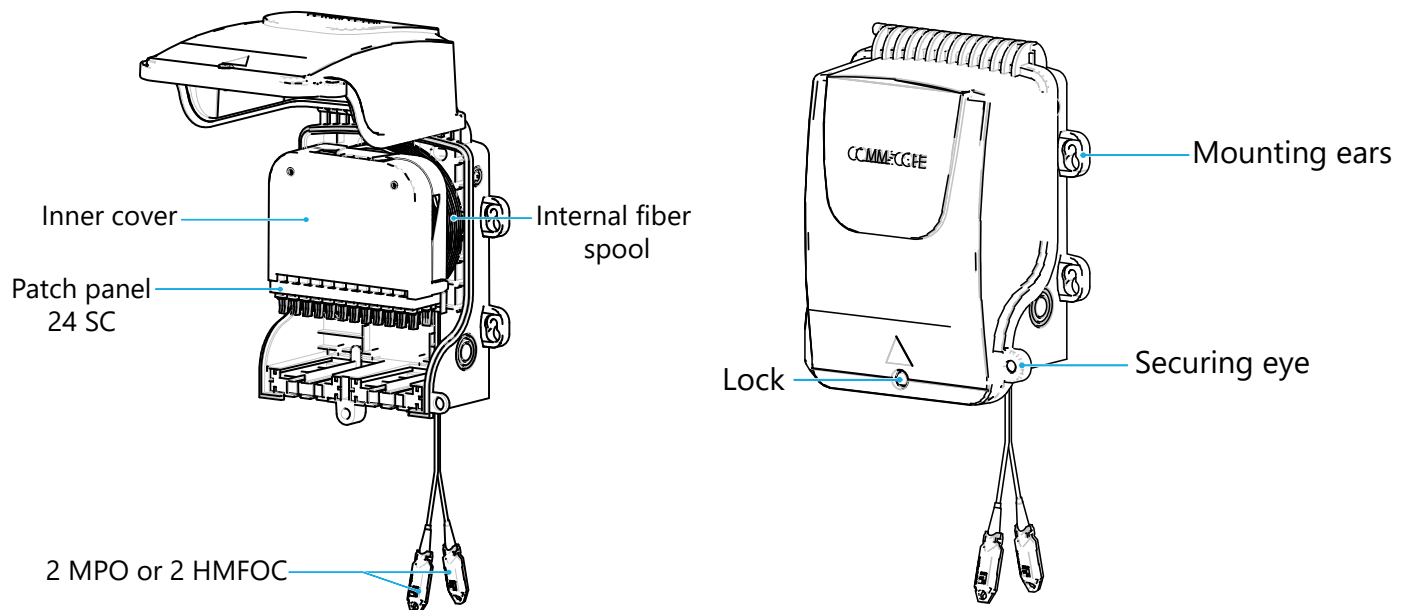
### Contents

<b>1</b>	<b>General product information</b> .....	<b>1</b>	<b>5.3</b>	<b>Pulling the cable</b> .....	<b>3</b>
<b>2</b>	<b>General safety precautions</b> .....	<b>1</b>	<b>6</b>	<b>Remove packaging</b> .....	<b>4</b>
<b>3</b>	<b>Determining where to mount the BUDI-R</b> .....	<b>2</b>	<b>7</b>	<b>Mounting the BUDI-R</b> .....	<b>5</b>
<b>4</b>	<b>Unpacking the external spool (if applicable)</b> .....	<b>2</b>	<b>8</b>	<b>Paying out the cable on the internal spool</b> .....	<b>6</b>
<b>5</b>	<b>Paying out the cable on external spool (if applicable)</b> .....	<b>2</b>	<b>9</b>	<b>Installing patch cords</b> .....	<b>7</b>
<b>5.1</b>	<b>Preparing the MPO cable</b> .....	<b>2</b>	<b>10</b>	<b>Trademarks and patents</b> .....	<b>9</b>
<b>5.2</b>	<b>Preparing HMFOC cable</b> .....	<b>3</b>	<b>11</b>	<b>Contact information</b> .....	<b>9</b>

## 1 General product information

The BUDI-R is a wall-mount terminal used to deploy and manage fiber optic networks in a small to mid-sized multiple dwelling unit (MDU) or multiple tenant unit (MTU). Installation can be completed by one person. The BUDI-R contains an internal fiber spool loaded with 24 SC adapters and 2 12-fiber Indoor/Outdoor cable terminated with an MPO connector or an HMFOC connector. Certain product configurations will come with an external spool holding an extension of the cable beyond what the internal spool can hold.

Within the BUDI-R, the cable is pre-terminated to two rows of SC adapters used to connect patch cord drops to subscribers. The BUDI-R has an inner cover and is only removed for connector cleaning when desired.



## 2 General safety precautions

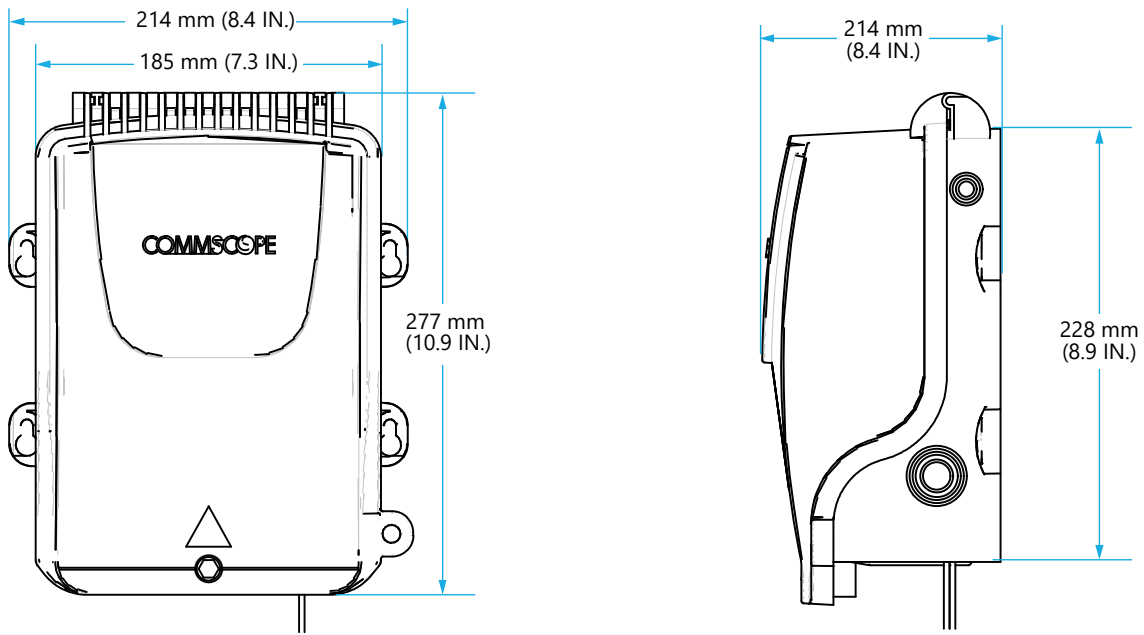
2.1 Fiber optic cables may be damaged if bent or curved to a radius that is less than the recommended minimum bend radius. Always observe the recommended bend radius limit when installing fiber optic cables and patch cords.

2.2 Infrared radiation is invisible and can seriously damage the retina of the eye. Do not look into the ends of any optical fiber. Do not look directly into the optical adapters of the adapter packs. Do not assume the laser power is turned off or that the fiber is disconnected at the other end.

A protective cap or hood **MUST** be immediately placed over any radiating adapter or optical fiber connector to avoid the potential of dangerous amounts of radiation exposure. This practice also prevents dirt particles from entering the connector and adapter.

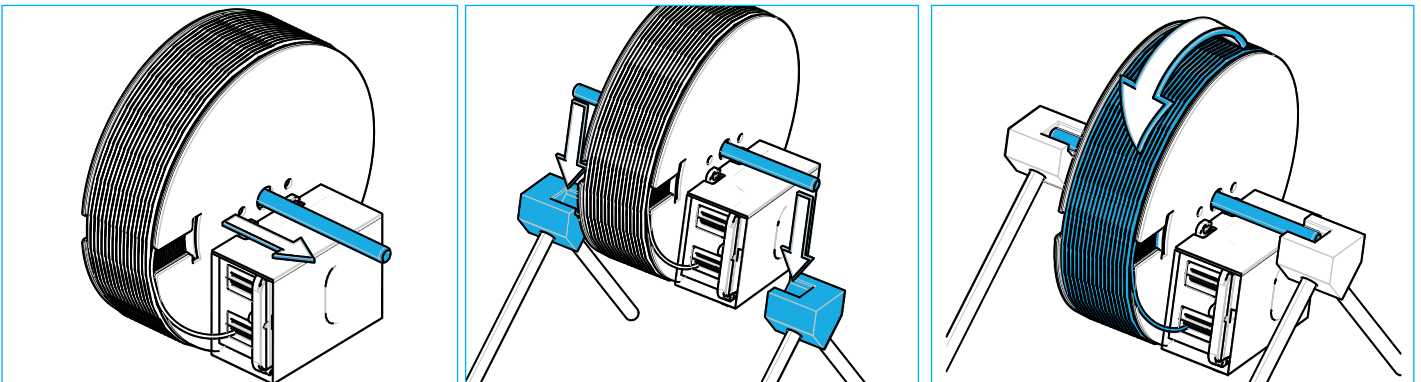
### 3 Determining where to mount the BUDI-R

The BUDI-R should be mounted in the MDU or MTU near the entry to the conduit or duct that the cable will be routed through to the local hub. Figure below shows the BUDI-R dimensions.



### 4 Unpacking the external spool (if applicable)

**Note:** Pulling bar and stand not included in the kit.



- 4.1 Insert the pulling bar through the spool. The BUDI-R is attached to the spool with cardboard connections and cable ties.
- 4.2 Place it on the stand as shown.
- 4.3 Spool is ready to pay out.

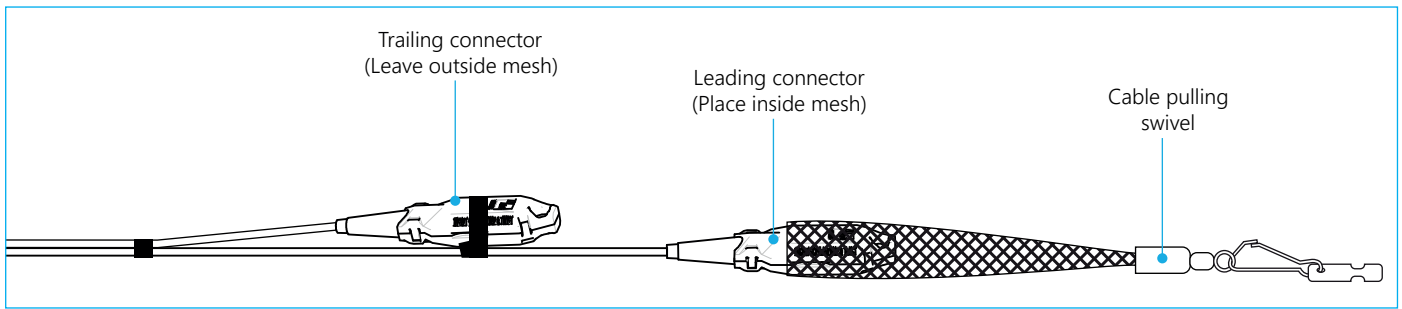
### 5 Paying out the cable on external spool (if applicable)

**Caution:** The cable is not designed for outdoor direct burial or outdoor aerial applications. Do not pull fiber perpendicular from the BUDI-R. Pull fiber parallel with the wall and route to the equipment.

#### 5.1 Preparing the MPO cable

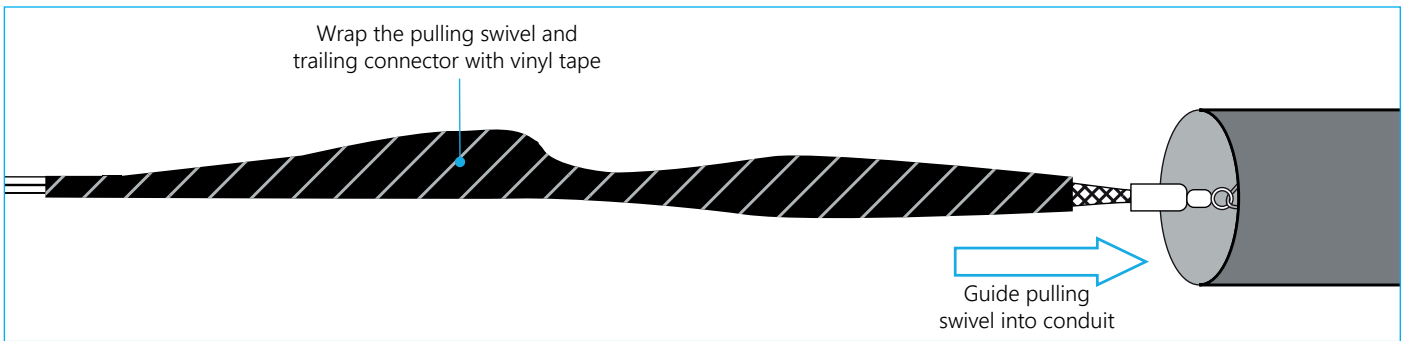
**Note:** This procedure assumes use of a pulling swivel mesh to pull the connector through to the termination point.

**Note:** Pulling swivel is not included in the kit.



5.1.1 Insert the leading connector pulling eye (installed in the factory) into the pulling swivel mesh.

**Note:** Do not pull on the connector directly. Use either the pulling swivel mesh as shown or wrap the lead end of the cable around your hand as described in step 5.3.2. Do not exceed 40 lbs. of force.

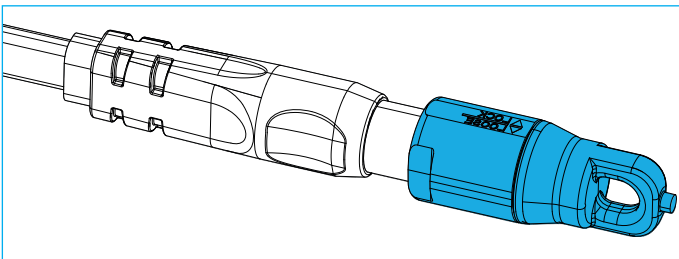


5.1.2 Wrap several layers of vinyl tape around the pulling swivel and trailing connector.

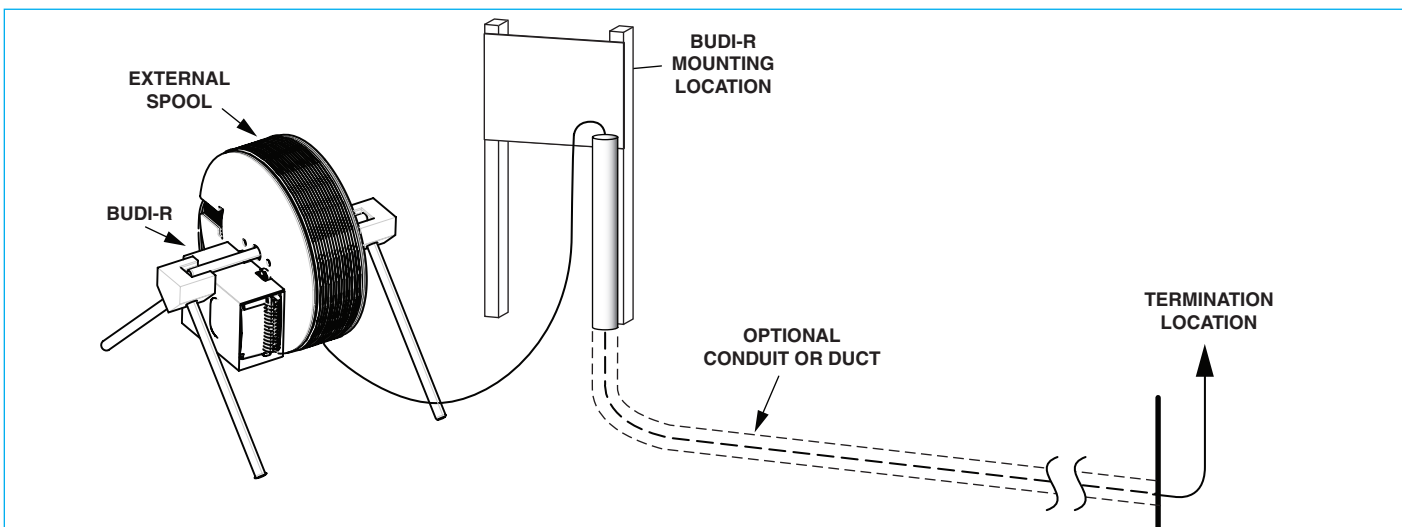
## 5.2 Preparing HMFOC cable

The HMFOC connector at the end of the terminal's tail is the non-pinned female type. The connector is protected by a dust cap. A pulling eye is integrated into the end of the dust cap for pulling the drop cable.

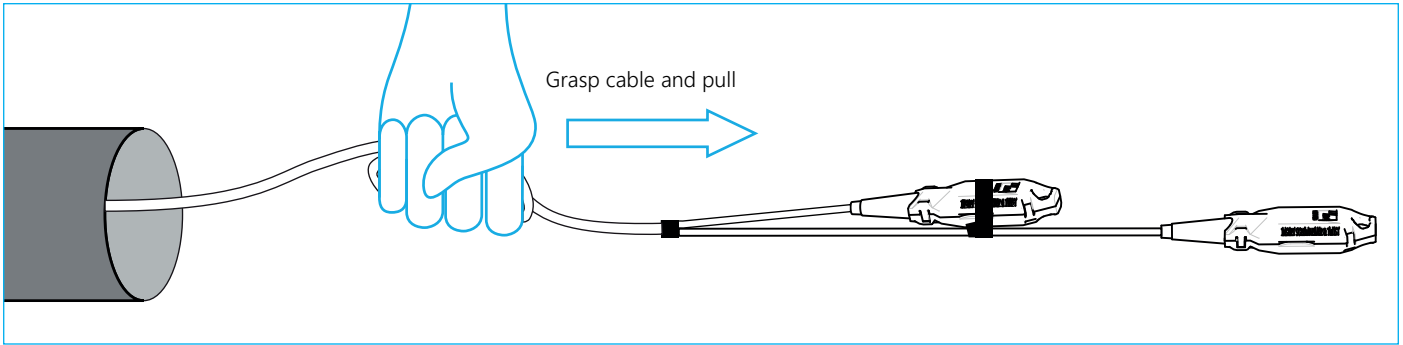
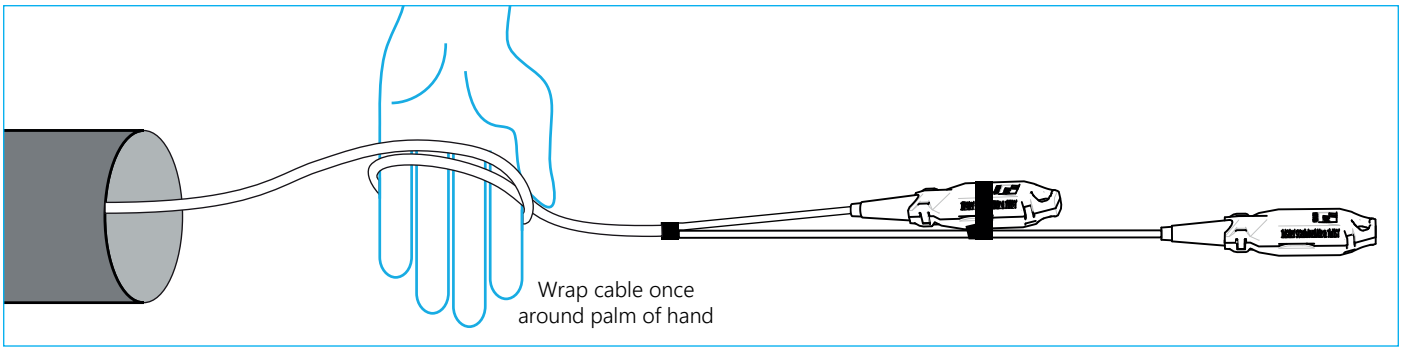
**Note:** Do not exceed a pulling force of 445N (100 lbs) and when connected, don't exceed cable pull of 111 N (25 lbs). A properly rated breakaway swivel should be used between the pull rope and the pulling cap.



## 5.3 Pulling the cable

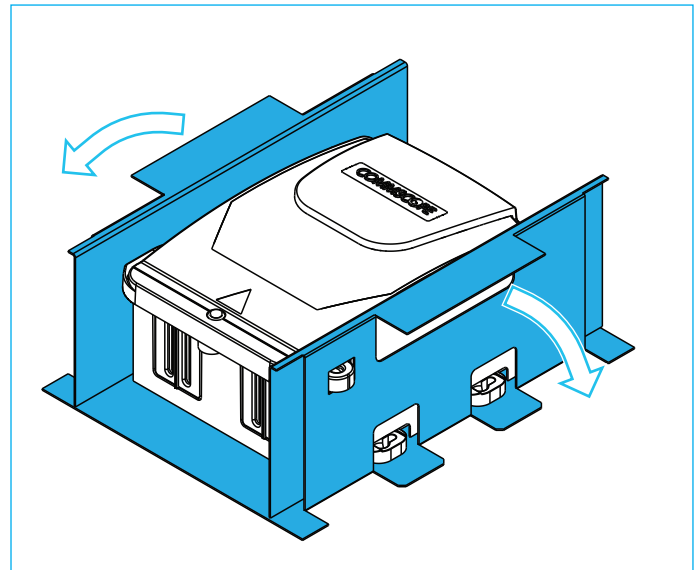
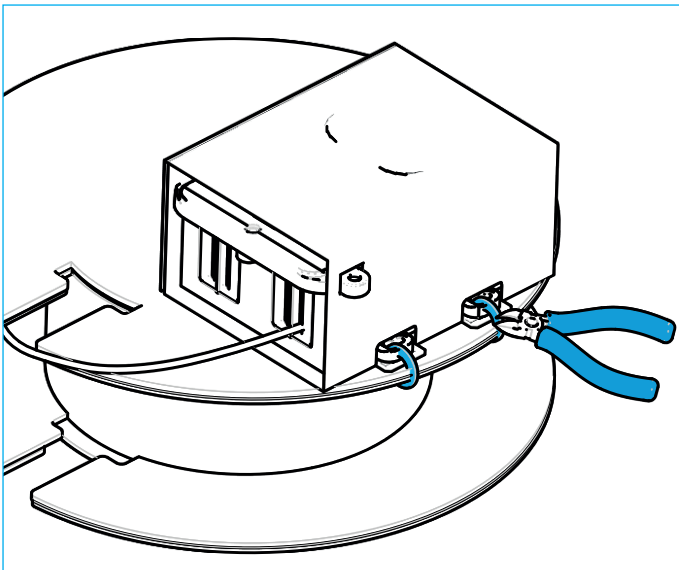


5.3.1 Tie a pulling cord to the swivel (MPO) or dust cap (HMFOC) and guide the pulling cord into the conduit or duct.



5.3.2 At the conduit exit location, remove the tape, mesh, and pulling swivel from the leading connector pulling eye(s), and use the hand-wrap method shown to pull the cable to the point where the cable will be terminated.

## 6 Remove packaging

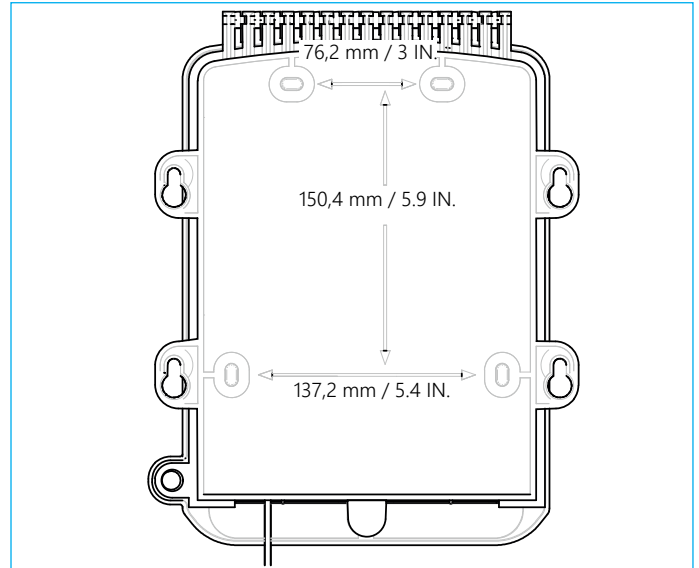
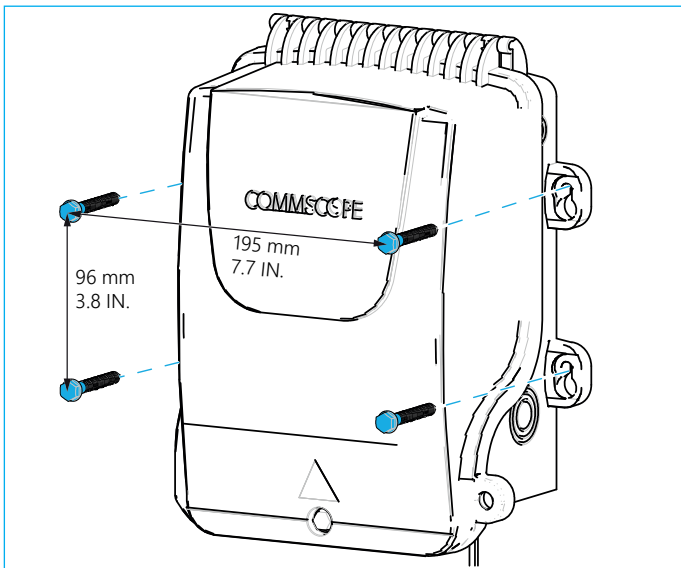


6.1 If applicable, remove the BUDI-R from the external spool by cutting the cable ties.

**Note:** Unwind the loop of cable within the lead loop holder.

6.2 Remove the cardboard cover.

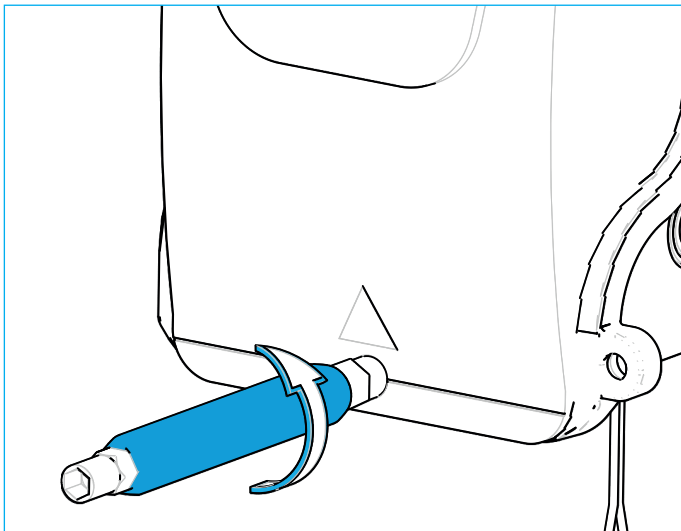
## 7 Mounting the BUDI-R



7.1 Use the BUDI-R as a template to mark the mounting screw locations on the wall selected for the installation location. (Inside or mounting ears at the outside the box).

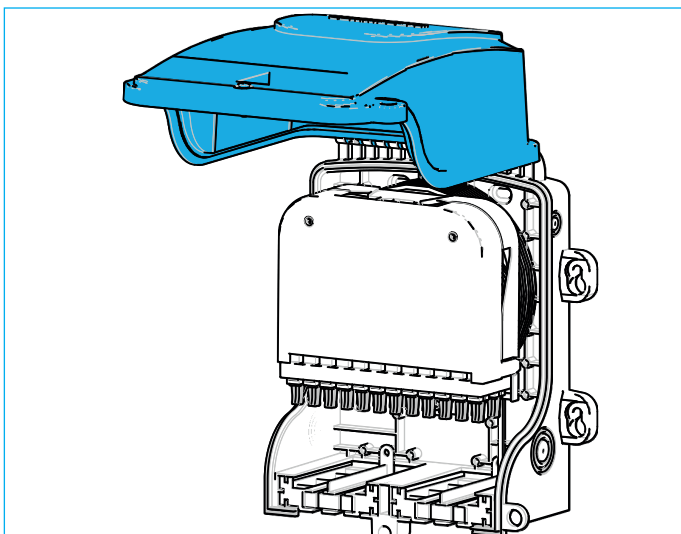
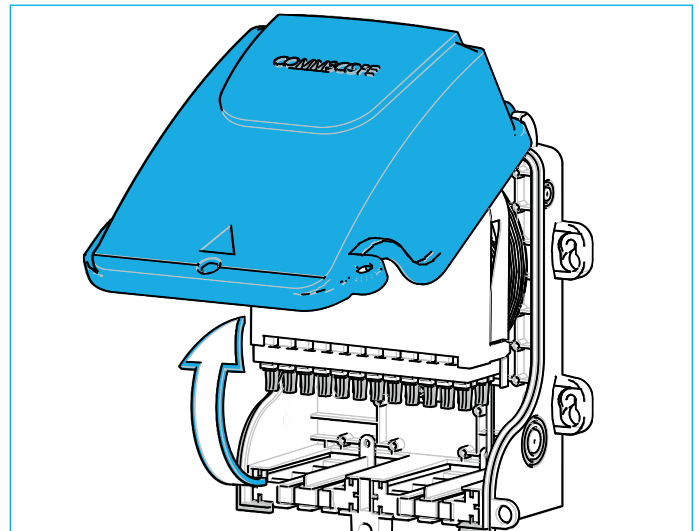
**Note:** Due to different local mounting practices, no mounting hardware is provided with the box.

**Note:** If necessary, reinforce the mounting surface with a 3/4" plywood panel.



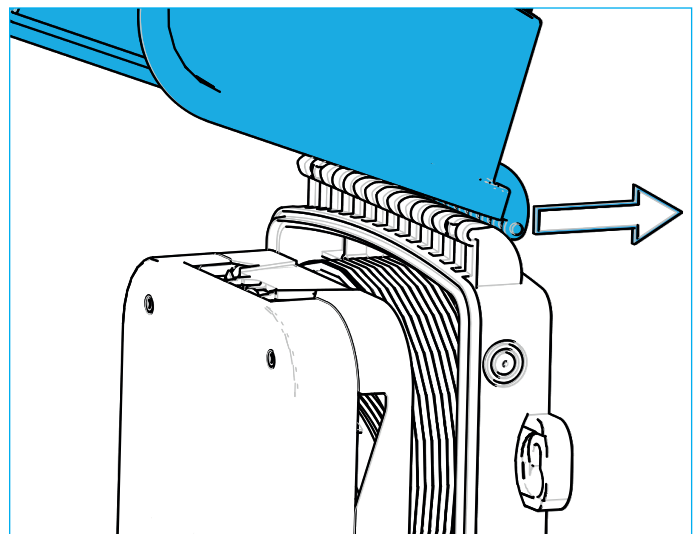
7.2 Rotate the screw counterclockwise to unlock.

7.3 Rotate the cover open.

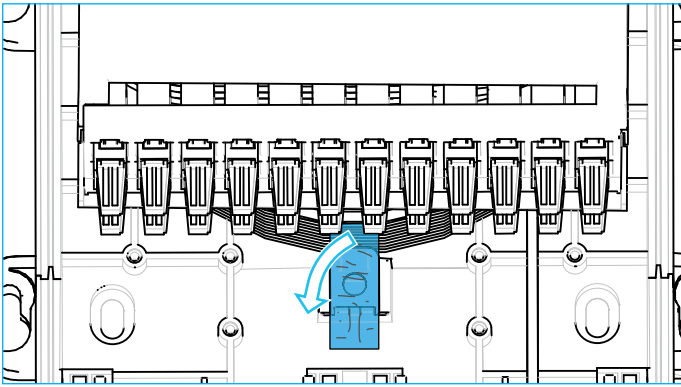


7.4 The cover can be locked at 90°.

7.5 The cover can be removed completely.

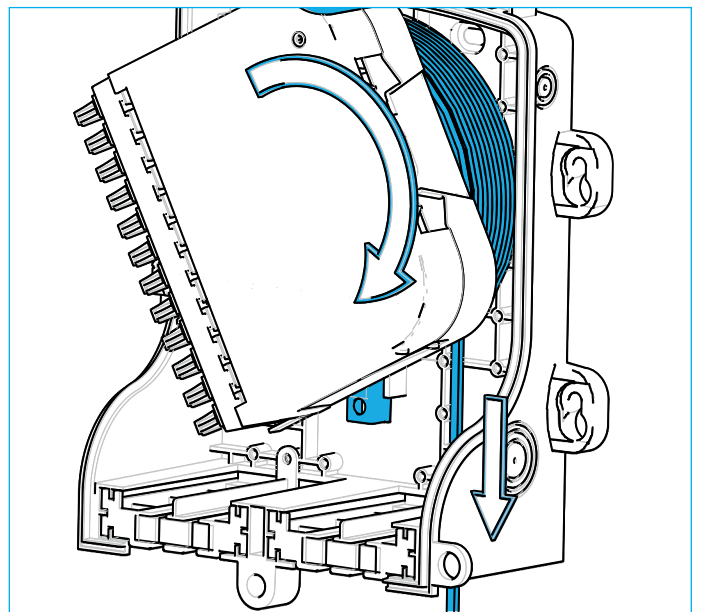
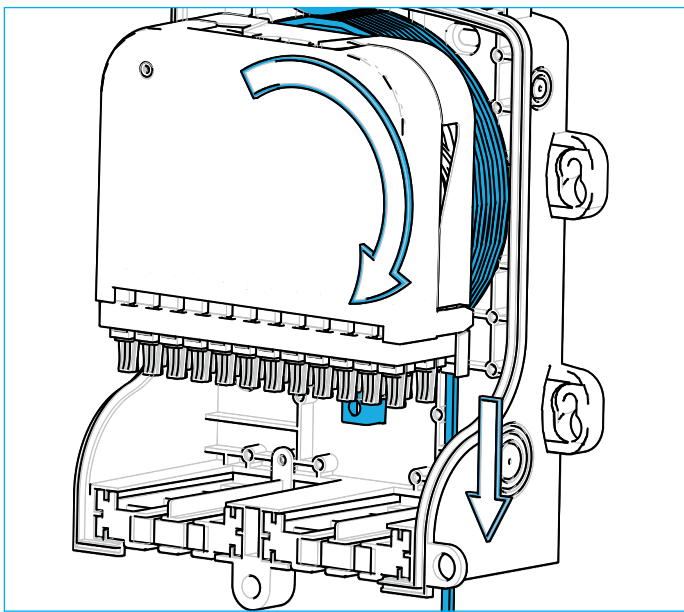
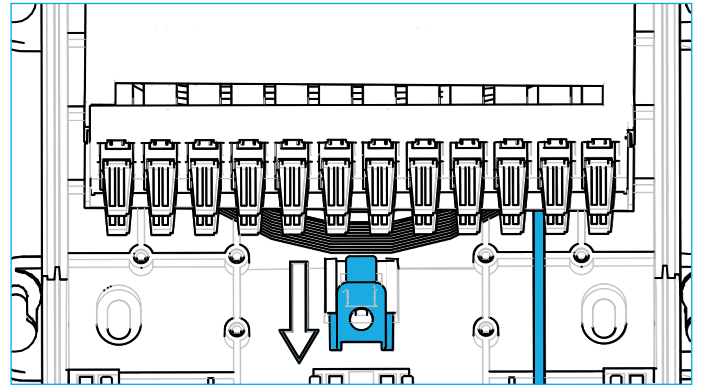


## 8 Paying out the cable on the internal spool

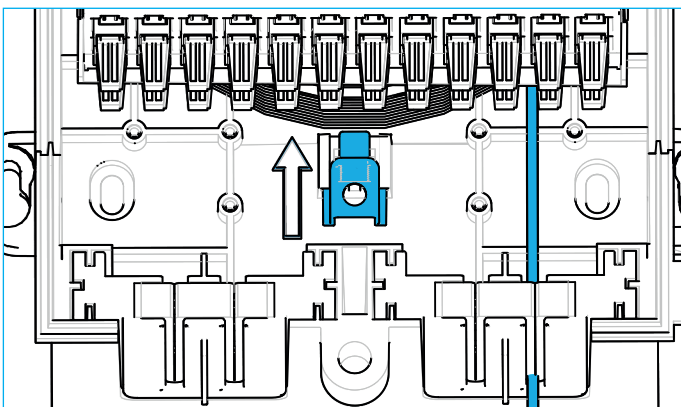


8.1 Remove the tape from the lock and spool and cut the cable tie securing MPO/HMFOC if applicable.

8.2 Loosen the fiber spool by sliding the lock backwards and pull the MPO/HMFOC connector out.

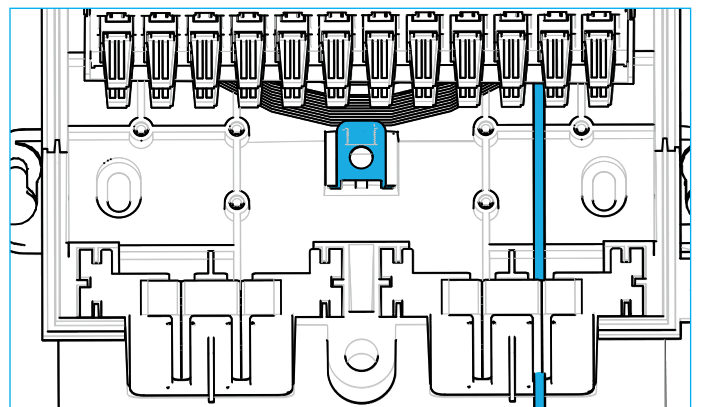


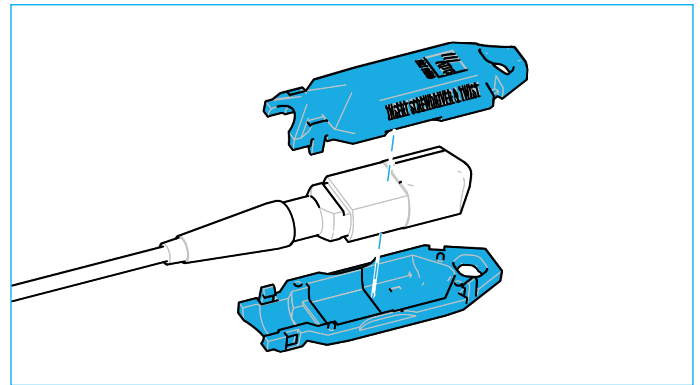
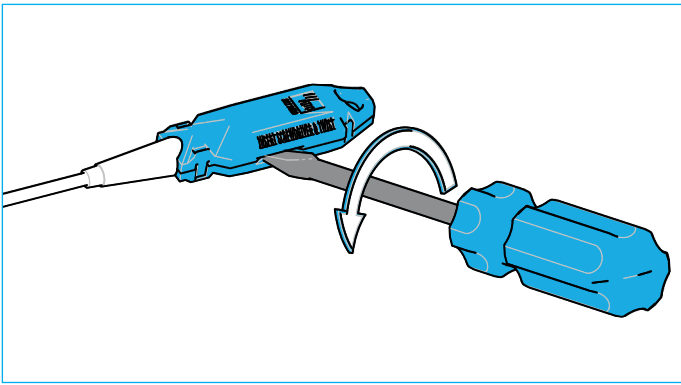
8.3 Unspool the MPO/HMFOC Cables and pay out any additional length of cable required at the termination point.



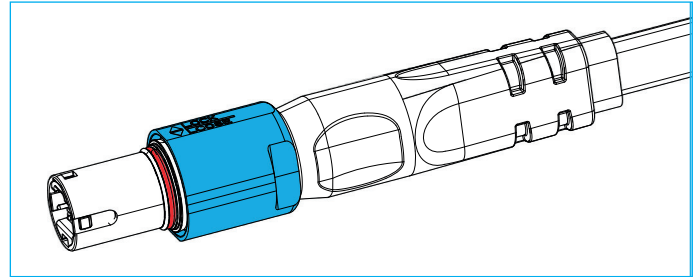
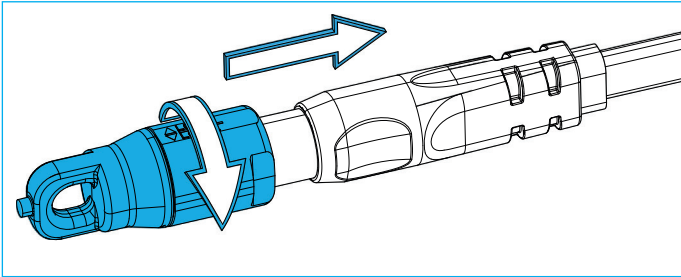
8.4 Rotate the fiber spool so the SC connectors are positioned facing down again. Position the spool and lock it in place.

8.5 Slide the cable between the foam seals at the bottom.





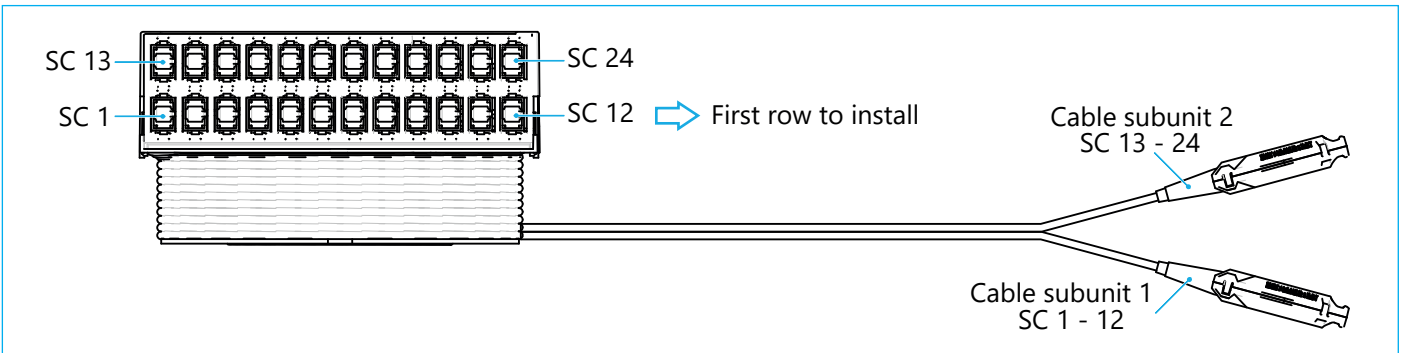
8.6 For **MPO connectors**: At the termination point, remove the pulling eye and connect the cable connector to the termination point adapter.



8.7 For **HMFOC connectors**: Remove the dustcap and connect the cable connector to the termination point adapter.

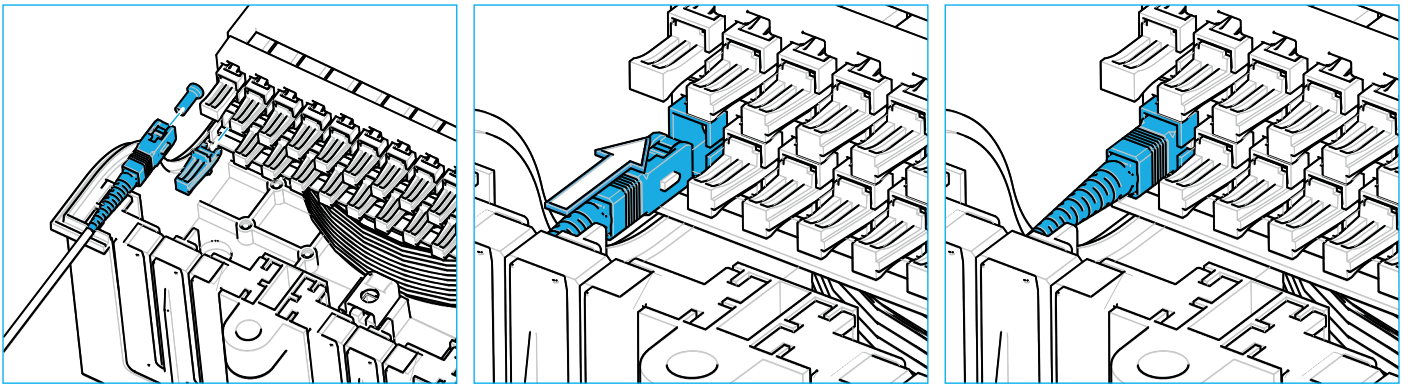
**Note:** the connectors are labeled. Make sure to select the correct connector to connect to the designated adapter port (see section 9.1).

## 9 Installing patch cords



9.1 Identify the correct SC adapter. Bottom row of the adapter pack (SC 1 - 12) correspond with cable subunit 1 (see brady label on connector at the cable end). Top row of the adapter pack (SC 13 - 24) correspond with cable subunit 2.

**Important:** It is important to install first bottom row (SC 1 - 12) adapters.



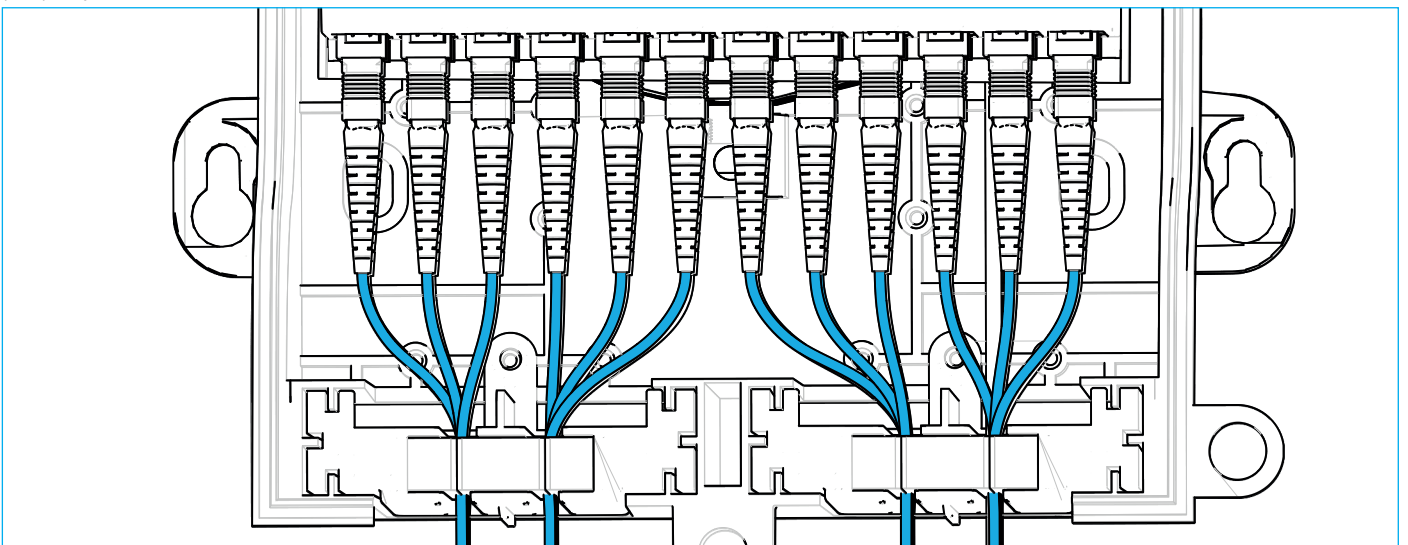
9.2 Remove dust cap from selected SC adapter and connector of the patch cord and clean per local practise.

**Note:** The adapter pack cover is removable for connector cleaning.

**Note:** Remove ferrule dust cap from one of the patch cord connectors and then clean connector as specified in the Optical Fiber Connector Wet and Dry Cleaning Instructions (ADCP-90-159) or by locally approved procedures.

9.3 Position the connector in the correct orientation (connector key facing to the right as shown in figure above).

9.4 Connect the SC-connectorized cable to its assigned port. A clicking sound is observed when the connector is properly seated.



9.5 Route the patch cords through the drop cable foam seal. The first 3 cords are routed to the first slot in the foam seal, second 3 cords to the next slot and so on. Same procedure for top and bottom row.

9.6 Label the circuits. Record circuit information on label located inside cover.



## **10 Trademarks and patents**

All trademarks identified by ® or ™ are registered trademarks or trademarks, respectively, of CommScope, Inc. This document is for planning purposes only and is not intended to modify or supplement any specifications or warranties relating to CommScope products or services. CommScope is committed to the highest standards of business integrity and environmental sustainability, with a number of CommScope's facilities across the globe certified in accordance with international standards, including ISO 9001, TL 9000, and ISO 14001.

Further information regarding CommScope's commitment can be found at [www.commscope.com/About-Us/Corporate-Responsibility-and-Sustainability](http://www.commscope.com/About-Us/Corporate-Responsibility-and-Sustainability).

This product may be covered by one or more U.S. patents or their foreign equivalents. For patents, see [www.cs-pat.com](http://www.cs-pat.com).

## **11 Contact information**

Visit our website or contact your local CommScope representative for more information.

For technical assistance, customer service, or to report any missing/damaged parts, visit us at: <http://www.commscope.com/SupportCenter>