

78EZHF-F



4.3-10 Female EZfit® Connector for 7/8 in AVA5-50, AVA5-50FX and AL5-50 cable.

Product Classification

Regional Availability	Asia EMEA Latin America
Product Type	Wireless and radiating connector
Product Brand	HELIAX®
Product Series	AL5-50 AVA5-50 AVA5-50FX AVA5RK-50
Warranty	Five years

General Specifications

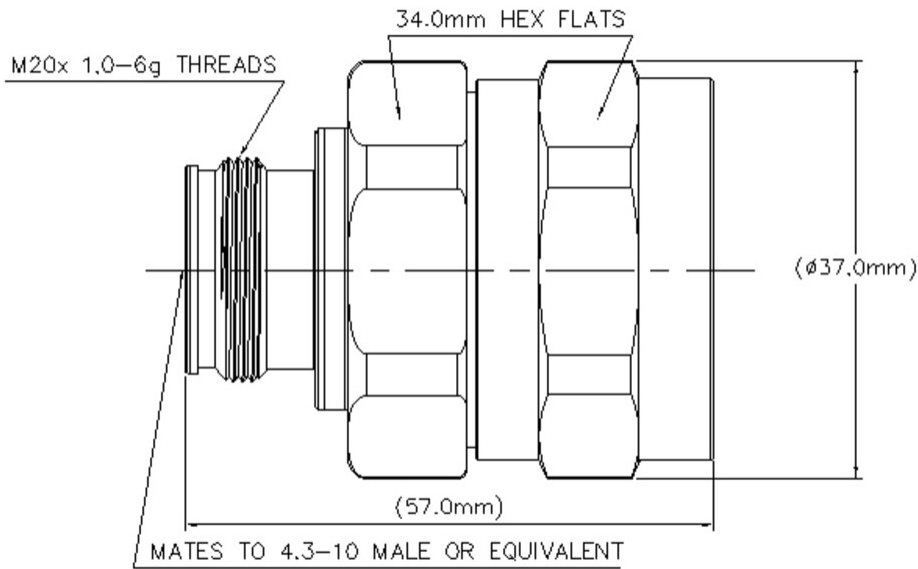
Body Style	Straight
Cable Family	AL5-50 AVA5-50 AVA5-50FX
Harmonized System (HS) Code	85366910 (Coaxial cable and other coaxial electric conductors)
Inner Contact Attachment Method	Captivated
Inner Contact Plating	Silver
Interface	4.3-10 Female
Mounting Angle	Straight
Outer Contact Attachment Method	Clamp
Outer Contact Plating	Trimetal

Dimensions

Length	57 mm 2.244 in
Diameter	37 mm 1.457 in
Nominal Size	7/8 in

Outline Drawing

78EZHF-F



Electrical Specifications

3rd Order IMD at Frequency	-116 dBm @ 900 MHz
3rd Order IMD Test Method	Two +43 dBm carriers
Insertion Loss Coefficient, typical	0.05
dc Test Voltage	2500 V
Impedance	50 ohm
Inner Contact Resistance, maximum	1 mOhm
Operating Frequency Band	0 – 5000 MHz
Outer Contact Resistance, maximum	1 mOhm
RF Operating Voltage, maximum (vrms)	707 V

Electrical Performance

78EZHF-F

Frequency Band	Gated Return Loss (dB) apply to AVA5 and AVA5FX cable	Return Loss (dB) apply to AVA5 and AVA5FX cable	Gated Return Loss (dB) apply to AL5 cable	Return Loss (dB) apply to AL5 cable
0.000 - 1.000 GHz	-38	-29	-34	-28
1.000 - 2.000 GHz	-36	-25.5	-33	-25.5
2.000 - 3.000 GHz	-33	-25.5	-32	-25.5
3.000 - 3.800 GHz	-33	-25.5	-32	-25
3.800 - 4.500 GHz	-27	-20	-34	-20
4.500 - 5.000 GHz	-24	-17	-28	-17

Mechanical Specifications

Attachment Durability	25 cycles
Connector Retention Tensile Force	1200 N 269.771 lbf
Connector Retention Torque	7.5 N-m 66.381 in lb
Coupling Nut Proof Torque	10 N-m 88.507 in lb
Insertion Force	66.72 N 14.999 lbf
Insertion Force Method	IEC 60068-2-21 Method Ua2
Interface Durability	100 cycles
Interface Durability Method	IEC 61169-54:9.5
Mechanical Shock Test Method	IEC 60068-2-27

Environmental Specifications

Operating Temperature	-45 °C to +85 °C (-49 °F to +185 °F)
------------------------------	--------------------------------------

78EZHF-F

Storage Temperature	-55 °C to +85 °C (-67 °F to +185 °F)
Attenuation, Ambient Temperature	20 °C 68 °F
Average Power, Ambient Temperature	40 °C 104 °F
Corrosion Test Method	IEC 60068-2-11
Immersion Depth	1 m
Immersion Test Mating	Mated
Immersion Test Method	IEC 60529:2001, IP68
Moisture Resistance Test Method	IEC 60068-2-3
Thermal Shock Test Method	IEC 60068-2-14
Vibration Test Method	IEC 60068-2-6

Packaging and Weights

Height, packed	248.92 mm 9.8 in
Width, packed	266.7 mm 10.5 in
Length, packed	266.7 mm 10.5 in
Packaging quantity	50
Weight, net	135.62 g 0.299 lb

* Footnotes

Warranty	For more information, please consult our Product Warranty guidelines
Insertion Loss Coefficient, typical	0.05√freq (GHz) (not applicable for elliptical waveguide)
Immersion Depth	Immersion at specified depth for 24 hours