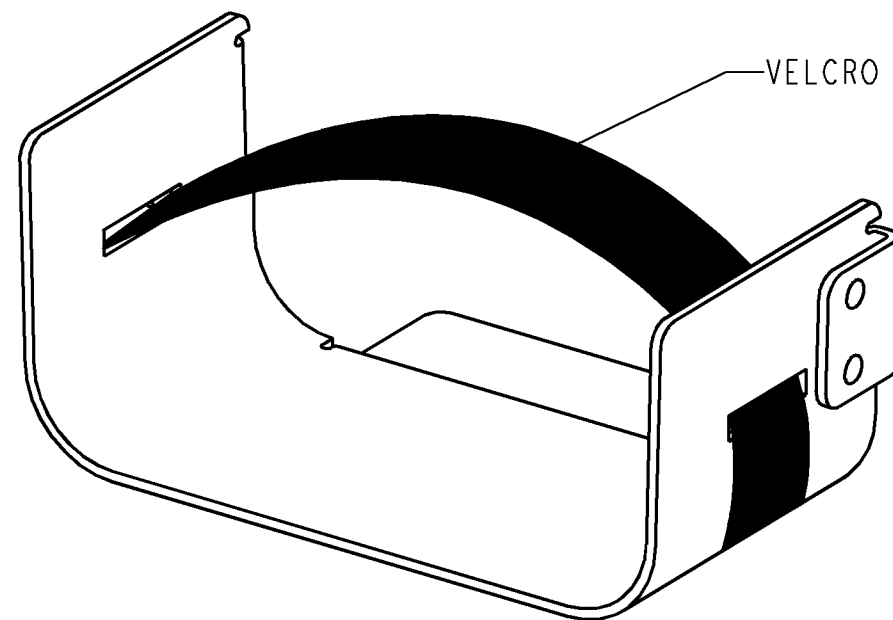
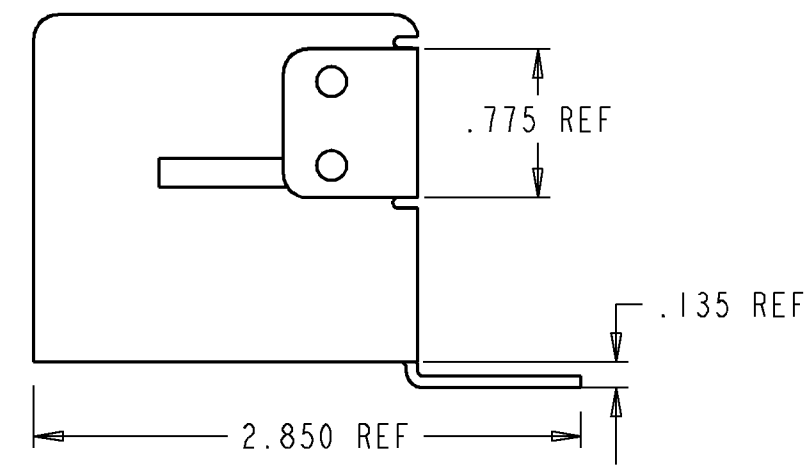
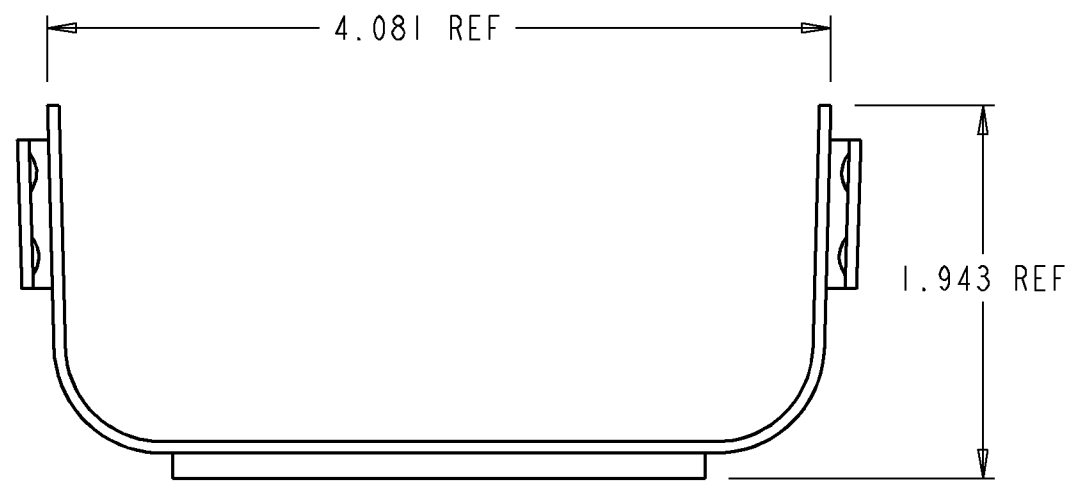
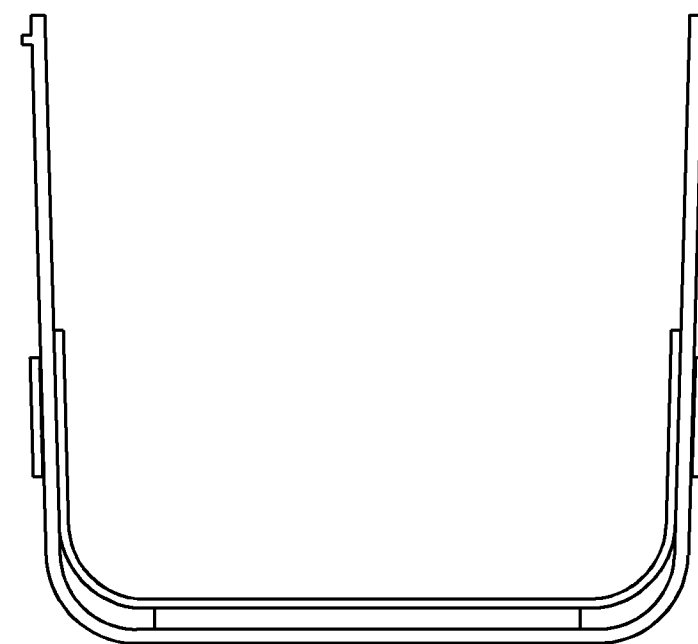


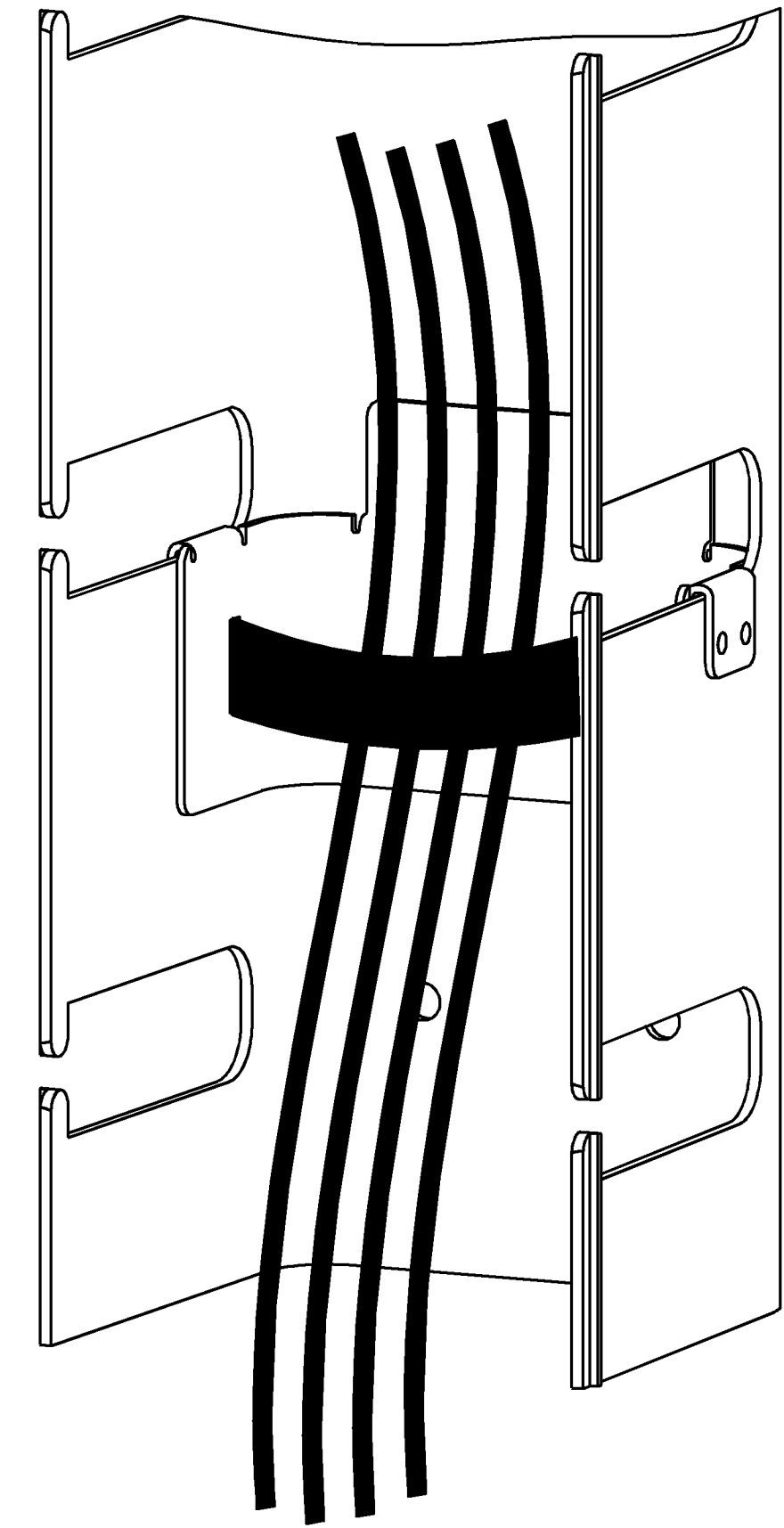
REV	MCO	DWN	DATE
A	20159244	GNM	04-JAN-05
B	20163946	GNM	09-FEB-05



ISO VIEW



MOUNTING FRONT VIEW



VERTICAL VIEW

NOTES:

1. KIT INCLUDES THE FOLLOWING ITEMS:
 (1) METAL BRACKET
 (1) VELCRO STRAP

ATTACHING THE METAL BRACKET TO THE VERTICAL FIBER GUIDE:

2. MATE THE METAL BRACKET TO THE VERTICAL FIBER GUIDE AS SHOWN. SIDE OF THE METAL BRACKET WILL NEED TO BE SQUEEZED INWARD SLIGHTLY.

3. USE THE VELCRO STRAP TO RETAIN CABLE FIBERS TOWARD THE REAR OF THE RACEWAY.



<small>INFORMATION ON THIS DOCUMENT IS PROPRIETARY TO ADC AND SHALL NOT BE USED, COPIED, REPRODUCED OR DISCLOSED IN WHOLE OR IN PART WITHOUT WRITTEN CONSENT OF ADC.</small>		TITLE BRACKET FOR VERTICAL 4X4 FIBER GUIDE	
<small>ALL DIMS AND TOLERANCES ARE INCHES UNLESS OTHERWISE SPECIFIED</small>	<small>.XX:±N/A .XXX:±N/A ANGULAR:±N/A</small>	C <small>SIZE</small>	DRAWING NUMBER 1313014
DO NOT SCALE DRAWING		ENGR: C. ARROYO DWN: J. GABRIEL NERI	B <small>REV</small> SHT. 1 OF 1

**DIMENSIONS IN INCHES
THIRD ANGLE PROJECTION**