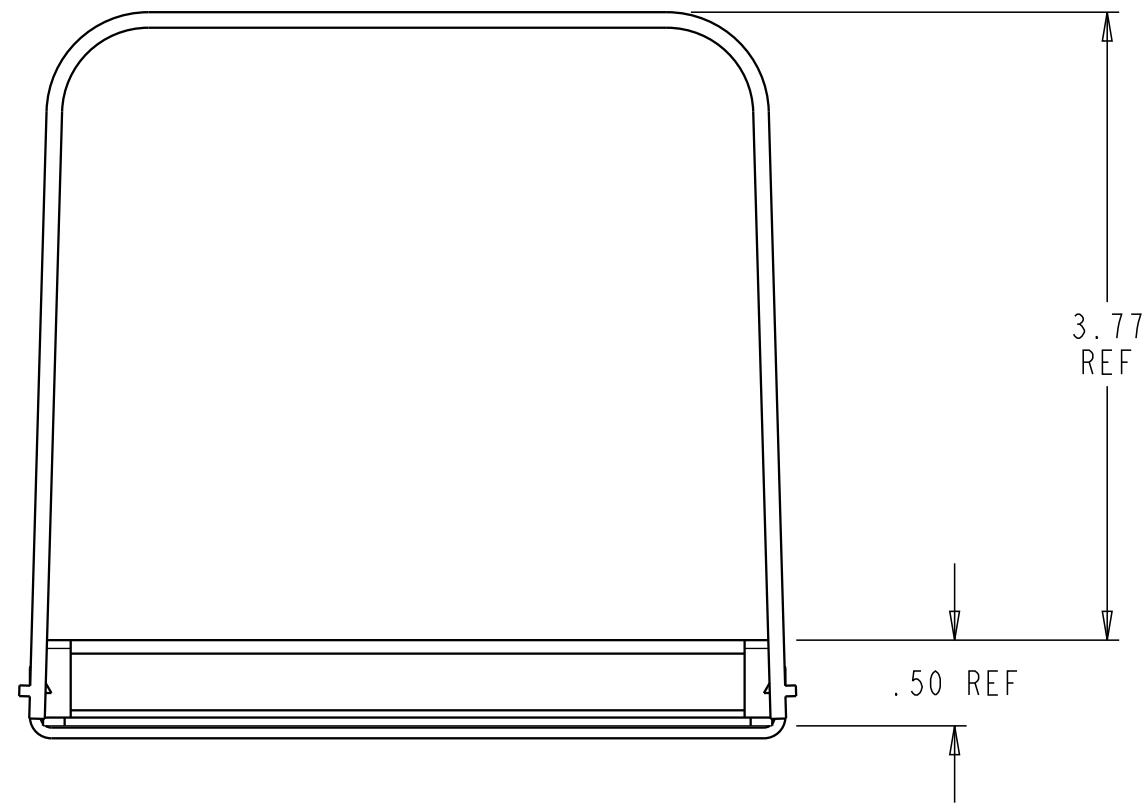
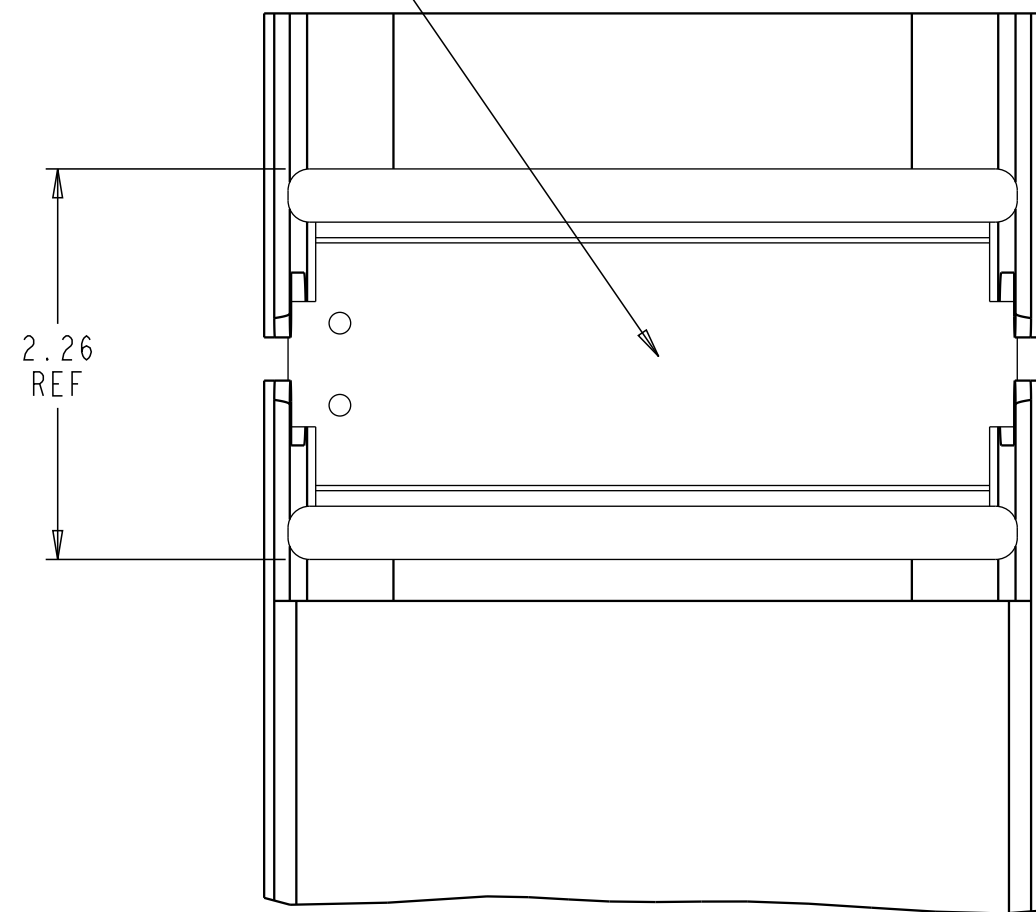


REV.	MCO	DWN	DATE
B	40022757MCO	RAT	04-SEP-15
C	8000018631	OAVL	29-DEC-16

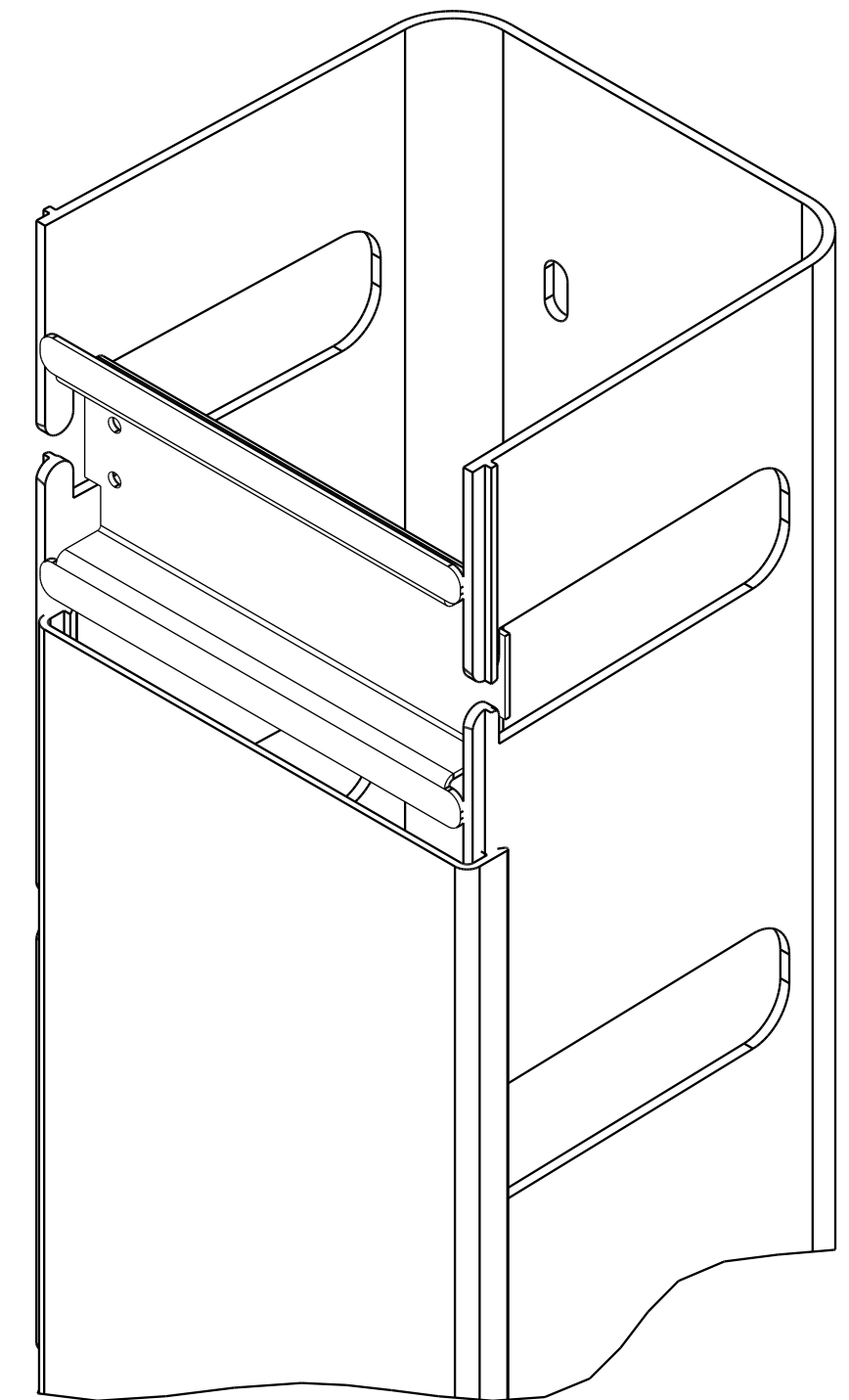
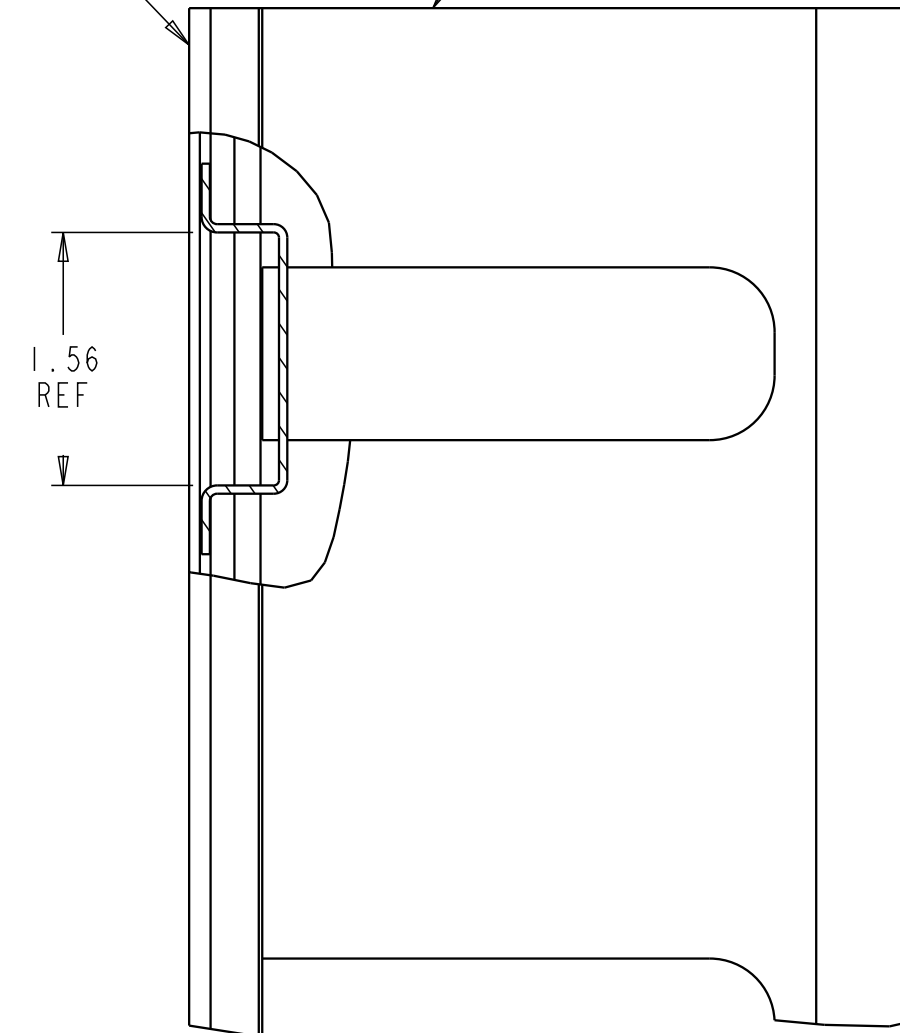


4 X 4 RETAINER CLIP



4 X 4 VERTICAL FIBERGUIDE COVER REF

4 X 4 VERTICAL FIBERGUIDE STRAIGHT SECTION REF



NOTES:

1. SLIDE COVER DOWN TO MIDWAY BETWEEN THE FIRST AND SECOND SLOT ON THE STRAIGHT SECTION.
2. INSERT COVER RATAINER AS SHOWN, ENSURING THAT THE (2) SQUARED TABS ARE INSERTED IN SLOTS IN STRAIGHT SECTION, AND THE (4) ROUNDED TABS ARE ON TOP OF THE STRAIGHT SECTION.
3. SLIDE THE COVER UP, OVER THE (4) ROUNDED TABS ON THE COVER RATAINER, BACK TO THE ORIGINAL POSITION.
4. COVER RATAINER CAN ALSO BE INSERTED IN THE LAST SLOT ON THE STRAIGH SECTION. INSTALLATION IS THE SAME, AFTER SLIDING THE COVER UP TO MIDWAY BETWEEN THE LAST AND SECOND TO LAST SLOTS ON THE STRAIGHT SECTION.

COMMSCOPE, INC.

© 2016 COMMSCOPE, INC. CONFIDENTIAL NOTICE: THESE DRAWINGS AND SPECIFICATIONS ARE THE PROPRIETARY PROPERTY OF COMMSCOPE, INC. AND MAY BE USED ONLY FOR THE SPECIFIC PURPOSE AUTHORIZED IN WRITING BY COMMSCOPE, INC.		TITLE 4 X 4 VERTICAL COVER RETAINER CLIP I.D.	
ALL DIMS AND TOLERANCES ARE INCHES UNLESS OTHERWISE SPECIFIED	.XX:±.xx .XXX:±.xxx ANGULAR:±N/A	C SIZE	DRAWING NUMBER 1108607_ADC
DO NOT SCALE DRAWING	ENGR: KEVIN HRUBY DWN: CRAIG ZELASKO	SHT. 1 OF 1	C REV

DIMENSIONS IN INCHES
THIRD ANGLE PROJECTION