

Faceplates – Product Information and Installation

General

CommScope® offers a wide array of faceplates that support many types of applications. This instruction sheet supports some of the faceplates that are offered, and all of the products referenced in this document are designed to be used with the M-series Category 6, 5e, and 3 outlets. The faceplates are available in ivory, white, black, gray, and almond colors and in a 1-, 2-, 3-, 4-, and 6-port configuration. There are also faceplates available in stainless steel, brass, bronze, and dark bronze.

Ordering information is listed below:

Part No.	Description
M10LW-	Outlet wall faceplate, 1-port
M10L-	Modular outlet faceplate, 1-port
M13C-	Modular furniture faceplate, 3-port
M14CE-	Modular furniture faceplate, 4-port
M14CE-E-	Modular furniture faceplate, 0.08 snap, 4-port
M14CE-E-	Modular furniture faceplate, 0.125 snap, 4-port
M14CH-	Designer furniture faceplate, 4-port
M12L-	Outlet faceplate, 2-port
M14L-	Outlet faceplate, 4-port
M16L-	Outlet faceplate, 6-port
M28L-	Double gang outlet faceplate, 8-port
M12AP-	Vertical outlet faceplate, 2-port
M13L-	Vertical outlet faceplate, 3-port
M4CA-	Variable furniture faceplate
M10LE-	Designer faceplate, 1-port
M12LE-	Designer faceplate, 2-port
M13LE-	Designer faceplate, 3-port
M14LE-	Designer faceplate, 4-port
M16LE-	Designer faceplate, 6-port
M106FR2-	Modular mounting frame (106 style), 2-port
M106FR4-	Modular mounting frame (106 style), 4-port
M108FR1-	Modular mounting frame (decora style), 1-port
M108FR3-	Modular mounting frame (decora style), 3-port
M26FP-	Flexible double gang frame
M13FP-	Flexible single gang frame
M13FP-TR1-	Tamper-resistant, single gang base, low profile cover
M13FP-TR-	Tamper-resistant faceplate, single gang base, high profile cover
M13FP-TRC1	Tamper-resistant low profile cover, single gang
M13FP-TRC	Tamper-resistant high profile cover, single gang

Note: Except for metal faceplates, most faceplates are available in the following 4 or 5 colors designated by the listed 3-digit numbers at the end of the ordering number.

262 – White, 003 – Black, 270 – Gray, 246 – Ivory, 148 – Almond



Part No.	Description
M10LW	Stainless steel phone plate, 1-port
M10LW4	Stainless steel 4-inch (102mm) phone plate, 1-port
M11SP	Stainless steel faceplate, 1-port
M12SP	Stainless steel faceplate, 2-port
M13SP	Stainless steel faceplate, 3-port
M14SP	Stainless steel faceplate, 4-port
M16SP	Stainless steel faceplate, 6-port
M11SP-L	Stainless steel faceplate with label, 1-port
M12SP-L	Stainless steel faceplate with label, 2-port
M13SP-L	Stainless steel faceplate with label, 3-port
M14SP-L	Stainless steel faceplate with label, 4-port
M16SP-L	Stainless steel faceplate with label, 6-port
M24SP-L	Stainless steel double gang faceplate with label, 4-port
M28SP-L	Stainless steel double gang faceplate with label, 8-port
M13CLS-	Multimedia faceplate, 3-port
M12B	Brass faceplate, 2-port, single gang
M13B	Brass faceplate, 3-port, single gang
M14B	Brass faceplate, 4-port, single gang
M13BB	Bronze faceplate, 3-port, single gang
M26BDSB	Brushed dark statuary bronze faceplate, 6-port, double gang

Note: Except for metal faceplates, most faceplates are available in the following 4 or 5 colors designated by the listed 3-digit numbers at the end of the ordering number.

262 – White, 003 – Black, 270 – Gray, 246 – Ivory, 148 – Almond

How to Contact Us

- To find out more about **CommScope**[®] products, visit us on the web at www.commscope.com/
- For technical assistance:
 - Within the United States, contact your local account representative or technical support at 1-800-344-0223. Outside the United States, contact your local account representative or **PartnerPRO**[™] Network Partner.
 - Within the United States, report any missing/damaged parts or any other issues to **CommScope** Customer Claims at 1-866-539-2795 or email to claims@commscope.com. Outside the United States, contact your local account representative or **PartnerPRO** Network Partner.

Parts List

Each faceplate package will contain one faceplate and two or four screws depending on whether the faceplate is a single or double gang unit. Faceplates equipped with label holders will be supplied with the appropriate number of clear label covers and paper labels. The designer faceplates will also have opaque covers that can be used in place of the clear label covers if desired. The stainless steel phone plate is supplied with two screws that have mushroomed shaped heads that are used for supporting wall-mount phones or other wall-mount devices.

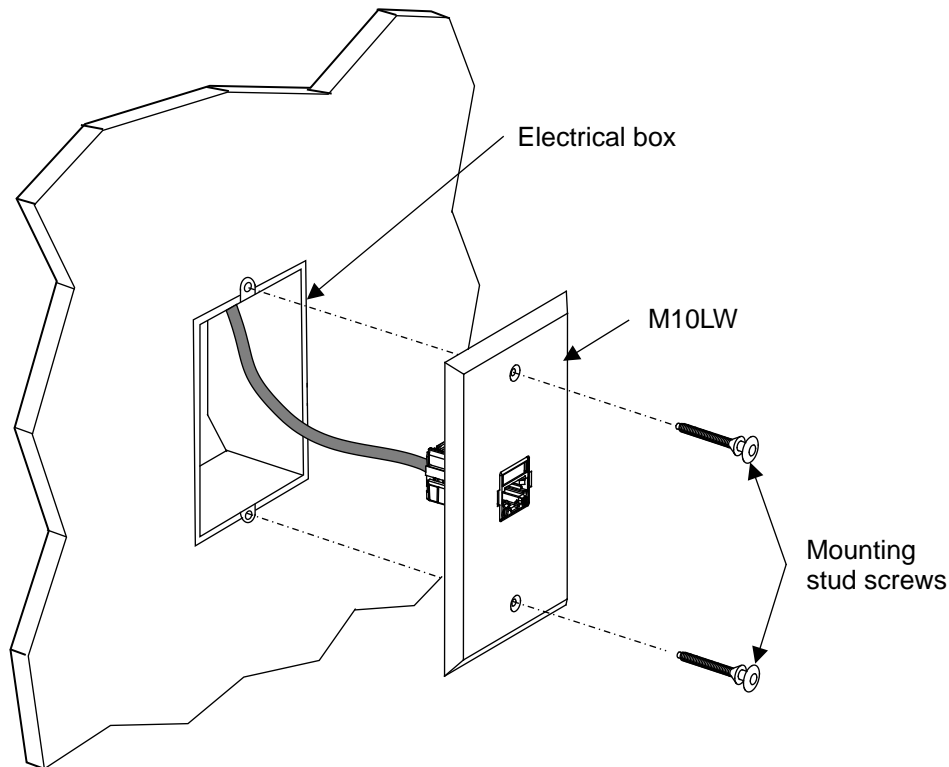
Step 1 – Terminate and Install Information Outlets

1. Route cables into the electrical wall box.
2. Prepare cables per local practices and terminate outlets per the instructions included with the M-series information outlets.

Note: Always use care to minimize movement and stress on the exposed twisted-pair conductors near the outlets.

3. Once terminated, snap the outlets into the back of the faceplate. The outlets should be mounted such that the mating plugs (once connected) will have their release tabs located toward the bottom of the faceplate.

Step 2 – Install Faceplate



1. Store slack cable in the wall box and position the faceplate over the box opening.
2. Line up mounting holes on the faceplate with holes in the electrical box and using the two screws provided, secure the faceplate to the box.

Note: Phones and other devices designed to mount on the M10LW stainless steel phone plate studs should be mounted using the instructions that come with the phone or other device.

Step 3 – Labeling

1. If the faceplate is equipped with label holders, mark the paper labels with the necessary information and place in the recessed area on the faceplate.
2. Cover the paper label with a clear plastic cover. Opaque covers can be used in the recessed areas on the designer faceplates if desired.