

4

3

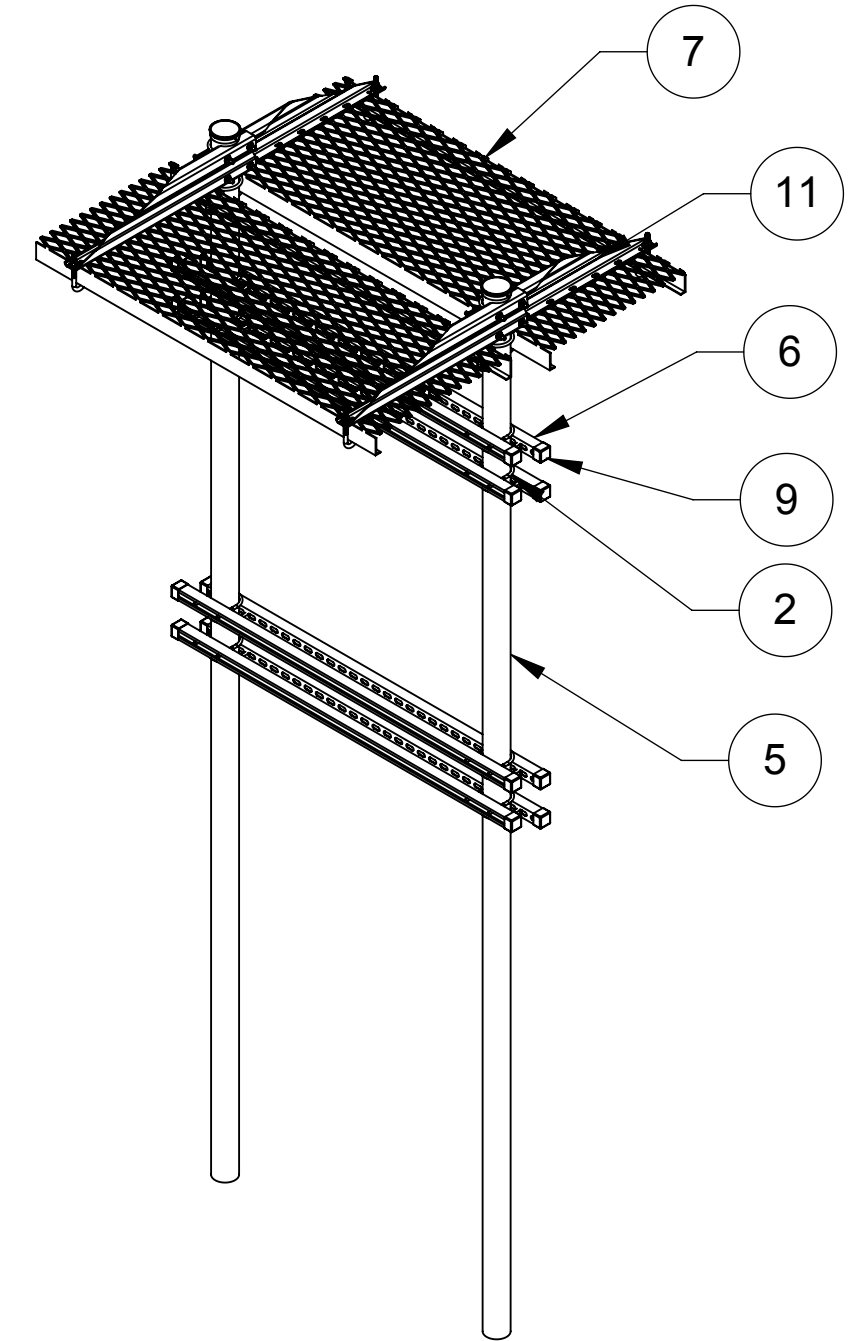
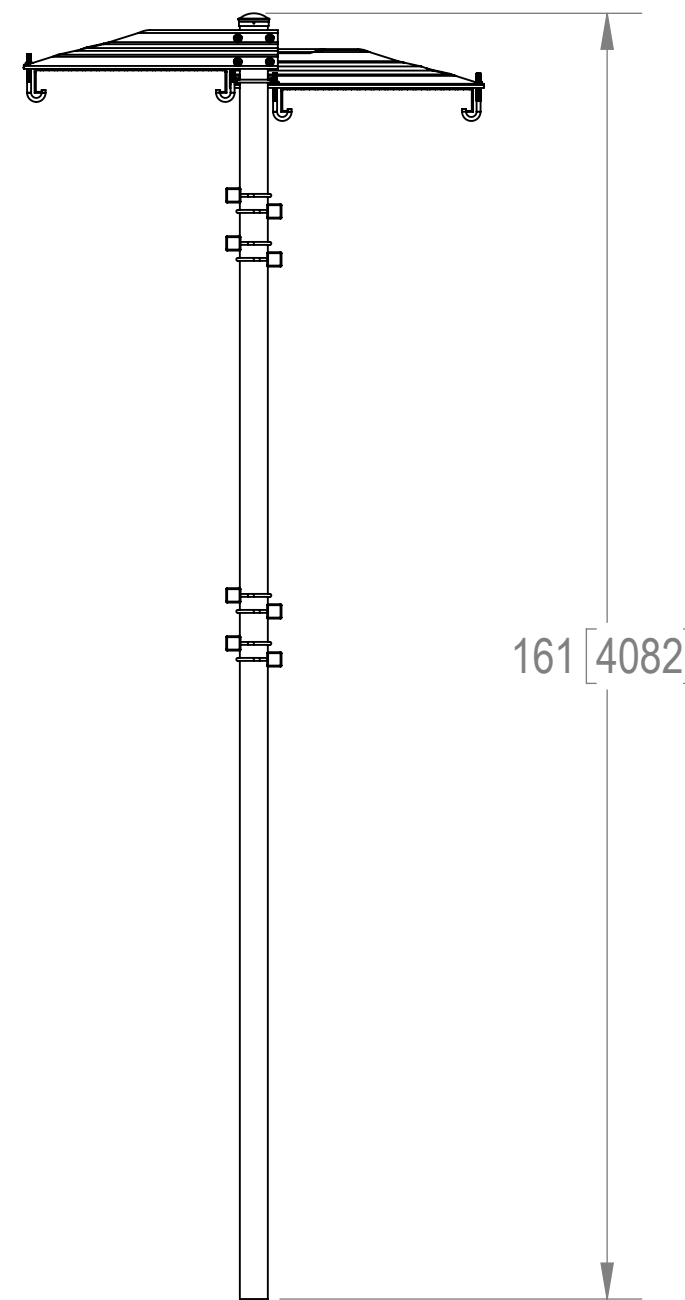
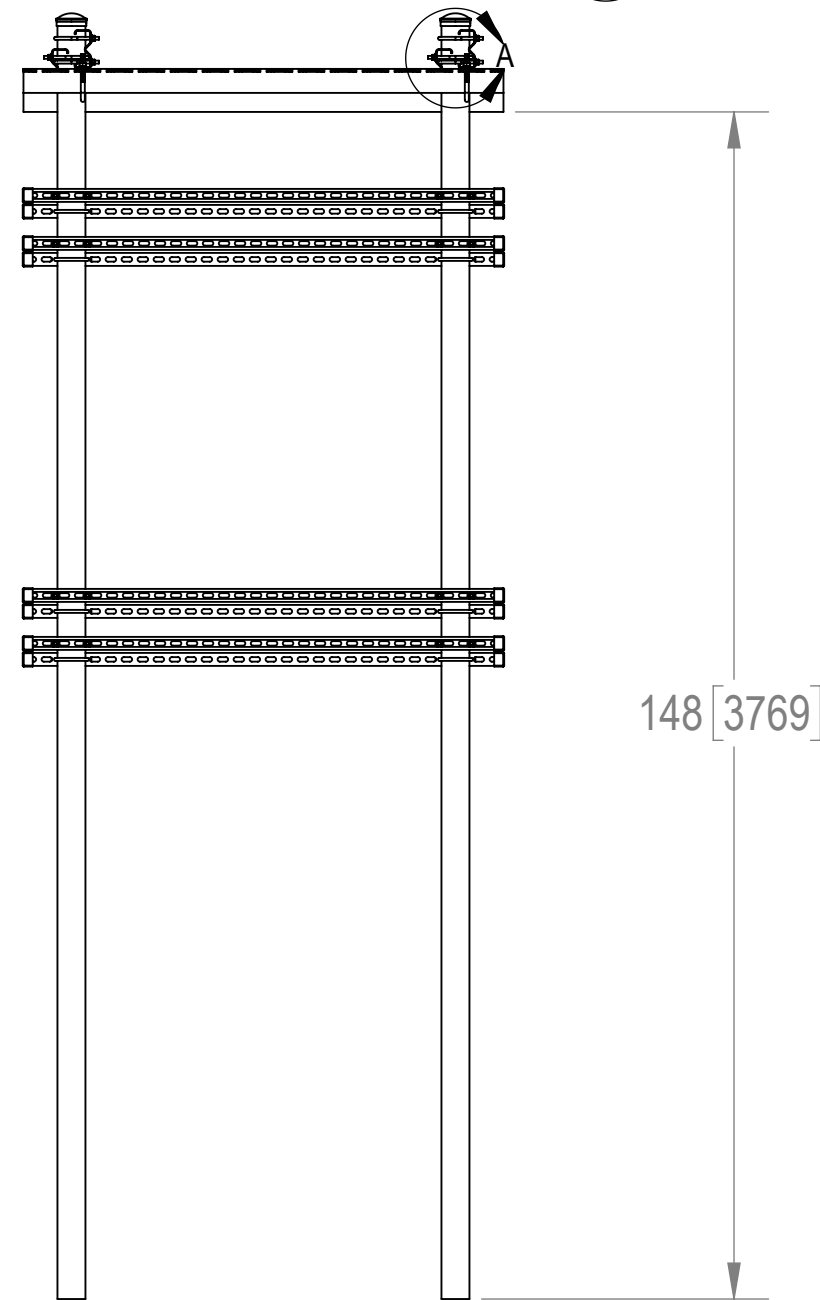
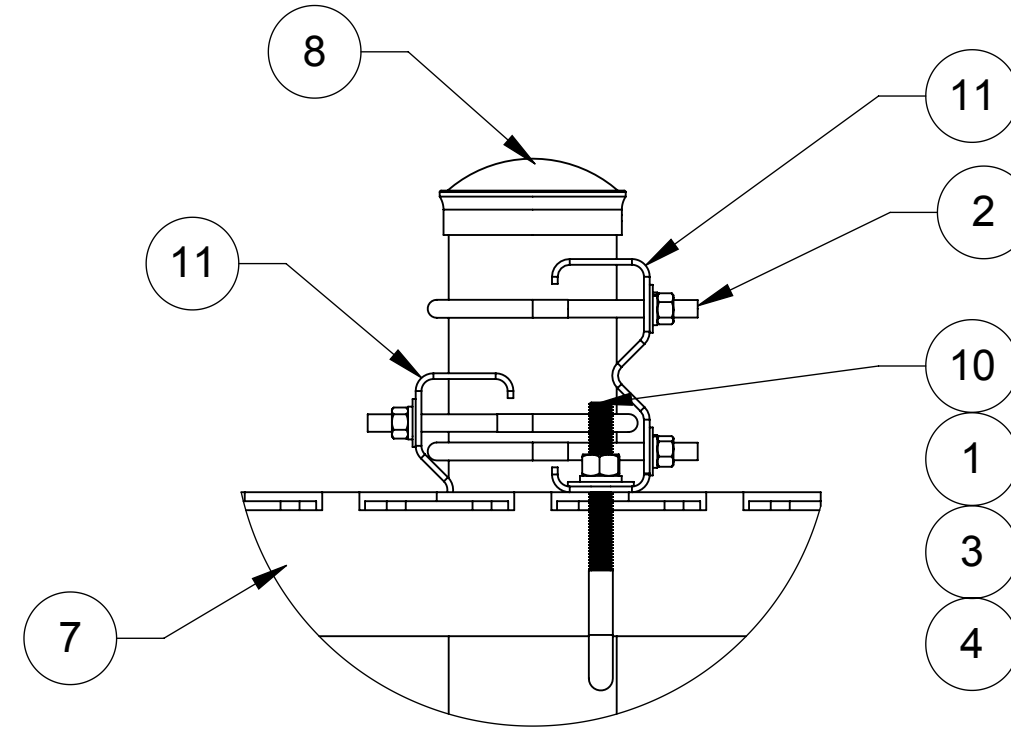
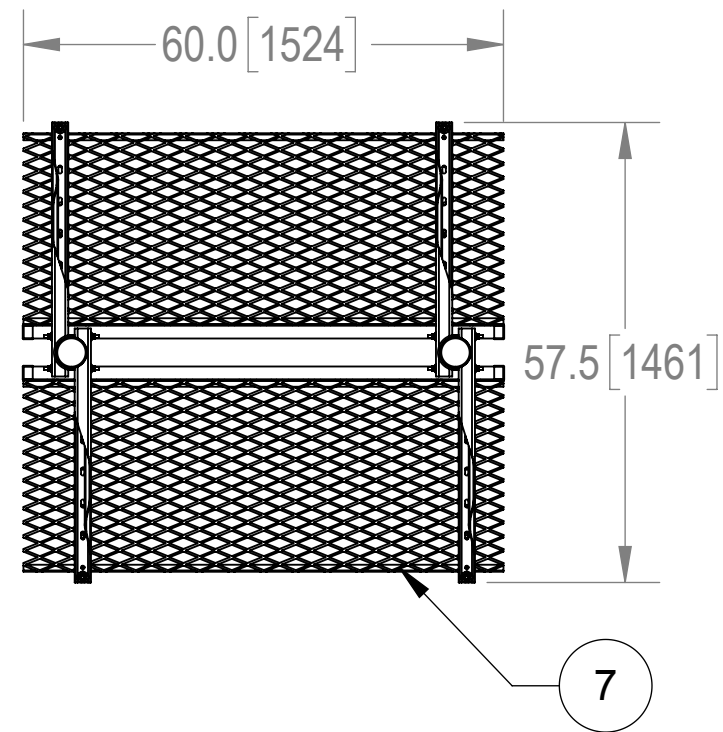
2

1

NOTES:

- 1.0 GENERAL
- 1.1 ALL METRIC DIMENSIONS ARE IN BRACKETS
- 2.0 DESIGN NOTES
- 3.0 MANUFACTURING/SPECIAL REQUIRMENTS
- 4.0 TEST
- 5.0 PACKAGING

REVISIONS				
REV.	ECN	DESCRIPTION	BY	DATE
A	8000034299	INITIAL RELEASE	MRC	03/08/19



ITEM	PART NO.	DESCRIPTION	QTY.	WEIGHT	NOTE NO.
1	GN-04	1/2" GALV HEX NUT	8	0.04 LBS	
2	GUB-3355	3/8" X 3-5/8" X 5-1/4" GALV U-BOLT	24	0.40 LBS	
3	GWL-04	1/2" GALV LOCK WASHER	8	0.01 LBS	
4	GWF-04	1/2" GALV FLAT WASHER	8	0.03 LBS	
5	MF-130	Ø 3.5" O.D. X 13'-4" DIRECT BURIAL PIPE COLUMN	2	57.45 LBS	
6	MT50460	SQ. SUPPORT RAIL 60" LONG	8	9.27 LBS	
7	MTC9232.05	SAFETY GRATING 24" X 5'	2	55.50 LBS	
8	PC-034	PIPE CAP 3-1/2"	2	0.66 LBS	
9	PTCR01	END CAP	16	0.05 LBS	
10	WBJB6	1/2" J-BOLT	8	0.41 LBS	
11	WBLB24308	24" WAVEGUIDE BRIDGE SUPPORT BRACKET	4	7.14 LBS	

DENSITY	0.28	lbs/in ³
MASS	325.44	lbs
VOLUME	1128.73	in ³
SURFACE AREA		in ²
HEIGHT		
LENGTH		
WIDTH		

COMMSCOPE, INC. OF NORTH CAROLINA

TOLERANCES		SAP MATERIAL MASTER						
0 PLACE X ± .25	2 PLACE .XX ± 0.06	MRC401560HC						
1 PLACE .X ± 0.12	ANGLES ± 2°							
FINISH GALV A123		MATERIAL A500, A568, A1011/A1018						
UNLESS OTHERWISE SPECIFIED DIMENSIONS ARE IN INCHES INTERPRET PER ANSI Y 14.5M-1994	NAME	DATE	TITLE					
	CE MRC	03/08/19	H-FRAME, 2 POSTS, 8 UNISTRUTS, COVERED					
	RW MCT1107	03/12/2019						
	RV							
AD RD1048	03/14/2019							
RE RD1048	03/14/2019	SCALE	DOCUMENT NO.					
ECN 008000034299		1:24	MTC401560HC					
SIZE	WORK AREA 24	MODEL						
C		VERSION	STATUS	REVISION	VERSION	STATUS	REVISION	SHEET
		00	RE	A	00	RE	A	1 OF 1

4

3

2

1