

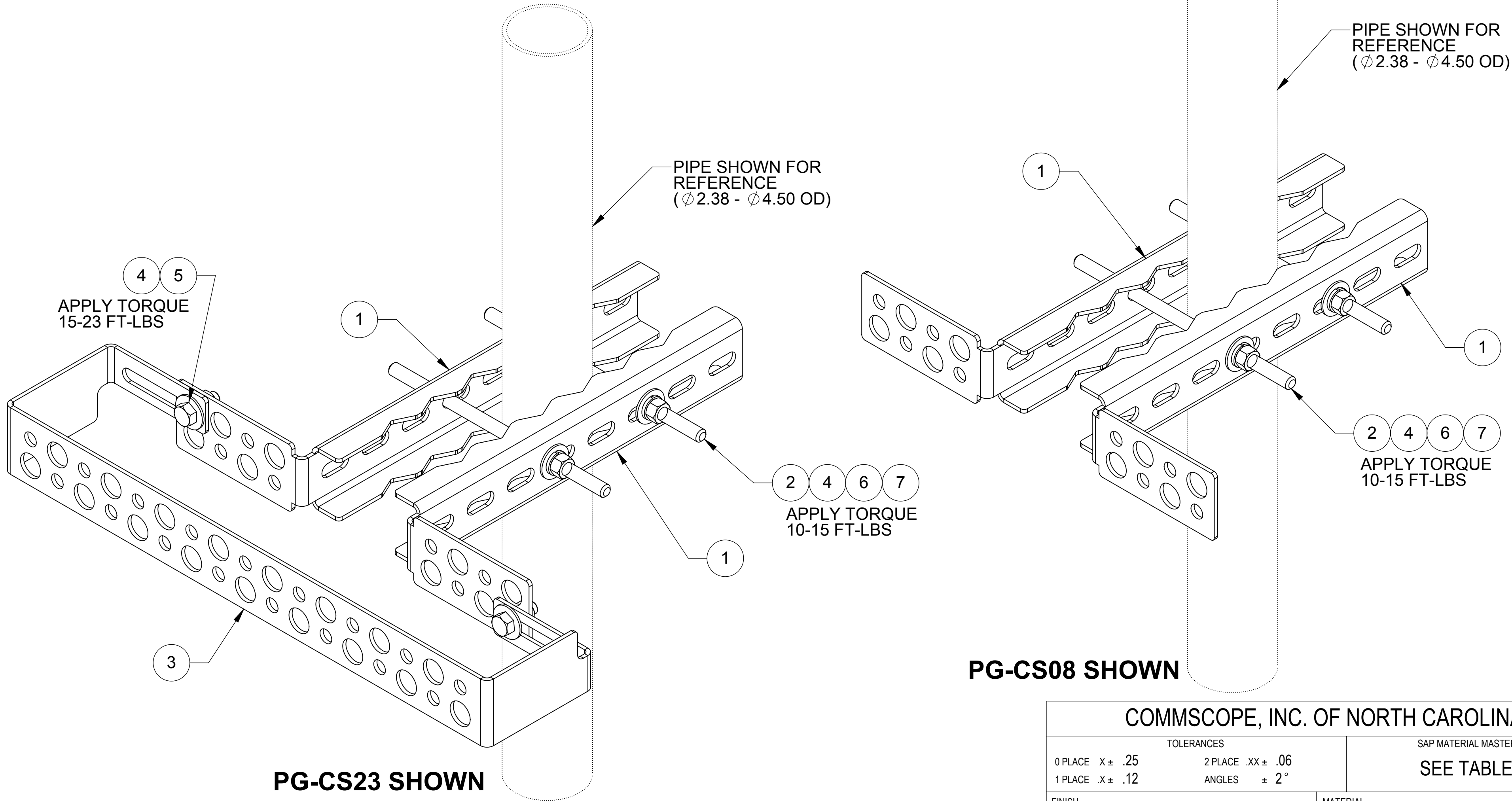
NOTES:

- 1.0 GENERAL NOTES
 - 1.1 ALL METRIC DIMENSIONS ARE IN BRACKETS.
 - 1.2 MARK PART WITH IDENTIFICATION NUMBER.
- 2.0 DESIGN NOTES
- 3.0 MANUFACTURING/SPECIAL REQUIREMENTS
 - 3.1 INSTALL WITH TORQUE WRENCH SET AT 10 TO 15 FT-LB TO MEET CARRIER PIM REQUIREMENTS.
- 4.0 TEST
- 5.0 PACKAGING

PRODUCT	BRACKET (QTY 1)	CLAMPS (QTY 2)	HARDWARE BAG #1 (QTY 1)	HARDWARE BAG #2 (QTY 1)
PG-CS08	-	PGCS02	PGCSHB1	-
PG-CSEB17	PGCS18	-	-	PGCSHB2
PG-CS23	PGCS18	PGCS02	PGCSHB1	PGCSHB2

REVISIONS				
REV.	ECN	DESCRIPTION	BY	DATE
A	8000030568	INITIAL RELEASE	RDLS	07/02/18
B	8000030952	ADDED BOM TABLE AND SHEET 2	RJC	09/10/18
C	8000032000	PGCS02 WAS PGCS01	RJC	10/19/18
D	8000032906	ADD TORQUE SPEC NOTES & FIXED MATERIAL CALLOUT	RJC	12/05/18

INSTALL WITH TORQUE WRENCH SET AT 10 TO 15 FT-LB TO MEET CARRIER PIM REQUIREMENTS



COMMSCOPE, INC. OF NORTH CAROLINA									
TOLERANCES					SAP MATERIAL MASTER				
0 PLACE X ± .25		2 PLACE .XX ± .06			SEE TABLE				
1 PLACE .X ± .12		ANGLES ± 2°							
FINISH GALV A123					MATERIAL A1011 D				
UNLESS OTHERWISE SPECIFIED DIMENSIONS ARE IN INCHES INTERPRET PER ANSI Y 14.5M-1994	CE	RDLS	06/28/18	PG-CS SERIES					
	RW	BCAMPBELLCON	12/11/2018						
	RV								
	AD	MC1107	12/11/2018						
	RE	RD1048	12/11/2018						
ECN 008000032906				SCALE 1:2	DOCUMENT NO. PG-CS SERIES				
SIZE C	WORK AREA	24	MODEL			DRAWING			SHEET 1 OF 2
	VERSION 04	STATUS RE	REVISION C	VERSION 06	STATUS RE	REVISION D			

ITEM	PART NO.	DESCRIPTION	QTY.	WEIGHT	NOTE NO.
1	PGCS02	CLAMP, CABLE SUPPORT, 6 NOTCHES	2	1.54 LBS	
2	GD03800	3/8" X 8" GALV THREADED ROD	2	0.25 LBS	
3	PGCS18	BRACKET, 18" LONG CABLE SUPPORT	1	1.66 LBS	
4	GWF-03	3/8" GALV FLAT WASHER	6	0.01 LBS	
5	GB-03105	3/8" X 1" GALV BOLT KIT	2	0.05 LBS	
6	GWL-03	3/8" GALV LOCK WASHER	4	0.01 LBS	
7	GN-03	3/8" GALV HEX NUT	4	0.02 LBS	

DENSITY	lbs/in ³
MASS	lbs
VOLUME	in ³
SURFACE AREA	in ²
HEIGHT	2.5
LENGTH	18.0
WIDTH	5.0

4

3

2

1

NOTES:

D

D

C

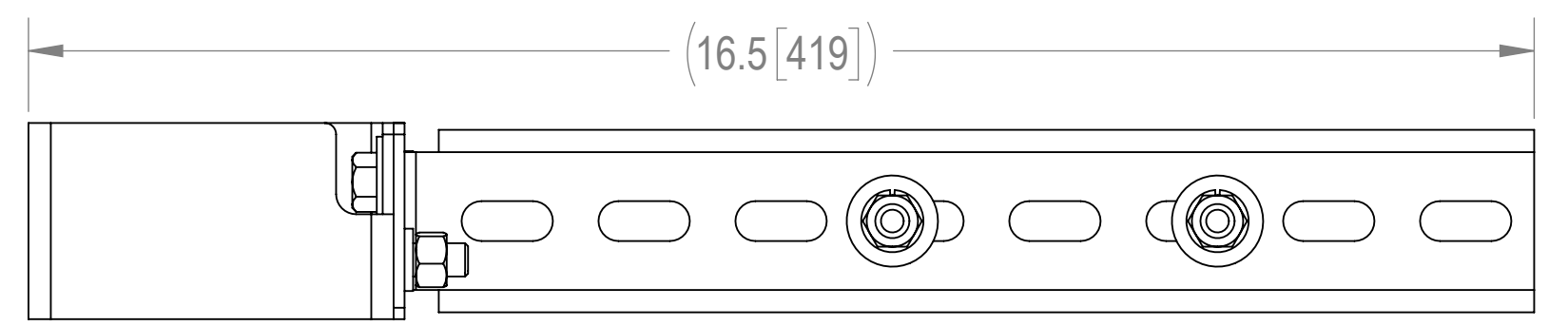
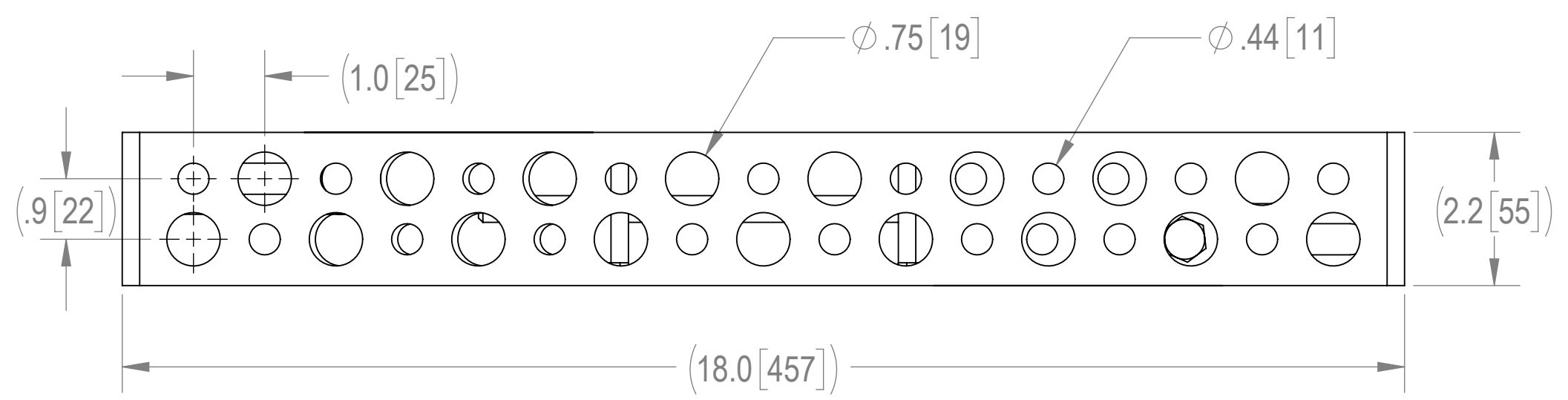
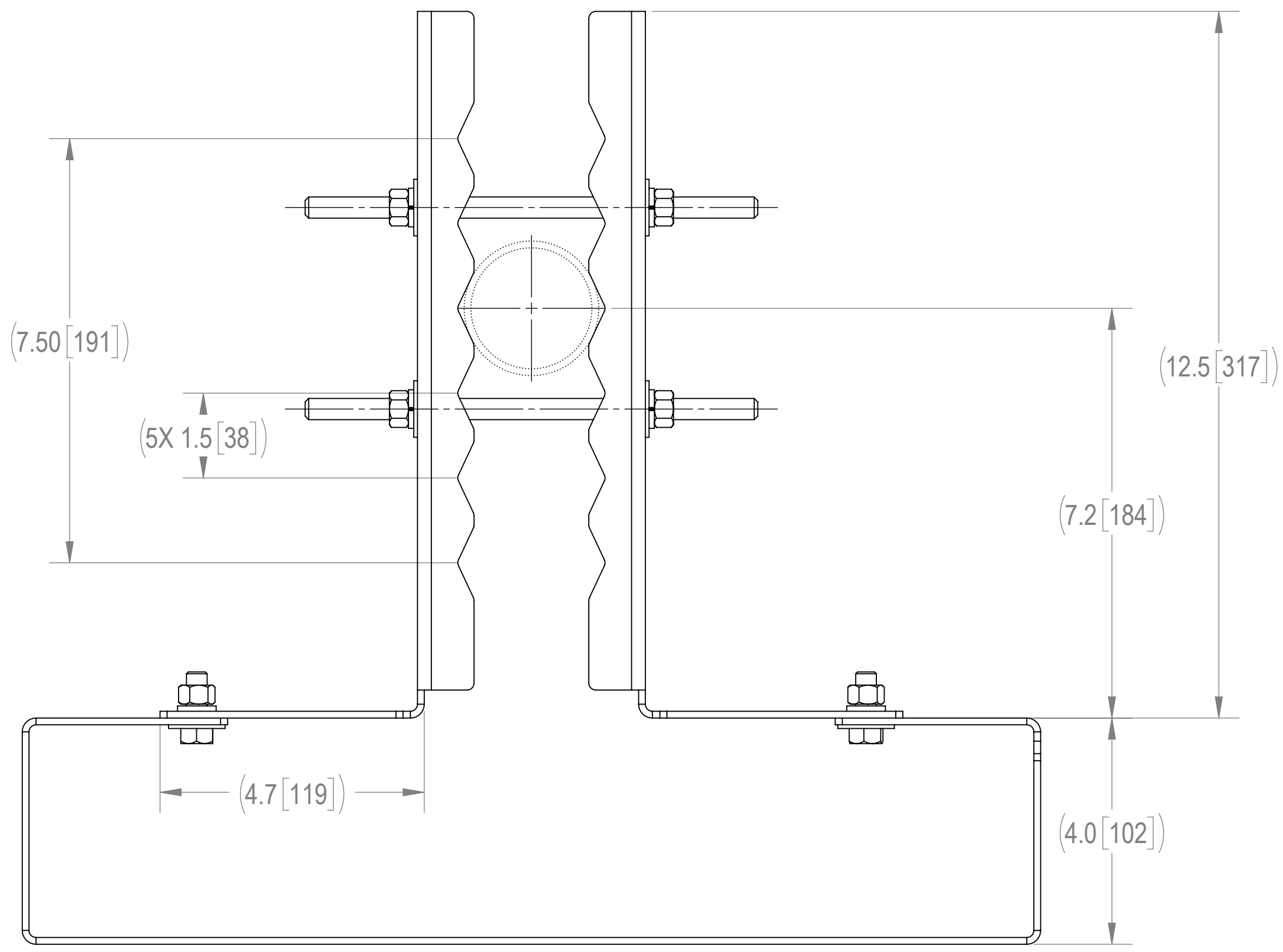
C

B

B

A

A



COMMSCOPE, INC. OF NORTH CAROLINA				
TITLE PG-CS SERIES				
SIZE C	SCALE 1:2	DOCUMENT NO. PG-CS SERIES		
		DRAWING		SHEET
		VERSION	STATUS	REVISION
		06	RE	D
				2 OF 2

© 2018 CommScope, Inc.

4

3

2

1