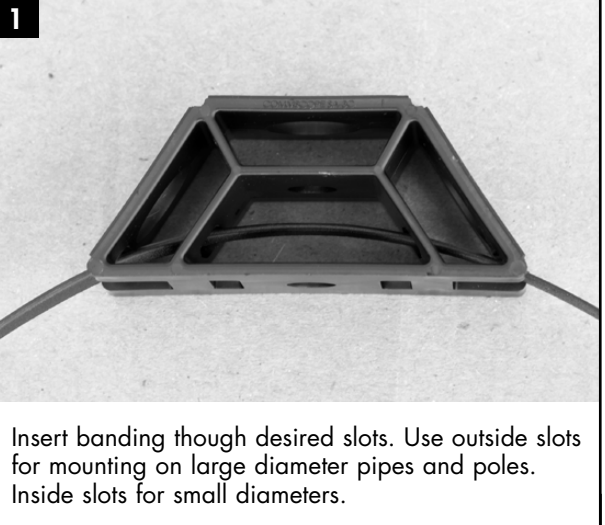
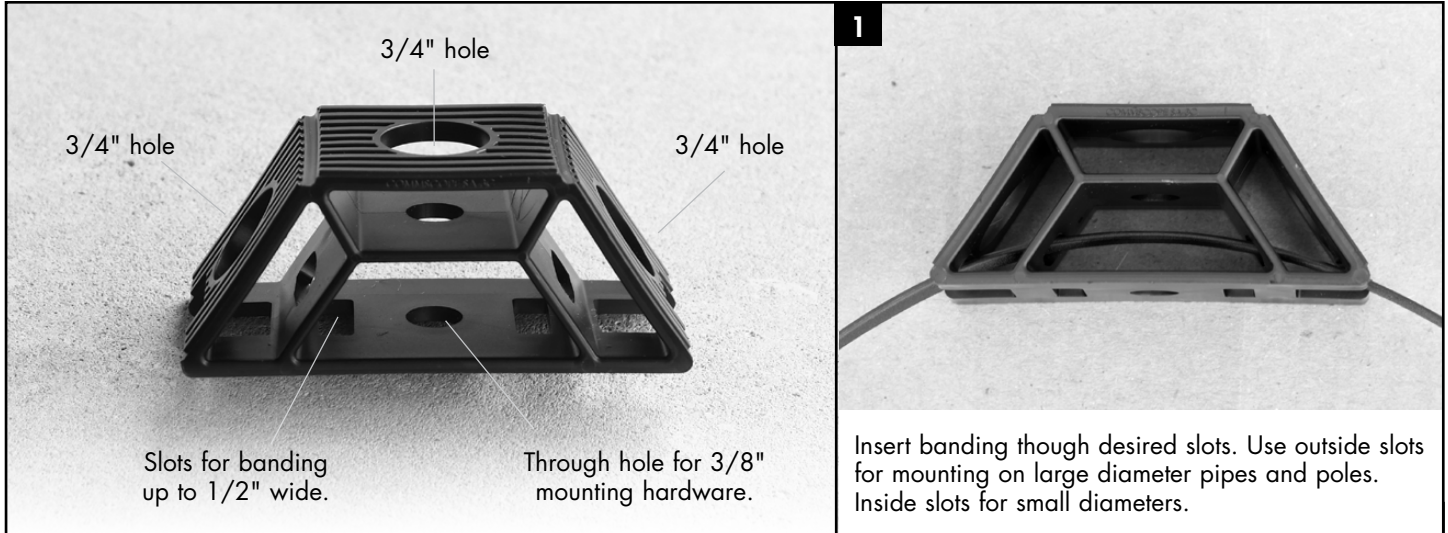


## SA-3C

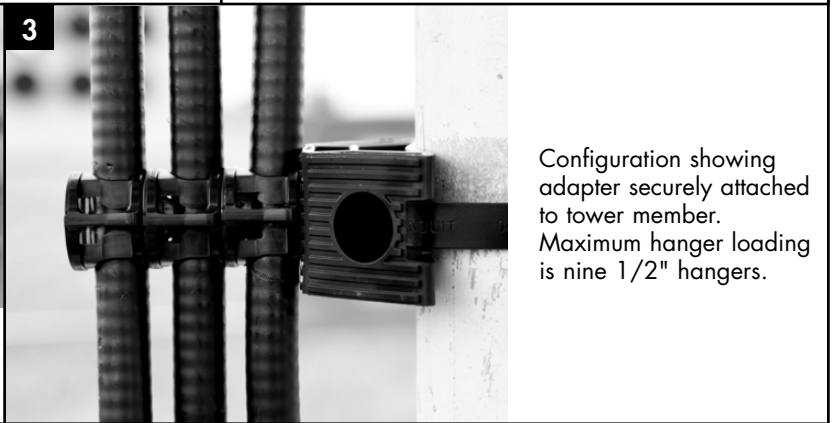
### 3-Way Hanger Adapter

Bulletin 7846879 Rev. A | Page 1 of 1

CommScope Infrastructure Academy offers installation training.



1  
Insert banding through desired slots. Use outside slots for mounting on large diameter pipes and poles. Inside slots for small diameters.



3  
Configuration showing adapter securely attached to tower member. Maximum hanger loading is nine 1/2" hangers.



3-way adapter can also be mounted to tower angle and standoff adapters with 3/8" hardware.

Additional CommScope Materials	
Part Number	Description
UA-3G	Angle adapter, galvanized
CB-12-50	Cable banding, bulk, 1/2 inch X 50 foot reel
CB-LH-25	Locking heads for cable banding number CB-12-50, 25 pcs
CB-IT	Installation tool for cable banding CB-12-50

**CommScope**  
1100 CommScope Place SE P.O. Box 339, Hickory, NC 28603-0339  
(828) 324-2200 (800) 982-1708  
www.commscope.com

**Customer Service 24 hours**  
North America: +1-800-255-1479 (toll free)  
Any country: +1-779-435-6500  
email: acicustomersupportcenter@commscope.com

Notice: CommScope disclaims any liability or responsibility for the results of improper or unsafe installation, inspection, maintenance, or removal practices.  
Aviso: CommScope no acepta ninguna obligación ni responsabilidad como resultado de prácticas incorrectas o peligrosas de instalación, inspección, mantenimiento o retiro.  
Avis: CommScope décline toute responsabilité pour les conséquences de procédures d'installation, d'inspection, d'entretien ou de retrait incorrectes ou dangereuses.  
Hinweis: CommScope lehnt jede Haftung oder Verantwortung für Schäden ab, die aufgrund unsachgemäßer Installation, Überprüfung, Wartung oder Demontage auftreten.  
Atenção: A CommScope abdica do direito de toda responsabilidade pelos resultados de práticas inadequadas e sem segurança de instalação, inspeção, manutenção ou remoção.  
Avvertenza: CommScope declina eventuali responsabilità derivanti dall'esecuzione di procedure di installazione, ispezione, manutenzione e smontaggio improprie o poco sicure.  
注意: CommScope 公司申明對於不恰當或不安全的安裝、檢驗、維修或拆卸操作所導致的後果不負任何義務和責任

