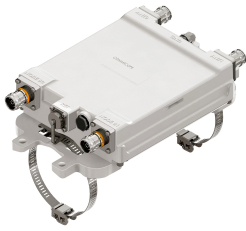


E14R00P08



Tower Mounted Amplifier, Dual UMTS 2100 with AISG, with 4.3-10 connectors

- Industry leading PIM performance
- New 4.3-10 connectors for improved PIM performance and size reduction
- Designed to boost UP-Link Coverage and KPIs
- TMA is operating in AISG & CWA mode, Alarm Current consumption CWA mode 250 mA
- RET interface to control antenna RET actuators with AISG standard
- Single AISG with 1 RET connector
- Automatic LNA by-pass function
- Built in lightning protection
- 1 device with 2 sub-units
- Connectors "in line"
- 2 input ports and 2 output ports

Product Classification

Product Type 1-BTS:1-ANT (Uniplex) | Tower mounted amplifier

General Specifications

Color Gray

Modularity 2-Twin

Mounting Pole | Wall

Mounting Pipe Hardware Band clamps (2)

RF Connector Interface 4.3-10 Female

RF Connector Interface Body Style Long neck

Dimensions

Height 188 mm | 7.402 in

Width 170 mm | 6.693 in

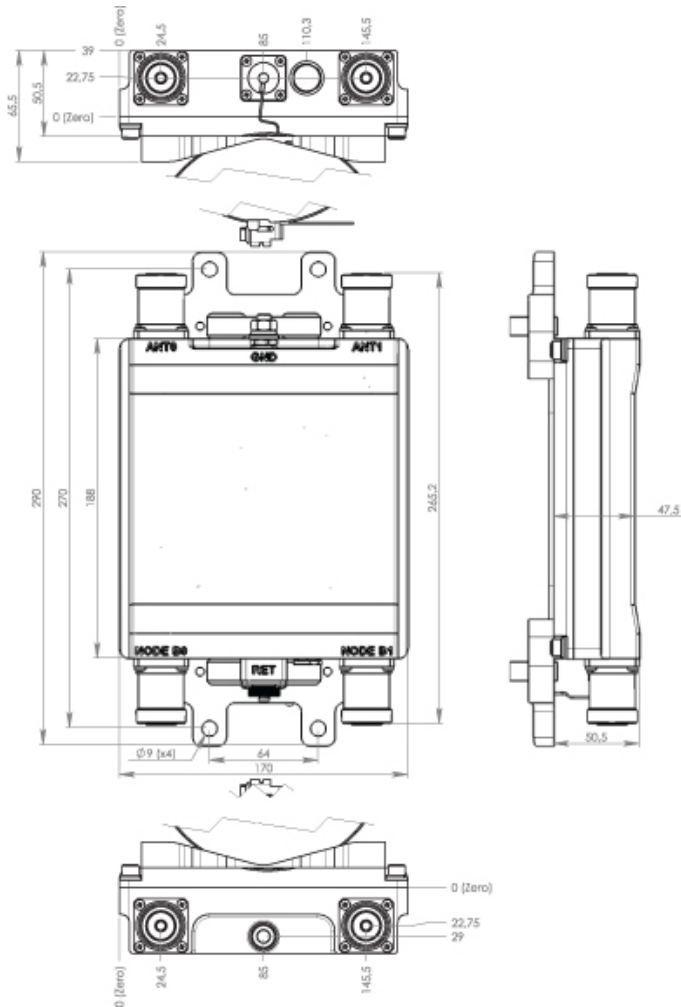
Depth 50 mm | 1.969 in

Ground Screw Diameter 8 mm | 0.315 in

Mounting Pipe Diameter Range 40–160 mm

E14R00P08

Outline Drawing



Electrical Specifications

License Band, LNA IMT 2100

Electrical Specifications, dc Power/Alarm

dc Switching/Redundancy	Yes
Lightning Surge Current	10 kA
Lightning Surge Current Waveform	8/20 waveform
Operating Current at Voltage	100 mA @ 12 V
Operating Current Tolerance	±15 mA
Voltage	7–30 Vdc

E14R00P08

Alarm Current, CWA Mode 250 mA ±15 mA

Electrical Specifications, AISG

AISG Connector 8-pin DIN Female

AISG Connector Standard IEC 60130-9

Protocol AISG 2.0

Voltage, AISG Mode 10–30 Vdc

Electrical Specifications

Sub-module 1 | 2

Branch 1

Port Designation ANT

License Band IMT 2100, LNA

Return Loss - Bypass Mode, typical, dB 19

TX Band Rejection, minimum, dB 80

Electrical Specifications Rx (Uplink)

Frequency Range, MHz 1920–1980

Bandwidth, MHz 60

Gain, nominal, dB 12

Gain Tolerance, dB ±1

Noise Figure, maximum, dB 1.4

Noise Figure, typical, dB 1.2

Group Delay Variation, maximum, ns 12

Group Delay Variation Bandwidth, MHz 5

Total Group Delay, maximum, ns 60

Output IP3, minimum, dBm 24

Return Loss, minimum, dB 18

Insertion Loss - Bypass Mode, typical, dB 3.2

Electrical Specifications Tx (Downlink)

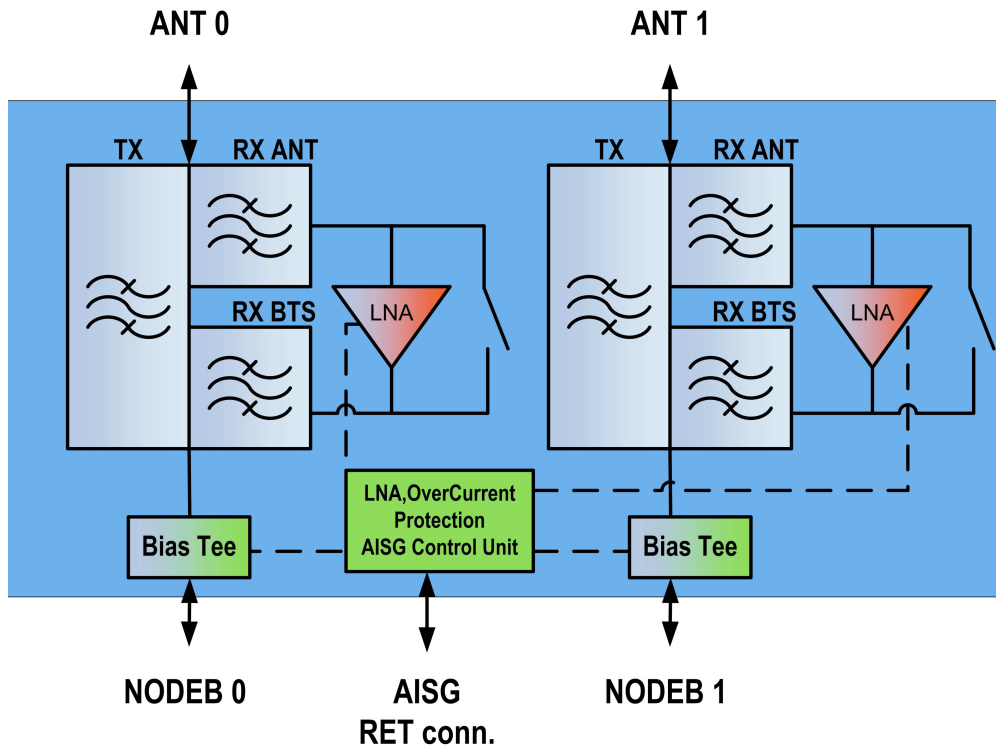
Frequency Range, MHz 2110–2170

E14R00P08

Bandwidth, MHz	60
Insertion Loss, maximum, dB	0.4
Insertion Loss Ripple, maximum, dB	0.1
Group Delay Variation, maximum, ns	3
Group Delay Variation Bandwidth, MHz	5
Total Group Delay, maximum, ns	18
Return Loss, minimum, dB	18
RX Band Rejection, minimum, dB	50
Input Power, RMS, maximum, W	160
Input Power, PEP, maximum, W	2500
3rd Order PIM, typical, dBc	-160

E14R00P08

Block Diagram



Material Specifications

Finish Painted

Environmental Specifications

Operating Temperature -40 °C to +65 °C (-40 °F to +149 °F)

Relative Humidity Up to 100%

Corrosion Test Method IEC 60068-2-11, 30 days

Ingress Protection Test Method IEC 60529:2001, IP67

Packaging and Weights

Included Mounting hardware

Volume 1.6 L

Weight, net 3.3 kg | 7.275 lb

Regulatory Compliance/Certifications

Agency **Classification**

E14R00P08

ISO 9001:2015

Designed, manufactured and/or distributed under this quality management system



* Footnotes

License Band, LNA

License Bands that have RxUplink amplification