

A5FHF-S



4.3-10 Female Connector for 7/8 in AVA5-50 and AVA5-50FX cable

Product Classification

Product Type	Wireless and radiating connector
Product Brand	HELIAX®

General Specifications

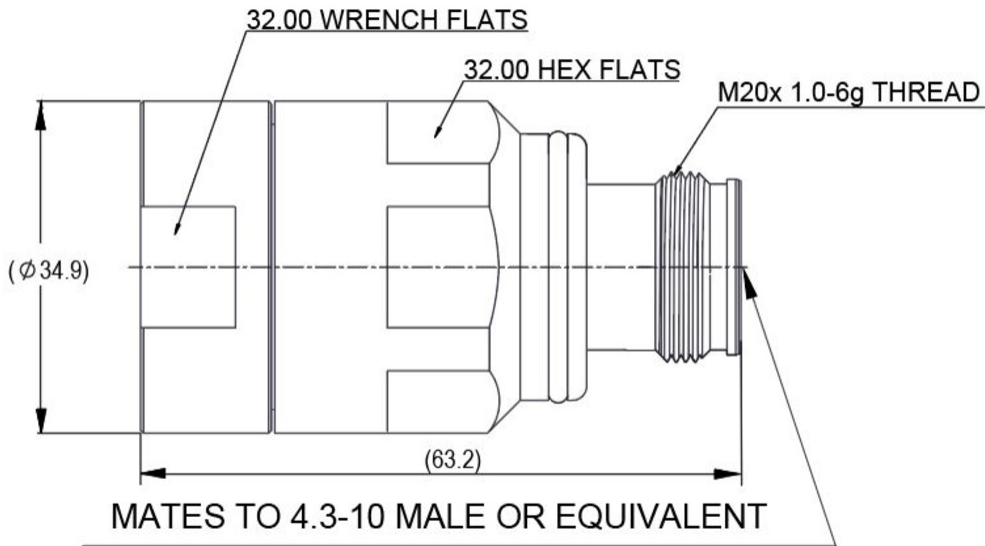
Body Style	Straight
Cable Family	AVA5-50 AVA5-50FX
Harmonized System (HS) Code	85366910 (Coaxial cable and other coaxial electric conductors)
Inner Contact Attachment Method	Captivated
Inner Contact Plating	Silver
Interface	4.3-10 Female
Mounting Angle	Straight
Outer Contact Attachment Method	Clamp
Outer Contact Plating	Trimetal

Dimensions

Length	63.2 mm 2.488 in
Diameter	34.9 mm 1.374 in
Nominal Size	7/8 in

Outline Drawing

A5FHF-S



Electrical Specifications

3rd Order IMD at Frequency	-117 dBm @ 1800 MHz
3rd Order IMD Test Method	Two +43 dBm carriers
Insertion Loss Coefficient, typical	0.05
Connector Impedance	50 ohm
Operating Frequency Band	0 – 3300 MHz

VSWR/Return Loss

Frequency Band	VSWR	Return Loss (dB)
0–1000 MHz	1.041	33.94
1000–2700 MHz	1.083	27.99
2700–3800 MHz	1.106	25.96

Mechanical Specifications

Coupling Nut Proof Torque	10 N-m 88.507 in lb
Interface Durability Method	IEC 61169-4:9.5
Mechanical Shock Test Method	IEC 60068-2-27

Environmental Specifications

Operating Temperature	-55 °C to +85 °C (-67 °F to +185 °F)
------------------------------	--------------------------------------

A5FHF-S

Storage Temperature	-55 °C to +85 °C (-67 °F to +185 °F)
Attenuation, Ambient Temperature	20 °C 68 °F
Average Power, Ambient Temperature	40 °C 104 °F
Corrosion Test Method	IEC 60068-2-11
Immersion Depth	1 m
Immersion Test Mating	Mated
Immersion Test Method	IEC 60529:2001, IP68
Moisture Resistance Test Method	IEC 60068-2-3
Thermal Shock Test Method	IEC 60068-2-14
Vibration Test Method	IEC 60068-2-6
Water Jetting Test Mating	Mated
Water Jetting Test Method	IEC 60529:2001, IP66

Packaging and Weights

Weight, net	288 g 0.635 lb
--------------------	------------------

Regulatory Compliance/Certifications

Agency	Classification
CHINA-ROHS	Above maximum concentration value
ISO 9001:2015	Designed, manufactured and/or distributed under this quality management system
ROHS	Compliant/Exempted
UK-ROHS	Compliant/Exempted



* Footnotes

Insertion Loss Coefficient, typical	$0.05\sqrt{\text{freq (GHz)}}$ (not applicable for elliptical waveguide)
Immersion Depth	Immersion at specified depth for 24 hours