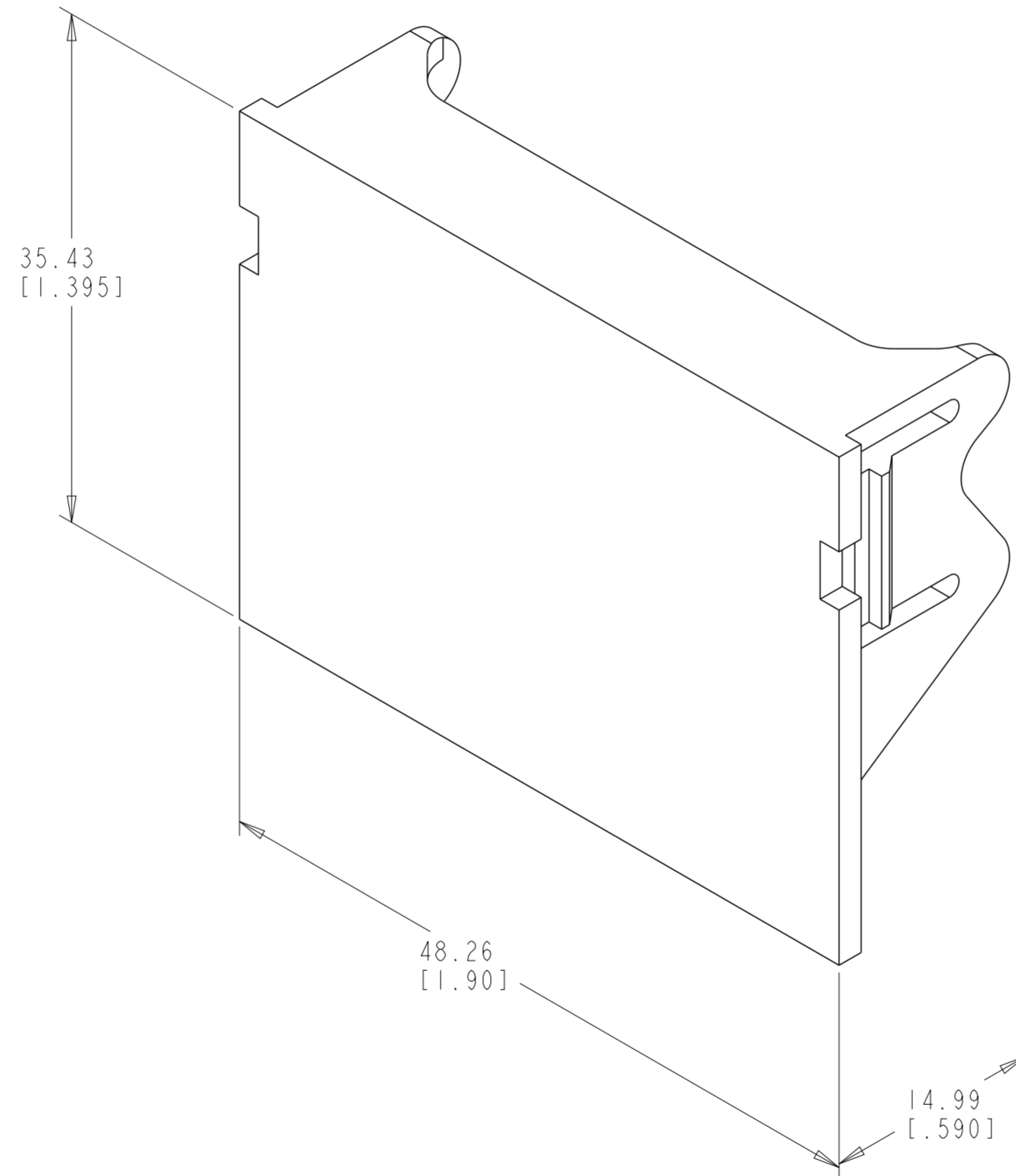


THIS DRAWING IS UNPUBLISHED. RELEASED FOR PUBLICATION
 © 2016 COMMSCOPE INC. CONFIDENTIAL NOTICE: THESE DRAWINGS AND SPECIFICATIONS ARE THE PROPRIETARY PROPERTY OF COMMSCOPE, INC. AND MAY BE USED ONLY FOR THE SPECIFIC PURPOSE AUTHORIZED IN WRITING BY COMMSCOPE, INC.

REVISIONS					
P	LTR	DESCRIPTION	DATE	DWN	APVD
A		REV; EC 0B40-0208-00	09OCT2000	GG	GB
B		REV; ECO-13-019669	16DEC2013	JB	RA
C		REV; ECO-15-003156	19MAY2015	GG	RA
D		REV; 40023588MCO	24JULY2015	GG	RA

- 1 MATERIAL:
MODULE: ABS MOLDING COMPOUND.
SEE TABLE FOR COLOR.
- 2 DIMENSIONS ARE NOMINAL
UNLESS OTHERWISE SPECIFIED.
- 3. REFER TO INSTRUCTION SHEET 408-8398
FOR INSTALLATION PROCEDURES.



ALPINE WHITE	1-1116407-3
BLACK	1116407-2
LIGHT ALMOND	1116407-1
COLOR	PART NUMBER

THIS DRAWING IS A CONTROLLED DOCUMENT.		DWN T. PITTS 14SEP99	COMMSCOPE, INC.				
DIMENSIONS: mm (INCHES)		CHK R. MARTIN 09NOV99				NAME MODULE, BLANK, 1.5 UNITS HIGH, SL SERIES	
TOLERANCES UNLESS OTHERWISE SPECIFIED:		APVD R. MARTIN 09DEC99				PRODUCT SPEC -	
0 PLC ± 1 PLC ± 2 PLC ± 3 PLC ± 4 PLC ± ANGLES ± FINISH -		APPLICATION SPEC -				RESTRICTED TO -	
MATERIAL - 1		WEIGHT -	SIZE A2	CAGE CODE -	DRAWING NO G-1116407		
Customer Drawing			SCALE 3:1	SHEET 1	OF 1		
			REV D				