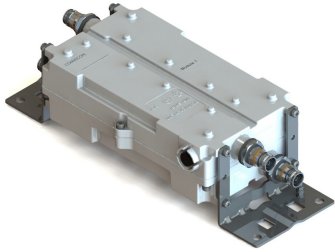


E16V87P63



Interference Mitigation Filter for 2600 MHz B7 band with rejection 46dB in 2575-2615 MHz band

General Specifications

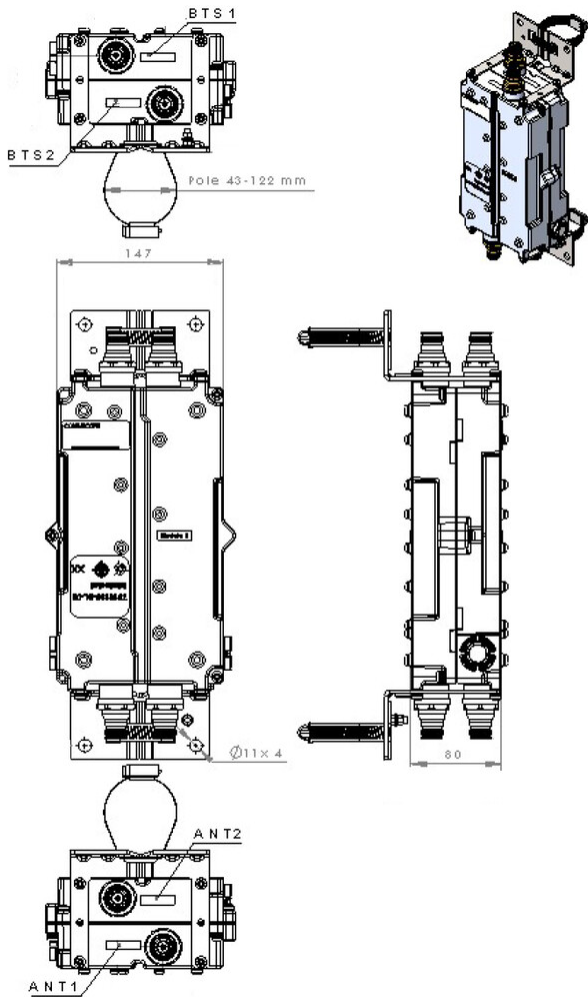
| | |
|--|-----------------|
| Color | Gray |
| Modularity | 2-Twin |
| Mounting Pipe Hardware | Band clamps (2) |
| RF Connector Interface | 4.3-10 Female |
| RF Connector Interface Body Style | Long neck |

Dimensions

| | |
|-------------------------------------|--------------------|
| Height | 80 mm 3.15 in |
| Width | 147 mm 5.787 in |
| Depth | 261 mm 10.276 in |
| Ground Screw Diameter | 5 mm 0.197 in |
| Mounting Pipe Diameter Range | 43–122 mm |

Outline Drawing

E16V87P63



Electrical Specifications

Impedance 50 ohm

Electrical Specifications, dc Power/Alarm

Lightning Surge Current 10 kA

Lightning Surge Current Waveform 8/20 waveform

Electrical Specifications

| | | |
|---------------------|---------------------|---------------------|
| Sub-module | 1 2 | 1 2 |
| Branch | 1 | 1 |
| License Band | IMT 2600, Band Pass | IMT 2600, Band Pass |

Electrical Specifications, Band Pass

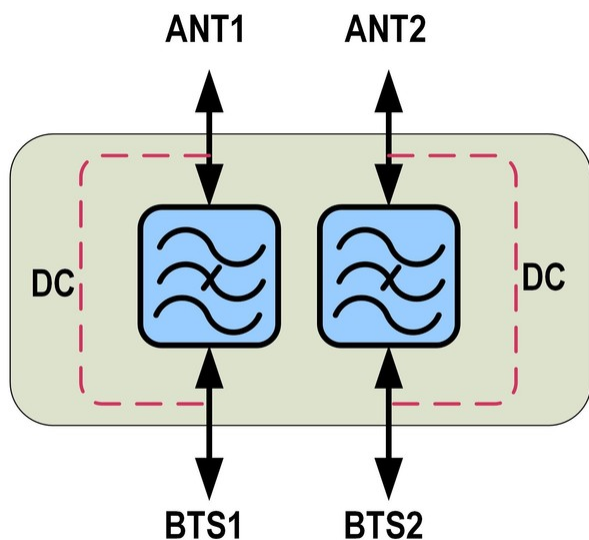
E16V87P63

| | | |
|---------------------------------------|------------------|----------------------|
| Frequency Range, MHz | 2500–2570 | 2620–2690 |
| Insertion Loss, maximum, dB | 1.75 | 1.9 |
| Insertion Loss, typical, dB | 0.3 | 0.3 |
| Total Group Delay, maximum, ns | 130 | 130 |
| Return Loss, minimum, dB | 18 | 18 |
| Return Loss, typical, dB | 20 | 20 |
| Input Power, RMS, maximum, W | | 100 |
| Input Power, PEP, maximum, W | | 1000 |
| 3rd Order PIM, maximum, dBc | | -150 |
| 3rd Order PIM Test Method | | Two +43 dBm carriers |

Electrical Specifications, Band Reject

| | |
|---------------------------------|------------------|
| Frequency Range, MHz | 2575–2615 |
| Attenuation, minimum, dB | 46 |

Block Diagram



Environmental Specifications

| | |
|---------------------------------------|--------------------------------------|
| Operating Temperature | -40 °C to +65 °C (-40 °F to +149 °F) |
| Relative Humidity | Up to 100% |
| Ingress Protection Test Method | IEC 60529:2001, IP67 |

E16V87P63

Packaging and Weights

| | |
|--|--------------------|
| Included | Mounting hardware |
| Weight, without mounting hardware | 5.2 kg 11.464 lb |