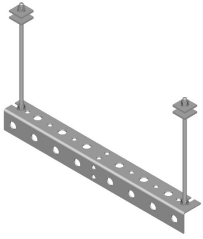


WB-TS12



Trapeze Kit, 12 in wide, one rung

Product Classification

Product Type Trapeze kit

General Specifications

Application Waveguide bridge kit, 12 in

Cable Runs, quantity 4

Hole, quantity 4

Mounting Waveguide bridge channel

Rungs, quantity 1

Dimensions

Height 76.2 mm | 3 in

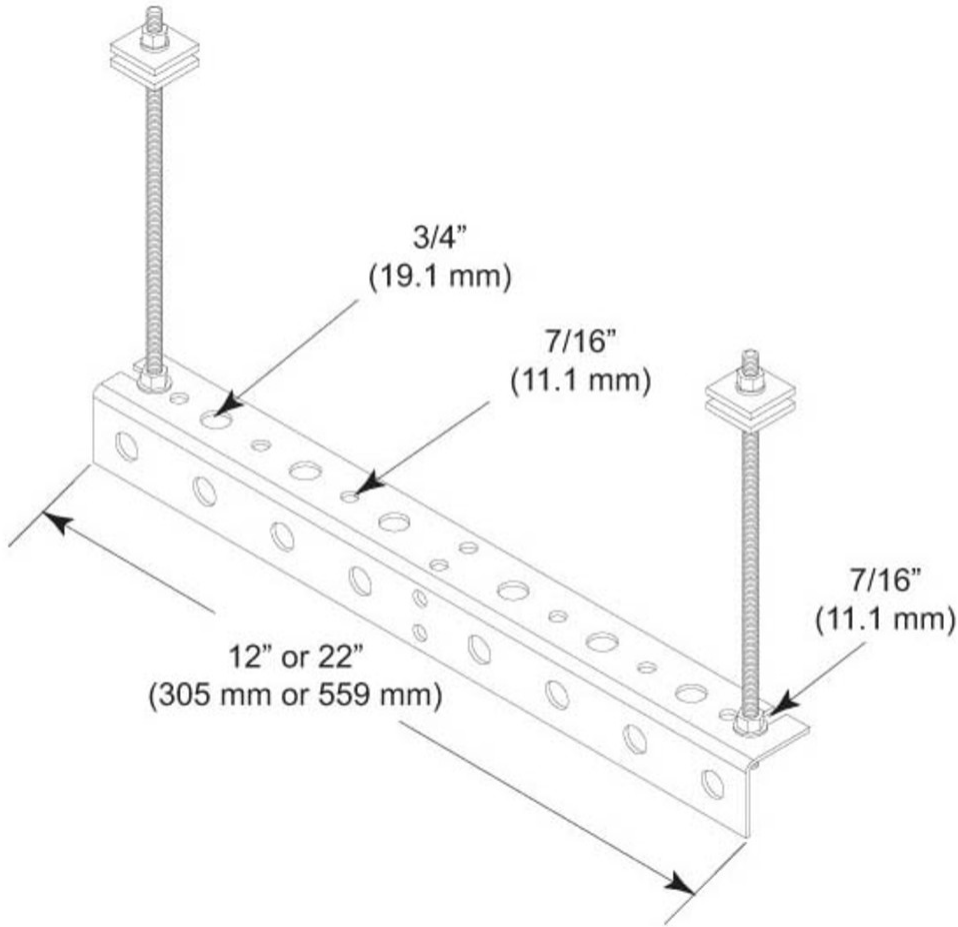
Width 304.8 mm | 12 in

Length 76.2 mm | 3 in

Hole Size 3/4 in | 7/16 in

WB-TS12

Outline Drawing



Material Specifications

Material Type Hot dip galvanized steel

Packaging and Weights

Included Angle brackets | Hardware | Threaded rod

Packaging quantity 1

Weight, net 1.3 kg | 2.866 lb

Regulatory Compliance/Certifications

Agency **Classification**

WB-TS12

CHINA-ROHS

Below maximum concentration value

ISO 9001:2015

Designed, manufactured and/or distributed under this quality management system

REACH-SVHC

Compliant as per SVHC revision on www.commscope.com/ProductCompliance

ROHS

Compliant

