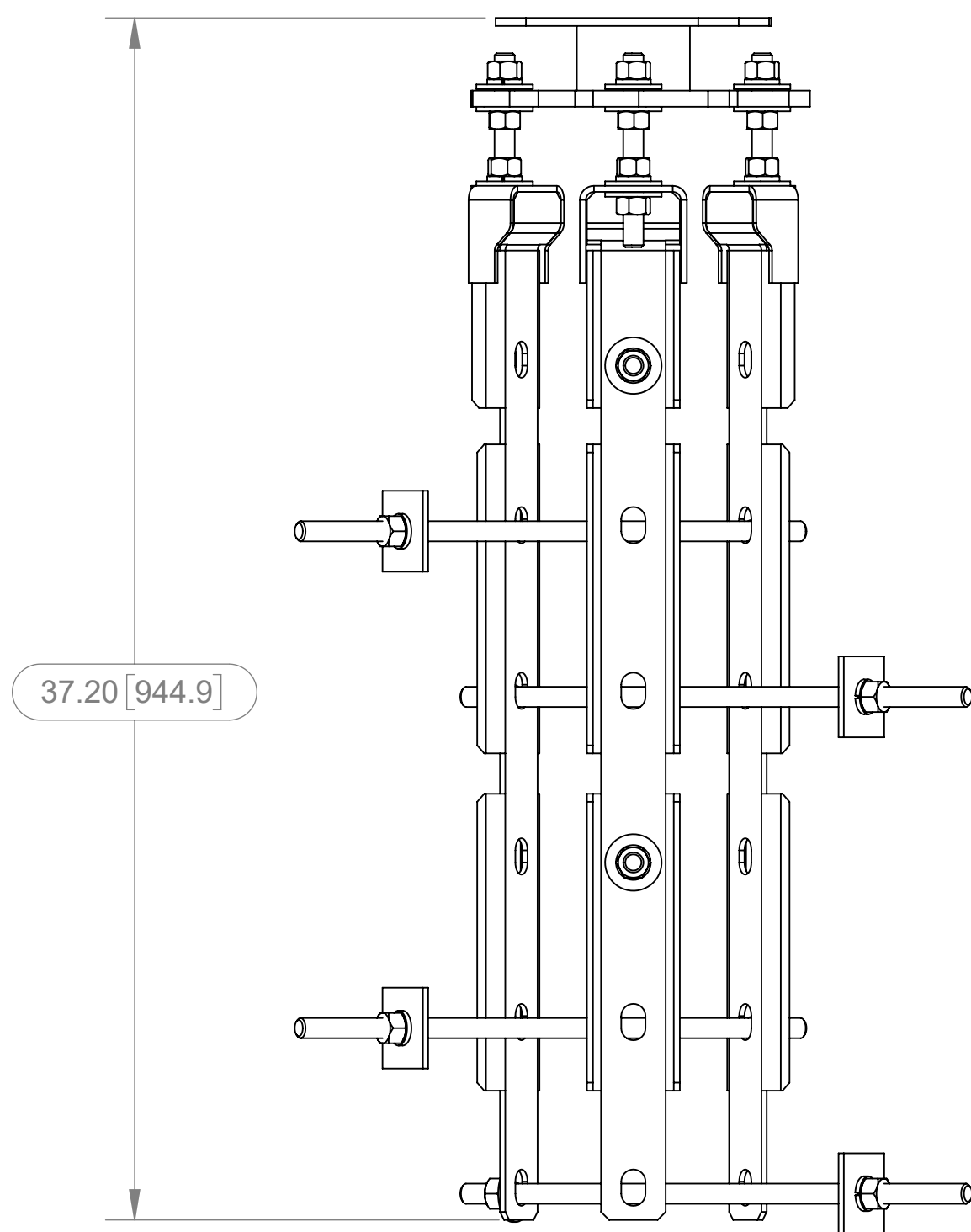
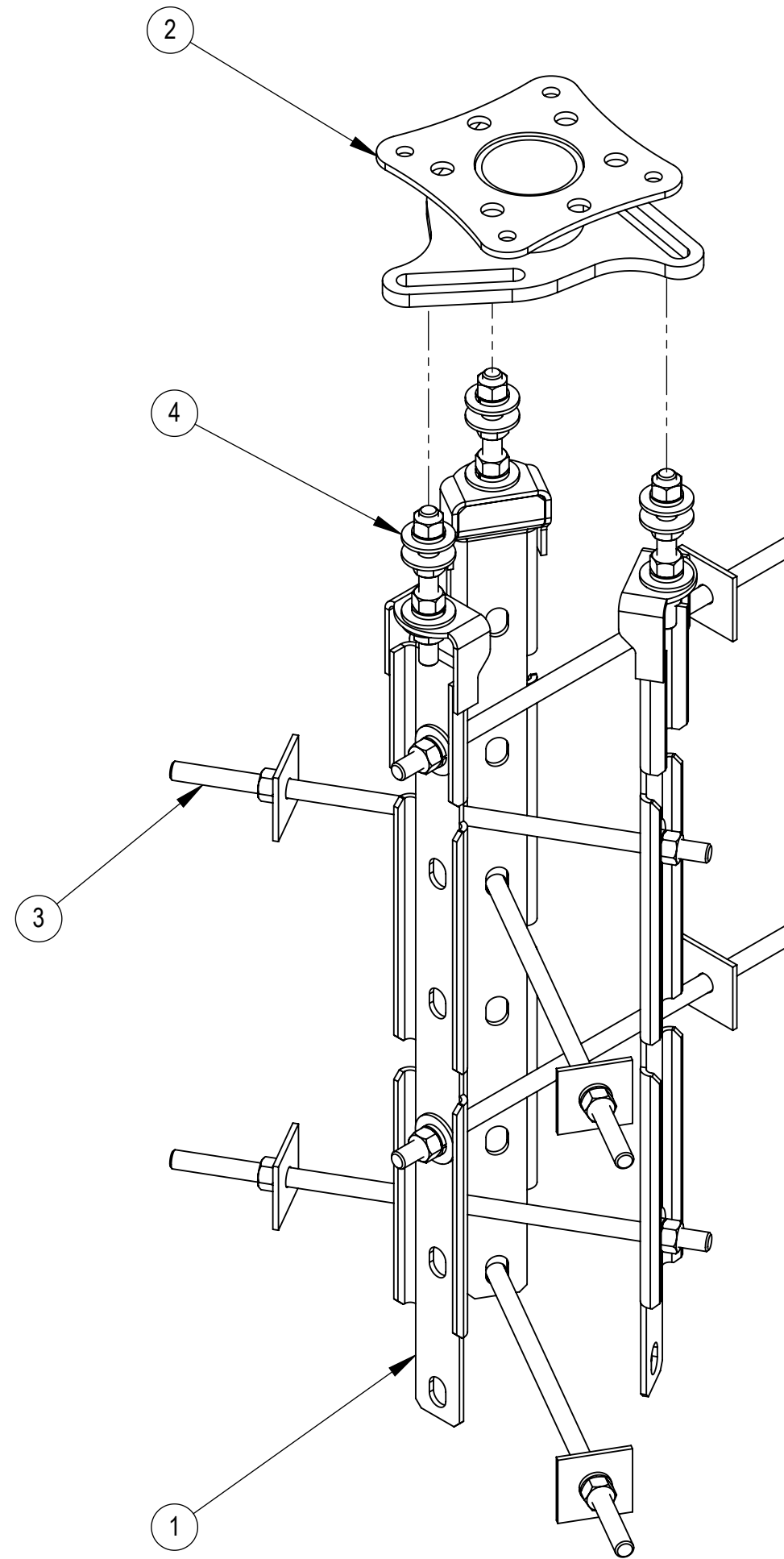
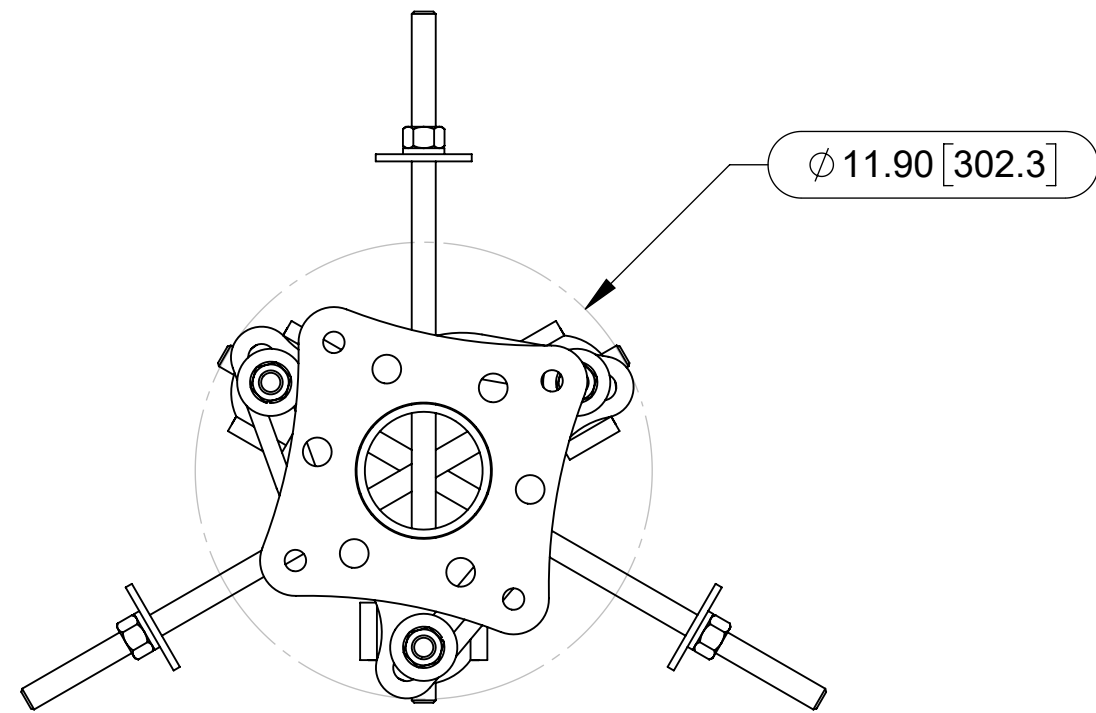


- 1. GENERAL NOTES
 - 1.1 ALL METRIC DIMENSIONS ARE IN BRACKETS [X.X]
 - 1.2 FEATURES CRITICAL TO QUALITY ARE INDICATED IN ROUNDED BOX (X.X)
- 2. DESIGN NOTES
- 3. MANUFACTURING/SPECIAL REQUIREMENTS
- 4. TEST
- 5. PACKAGING
 - 5.1 PRINT AND PLACE INSTALLATION INSTRUCTIONS IN BOX

REVISIONS				
REV.	ECN	DESCRIPTION	BY	DATE
B	8000038925	INITIAL RELEASE	GR1010	01/17/2020



ITEM NO.	PART NUMBER	DESCRIPTION	QTY.	NOTE
1	MTM1105-1200	WELDMENT, MOUNTING RAIL	3	
2	MTM1105-1100	WELDMENT, ADAPTER, 5G SPOOL, PT, SMALL	1	
3	MTM1018PHW	METROCELL COMBO BRACKET, POLE MOUNT HARDWARE	3	
4	MTM1018LHW	KIT, HARDWARE, ADAPTER LEVELING	3	
5	860636779-INSTALL	INSTALLATION INSTRUCTIONS	1	5.1

DENSITY	41.57	lbs/in ³
MASS	157.30	lbs
VOLUME	3579.42	in ³
SURFACE AREA		in ²
HEIGHT	40.00	
LENGTH	12.45	
WIDTH	12.45	

COMMSCOPE, INC. OF NORTH CAROLINA									
TOLERANCES					SAP MATERIAL MASTER				
1 PLACE .X ± 0.2		3 PLACE .XXX ± 0.063			860636779-WP2				
2 PLACE .XX ± 0.13		ANGLES ± 1°							
FINISH NONE					MATERIAL SEE BOM				
UNLESS OTHERWISE SPECIFIED DIMENSIONS ARE IN INCHES INTERPRET PER ANSI Y 14.5M-1994	CE	GR1010	01/17/2020	KIT, WP MOUNT, PIPE, PT, 5-9IN					
	RW	GR1010	03/11/2020						
	AD	JP1130	03/11/2020						
	RE	GR1010	03/11/2020						
	ECN	008000038925							
SCALE	1:5			DOCUMENT NO.					
			860636779-WP2						
SIZE	WORK AREA	24	MODEL			DRAWING			
C		VERSION	STATUS	REVISION	VERSION	STATUS	REVISION	SHEET	
		05	RE	C	04	RE	B	1 OF 1	