

4

3

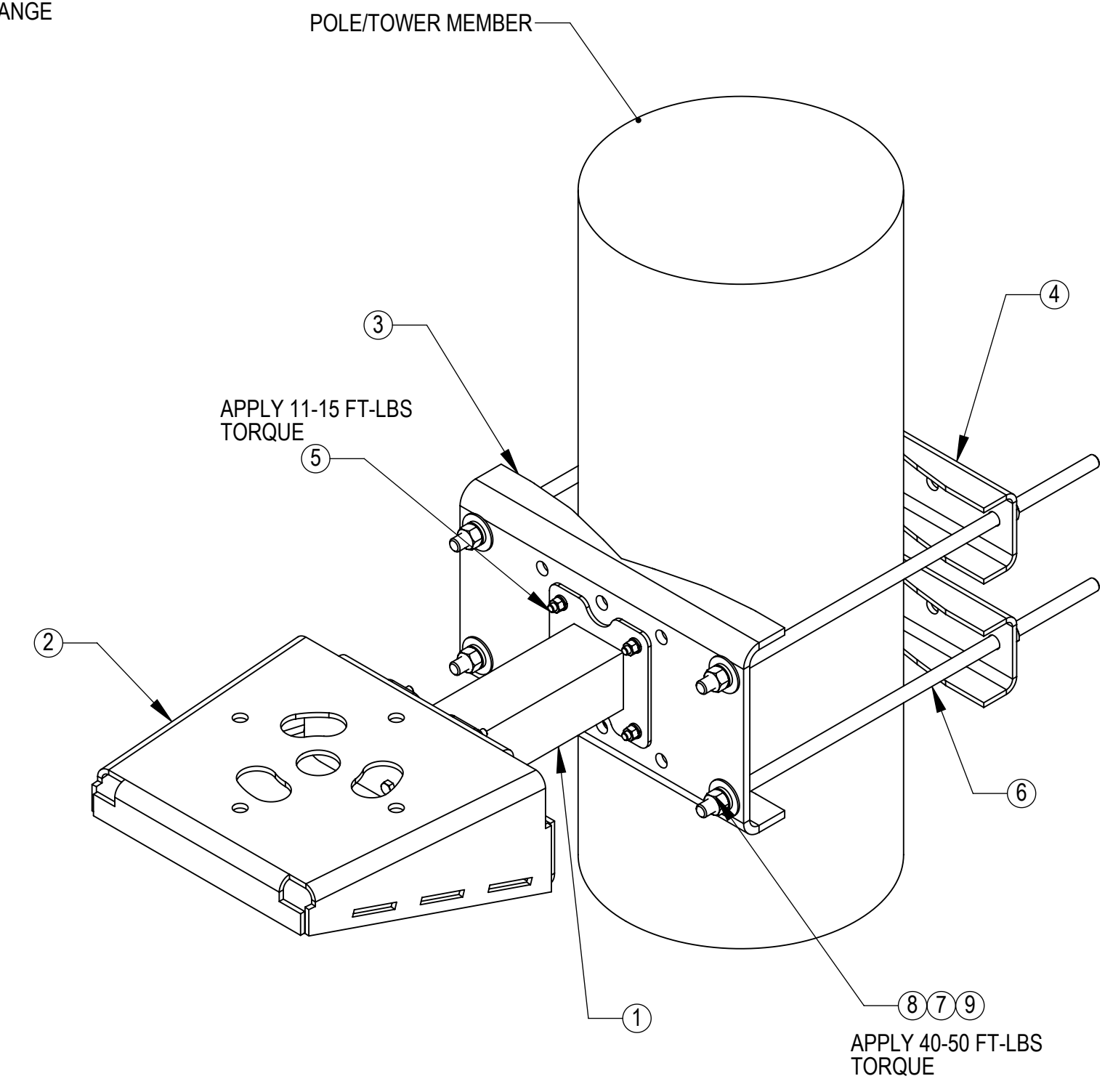
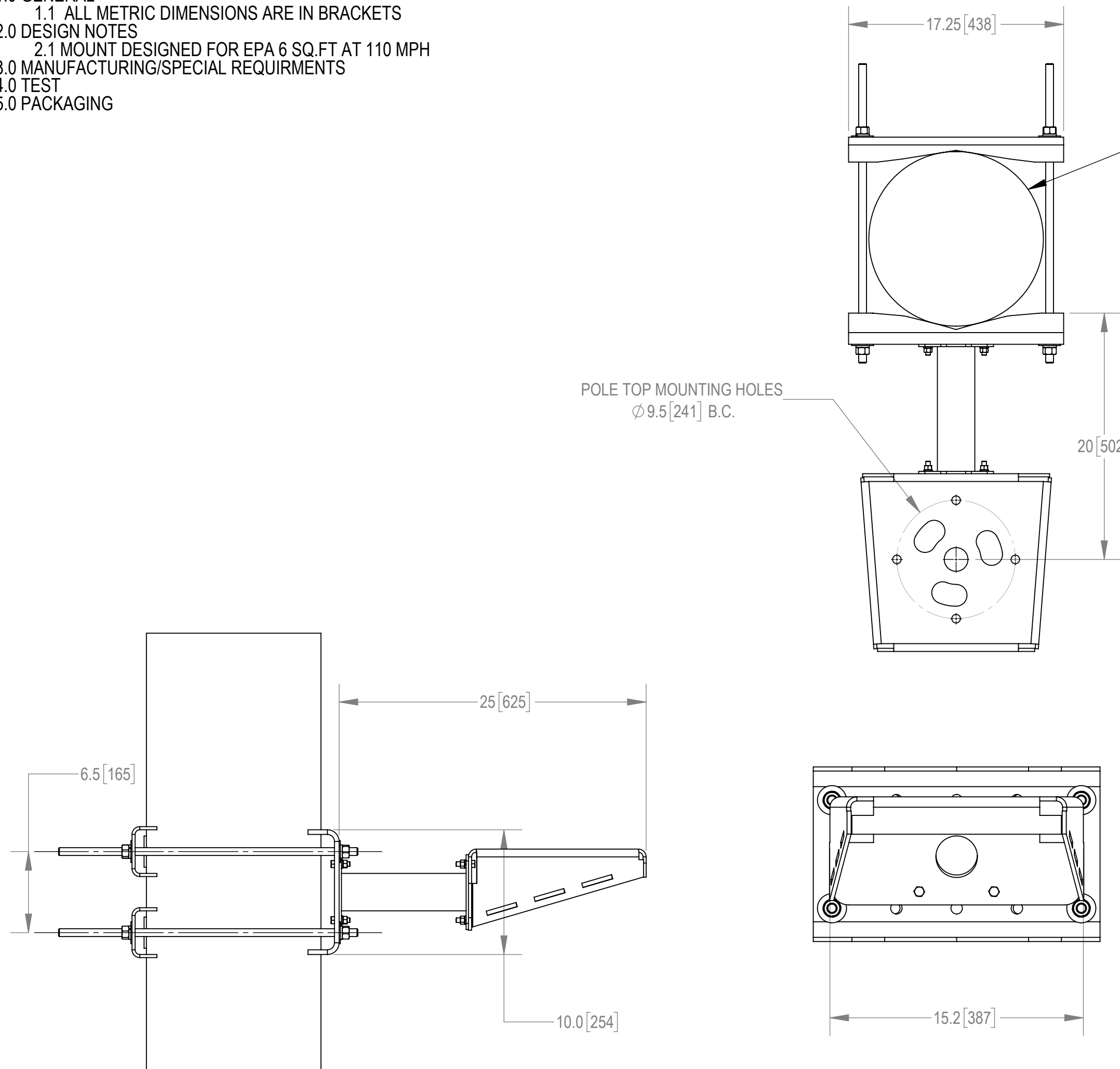
2

1

NOTES:

- 1.0 GENERAL
- 1.1 ALL METRIC DIMENSIONS ARE IN BRACKETS
- 2.0 DESIGN NOTES
- 2.1 MOUNT DESIGNED FOR EPA 6 SQ.FT AT 110 MPH
- 3.0 MANUFACTURING/SPECIAL REQUIRMENTS
- 4.0 TEST
- 5.0 PACKAGING

REVISIONS			
REV.	DESCRIPTION	DATE	APPROVED
A	INITAL RELEASE - ECN 8000032053	11/8/2018	



ITEM	PART NO.	DESCRIPTION	QTY.	WEIGHT	NOTE NO.
1	MTC40601	3X3 HSS WELDMENT, SSX SIDE MNT	1	8.69 LBS	
2	MTC406004	ANT/RADIO BRKT, SSX SIDE MNT	1	26.38 LBS	
3	MTC406001	POLE BRKT FRONT, 6-14" OD, SSX SIDE MNT	1	23.11 LBS	
4	MTC406005	POLE BRKT BACK, 6-14", SSX	2	7.77 LBS	
5	GB-03125	3/8" X 1-1/4" GALV BOLT KIT	8	0.06 LBS	
6	MT-382-24	5/8" X 24" GALV THREADED ROD	4	2.07 LBS	
7	GWL-05	5/8" GALV LOCK WASHER	6	0.03 LBS	
8	GN-05	5/8" GALV HEX NUT	6	0.08 LBS	
9	GWFL-05	5/8" GALV FLAT WASHER	6	0.06 LBS	
10	SW-58	BACKING PLATE, .188" X 2.5" X 2.5" W/ 11/16" HOLE	2	0.31 LBS	USED ONLY ON WOOD POLE, SEE SHEET 2

COMMSCOPE, INC. OF NORTH CAROLINA

TOLERANCES		SAP MATERIAL MASTER				
0 PLACE X ± .25	2 PLACE .XX ± 0.06	MTC4060SM2				
1 PLACE .X ± 0.12	ANGLES ± 2°					
FINISH GALV A123		MATERIAL A500, A1011/A1018				
UNLESS OTHERWISE SPECIFIED DIMENSIONS ARE IN INCHES INTERPRET PER ANSI Y 14.5M-1994		NAME	DATE	SIDE MOUNT FOR PT12, LAA/CBRS 6-14" OD		
		CE FA1024	11/05/2018			
		RW FA1024	11/15/2018			
		RV				
		AD MC1107	11/16/2018			
RE FA1024	11/26/2018	SCALE 1:6 DOCUMENT NO. MTC4060SM2				
ECN 008000032053		SIZE WORK AREA 24	MODEL	DRAWING		
VERSION 04	STATUS RE	REVISION A	VERSION 04	STATUS RE	REVISION A	SHEET 1 OF 2

DENSITY		lbs/in ³
MASS	6.81	lbs
VOLUME	5685.76	in ³
SURFACE AREA	3039.26	in ²
HEIGHT		
LENGTH		
WIDTH		

4

3

2

1

4

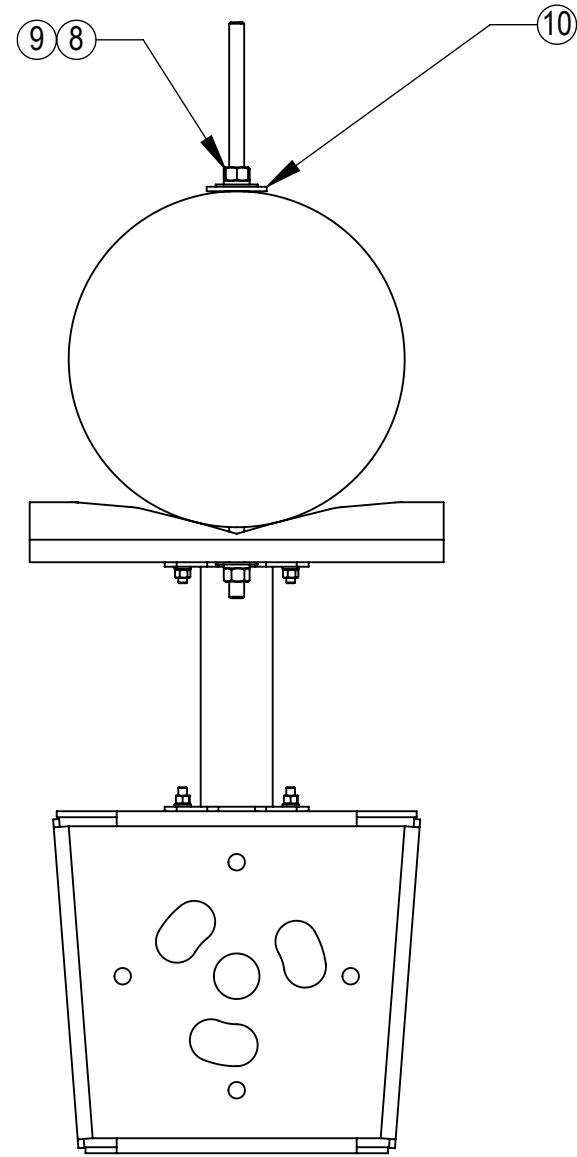
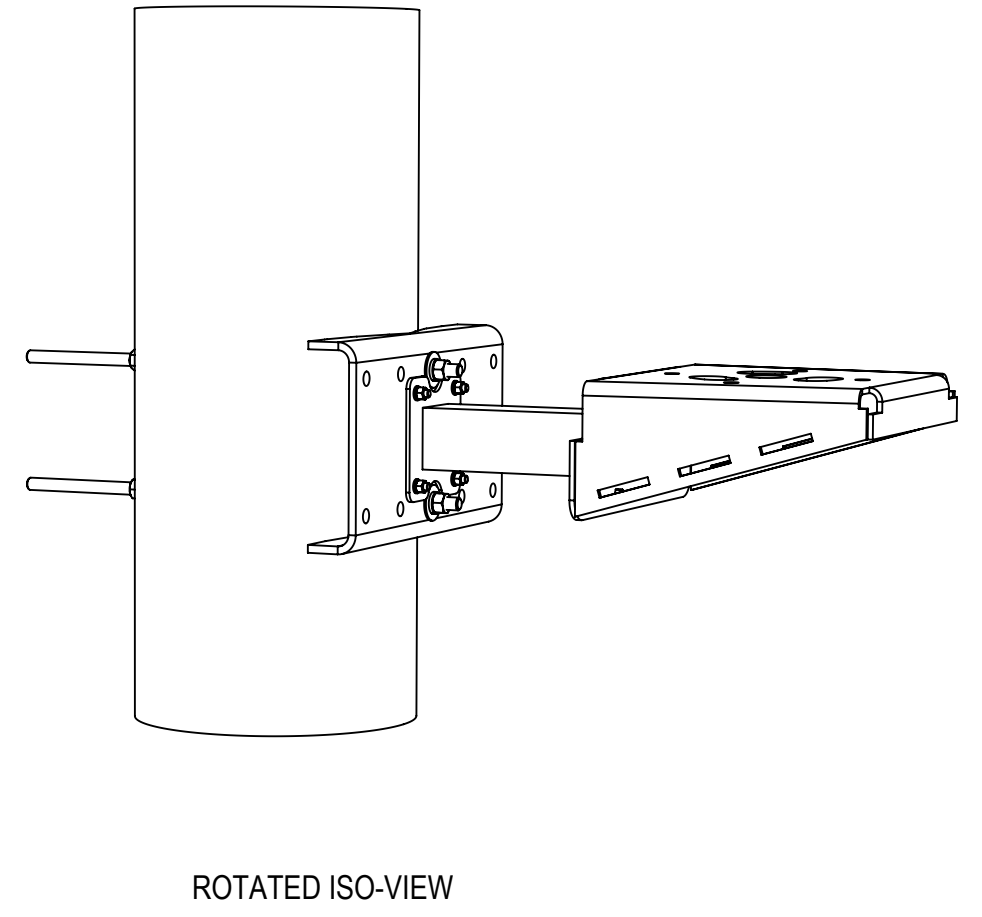
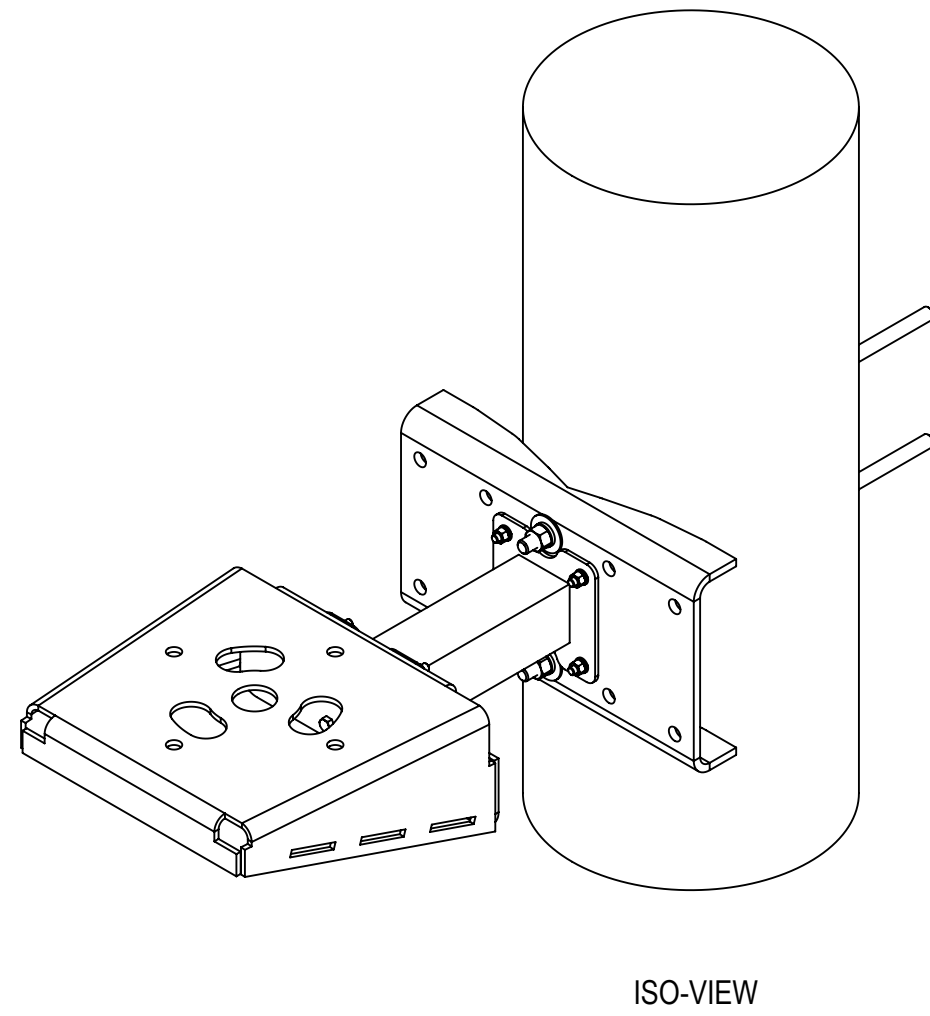
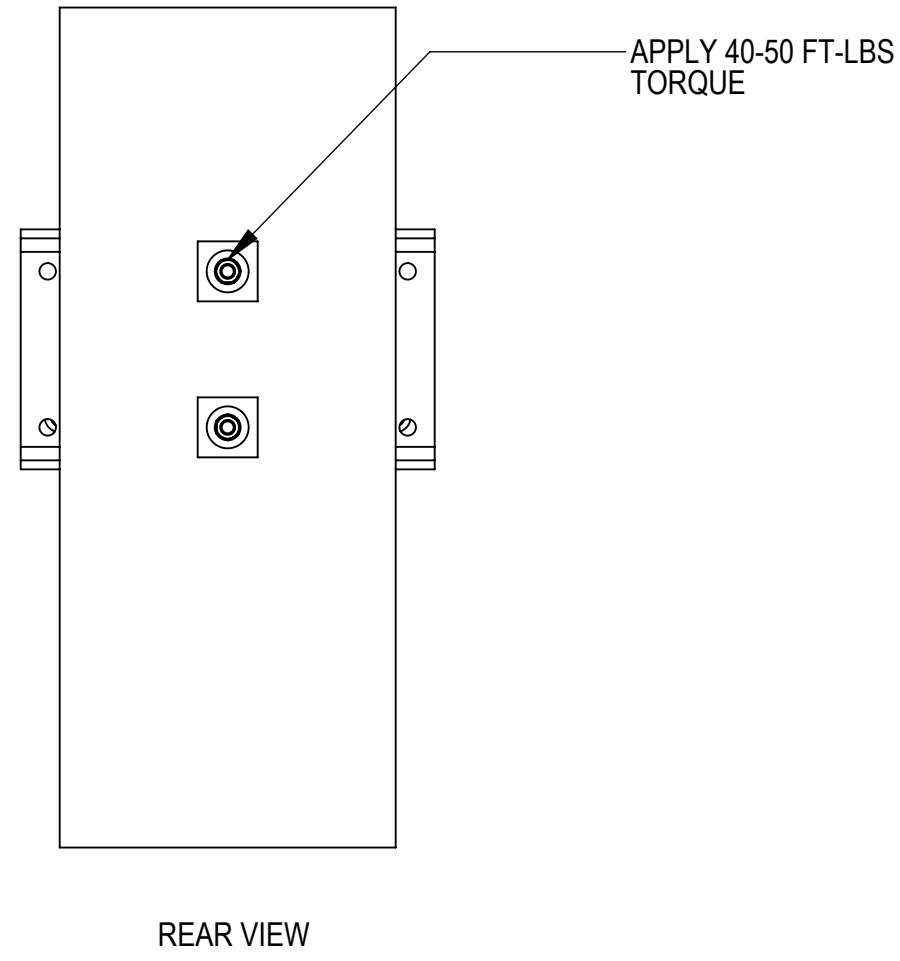
3

2

1

NOTES:

WOOD POLE - THRU BOLTS WITH BACKING PLATE



COMMSCOPE, INC. OF NORTH CAROLINA				
TITLE SIDE MOUNT FOR PT12, LAA/CBRS 6-14" OD				
SIZE C	SCALE 1:8	DOCUMENT NO. MTC4060SM2		
		DRAWING		SHEET 2 OF 2
		VERSION 04	STATUS RE	

© 2018 CommScope, Inc.

4

3

2

1

D

D

C

C

B

B

A

A