

FOSC-MSC



FOSC® MSC Fiber Optic Modular Splice Closure

- Single ended o-ring sealed dome closure for high capacity splicing in a versatile and modular build
- Leverages proven FOSC™ fiber management system, with multiple splice tray options
- Fully removable base for easy cable access during installation and provisioning
- Compatible with high end environmental specifications for aerial, pedestal, underground or direct buried applications
- Superior gel sealing technology incorporated in interchangeable and fully wrap around gel segments
- Toolless and intuitive design in cable seals and cable attachments
- Compatible with a wide range of fiber cable sizes and types
- Mounts to FOSC clamps, table mount and fixturing brackets

Product Classification

Regional Availability	North America
Product Type	Single-ended, round fiber closure
Product Brand	FOSC®
Product Series	FOSC-MSC

General Specifications

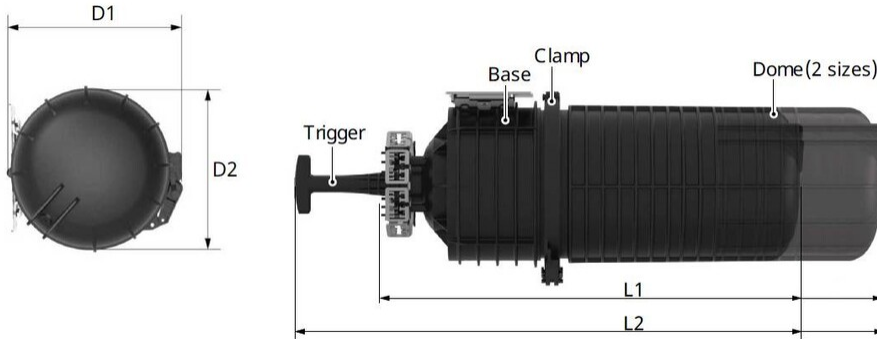
Cable Ports Quantity, total	8 multi-out ports (64 cables)
Cable Sealing Type	Gel kit (optional)
Closure Sealing Type	Dome-to-base clamp with O-ring
Closure Style	Single-ended
Color	Black
Mounting	Pole Strand Wall
Network Area Type	Distribution Feeder
Splicing Type, Supported	Mass fusion Single fusion

Dimensions

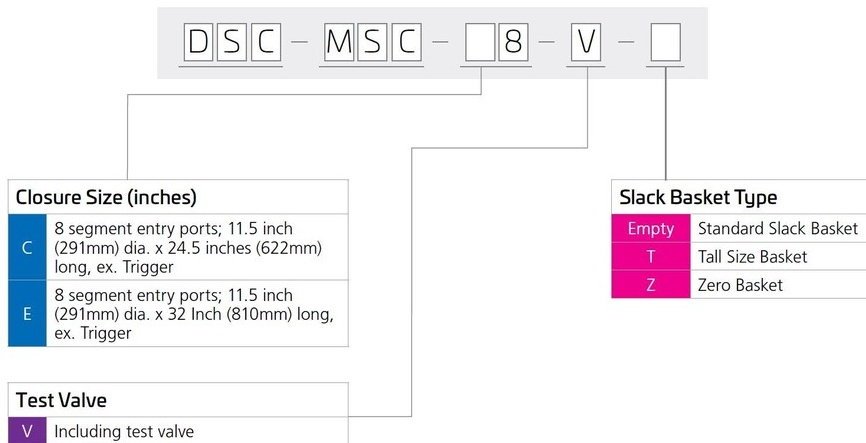
Length	622 mm 24.488 in
Length, with trigger	772 mm 30.394 in
Diameter	256 mm 10.079 in
Diameter, with clamp	291 mm 11.457 in
Main Cable Diameter, maximum	27 mm 1.063 in

FOSC-MSC

Dimension Drawing



Ordering Tree



Material Specifications

Material Type Impact-resistant polymer

Environmental Specifications

Operating Temperature -40 °C to +65 °C (-40 °F to +149 °F)

Environmental Space Above ground | Below ground | Buried | Manhole

Qualification Standards IEC 60529, IP68 + 5 m waterhead | IEC 61753-1 Ed2 (2018)

Water Resistance Flash test valve at 5 psi (40 kPa)

Packaging and Weights

FOSC-MS

Packaging quantity 1
Packaging Type Box | Carton