

IMFQ-1921BAS-43 | E14V00P59



Quad Mid Band IMF for Broadcast Auxiliary Service(BAS) co-location, 4.3-10 connectors

- Provides interference mitigation in the Broadcast Auxiliary Service band of 2025-2110 MHz
- Supports Band 66 and Band 70 Mid-Band radios
- Easy to install in existing AWS systems and prevent adjacent channel interference for BAS licensees
- New 4.3-10 connectors for improved PIM performance and size reduction
- Compact form factor with reduced size and weight
- DC/AISG passing on all ports

Product Classification

Product Type Interference mitigation filter

General Specifications

Color Gray

Modularity 4-Quad

Mounting Pipe Hardware Band clamps (2)

RF Connector Interface 4.3-10 Female

RF Connector Interface Body Style Long neck

Dimensions

Height 201 mm | 7.913 in

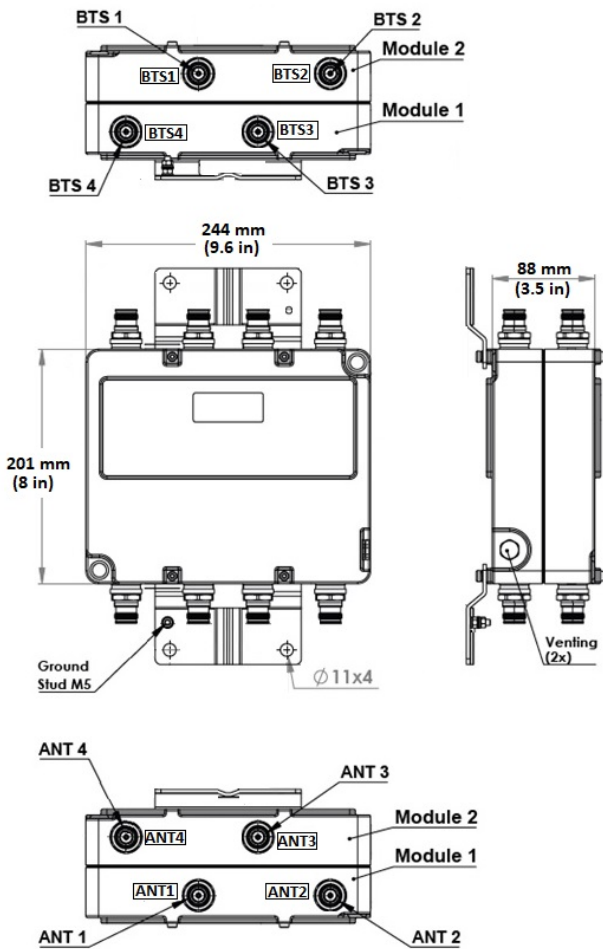
Width 244 mm | 9.606 in

Depth 88 mm | 3.465 in

Ground Screw Diameter 5 mm | 0.197 in

Outline Drawing

IMFQ-1921BAS-43 | E14V00P59



Electrical Specifications, dc Power/Alarm

dc/AISG Pass-through Path	ANT port to BTS port
Lightning Surge Current	5 kA
Lightning Surge Current Waveform	8/20 waveform

Electrical Specifications

Sub-module	1 2 3 4	1 2 3 4	1 2 3 4
Branch	1	1	1
Port Designation	TX B70	TX B66	RX B66/B70
License Band	AWS 2000, Band Pass	AWS 1700, Band Pass	AWS 1700, Band Pass AWS 2000, Band Pass

Electrical Specifications, Band Pass

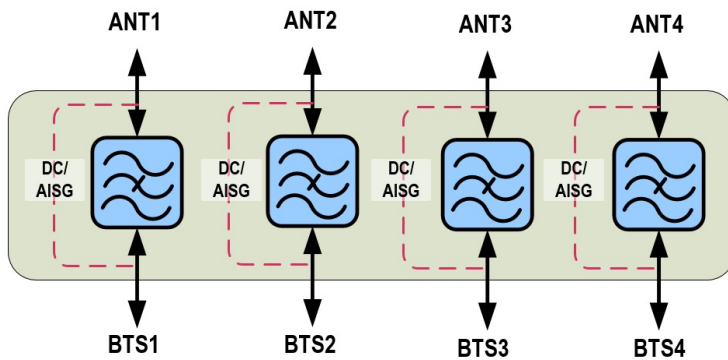
IMFQ-1921BAS-43 | E14V00P59

Frequency Range, MHz	1995–2020	2155–2200	1695–1780
Insertion Loss, typical, dB	0.4	0.2	0.15
Total Group Delay, maximum, ns	100	30	15
Return Loss, typical, dB	18	18	18
Input Power, RMS, maximum, W	100	100	
Input Power, PEP, maximum, W	1000	1000	
Higher Order PIM, minimum, dBc	-155	-155	
Higher Order PIM Test Method	2 x 20 W CW tones	2 x 20 W CW tones	

Electrical Specifications, Band Reject

Frequency Range, MHz	2025–2110
Attenuation, minimum, dB	40

Block Diagram



Environmental Specifications

Operating Temperature	-40 °C to +65 °C (-40 °F to +149 °F)
Relative Humidity	Up to 100%
Ingress Protection Test Method	IEC 60529:2001, IP67

Packaging and Weights

Included	Mounting hardware
Mounting Hardware Weight	0.4 kg 0.882 lb
Volume	4.5
Weight, without mounting hardware	8.5 kg 18.739 lb

Regulatory Compliance/Certifications

Agency	Classification
CHINA-ROHS	Above maximum concentration value
REACH-SVHC	Compliant as per SVHC revision on www.commscope.com/ProductCompliance
ROHS	Compliant/Exempted
UK-ROHS	Compliant/Exempted

