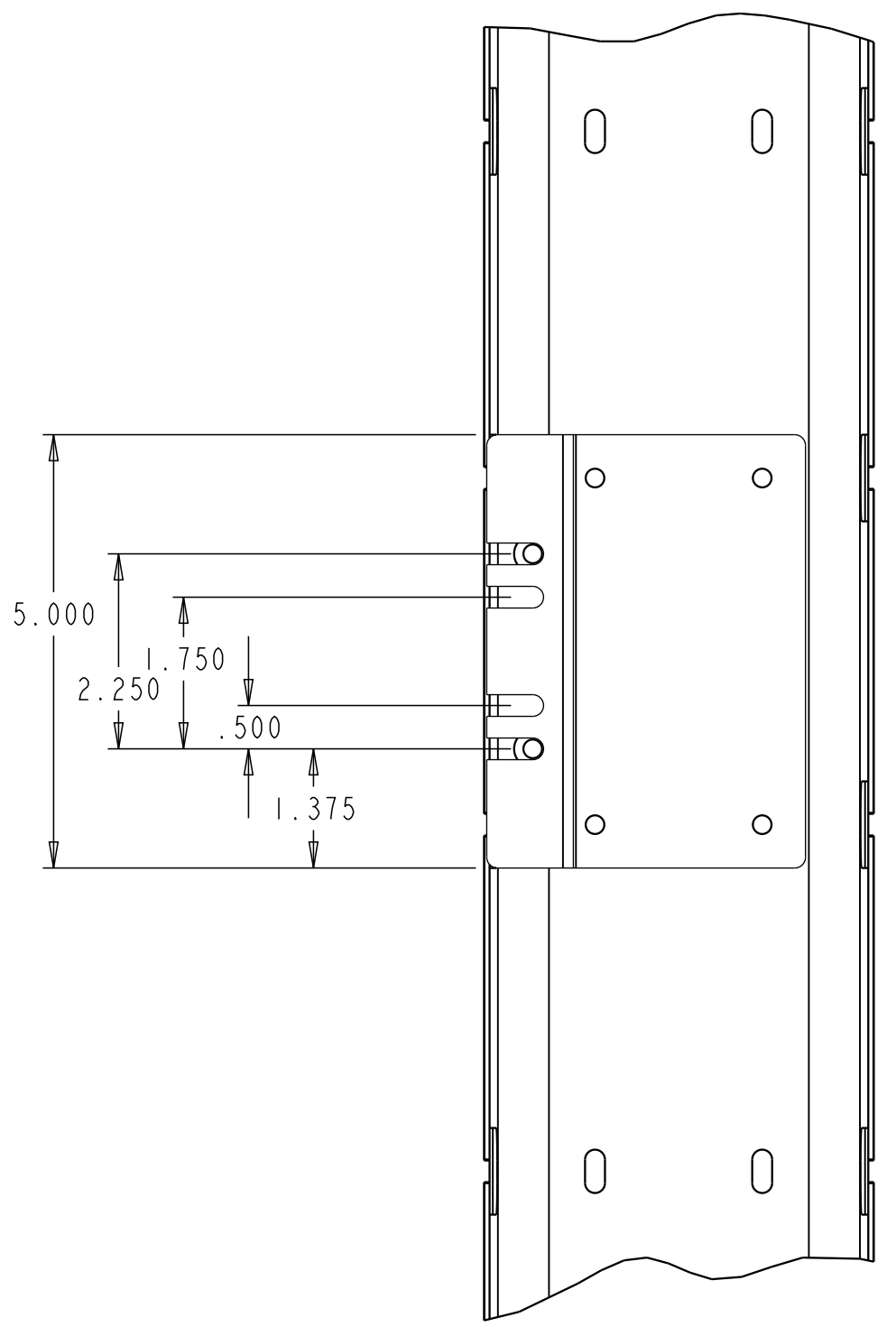
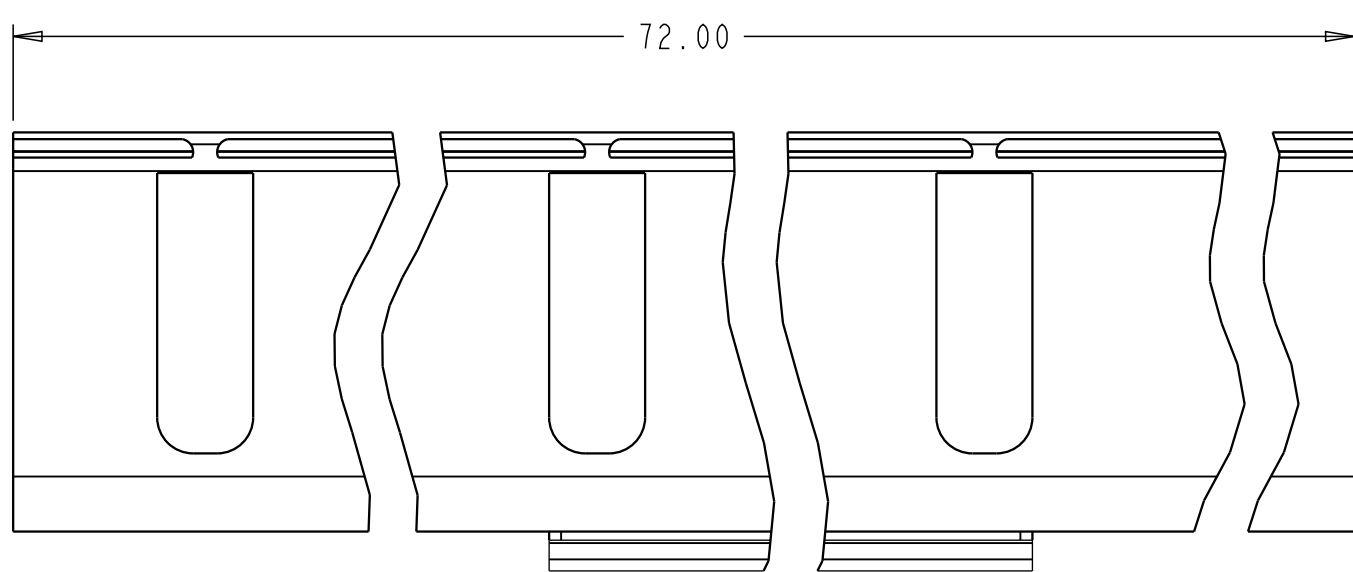
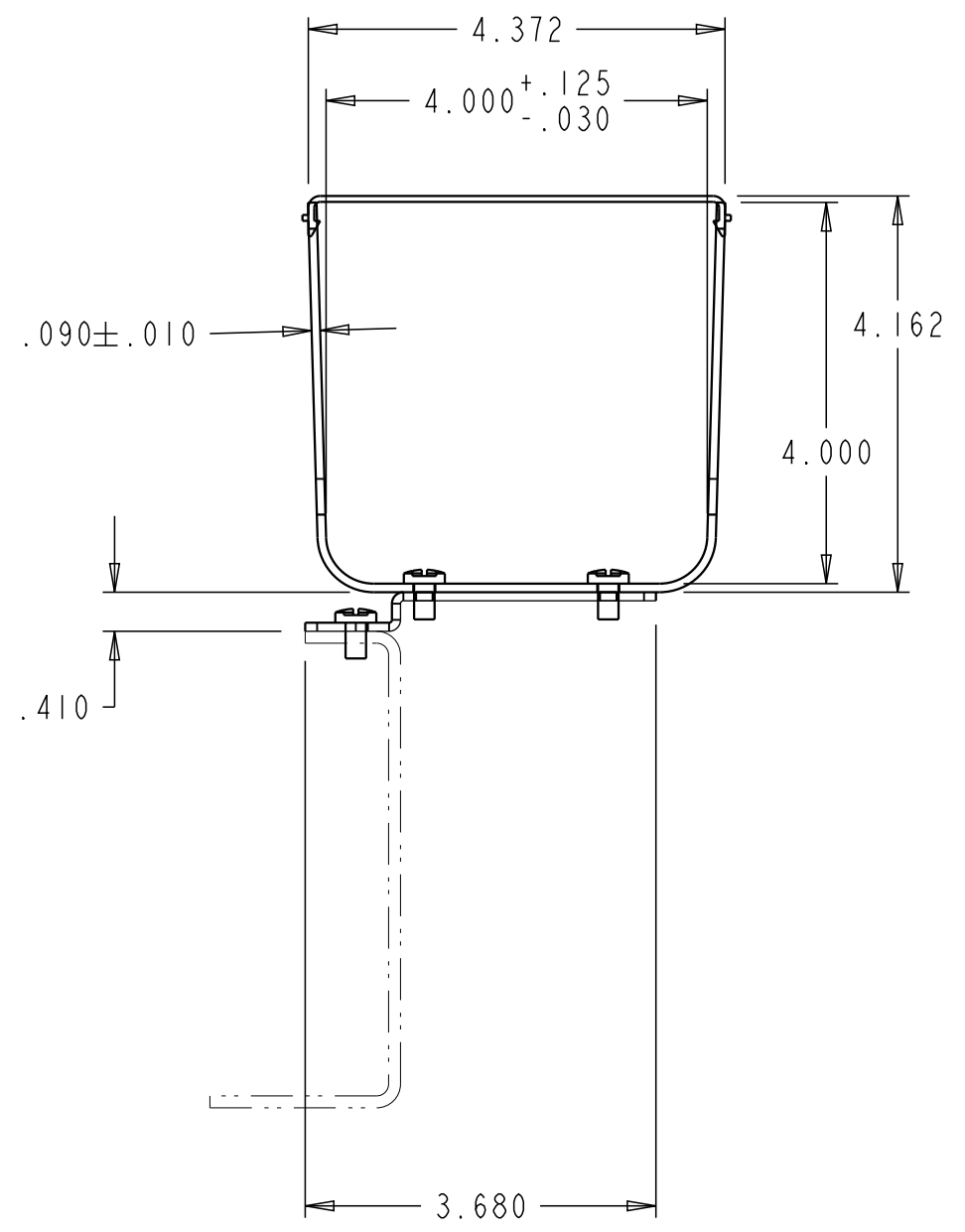


REV.	MCO	DWN	DATE
C	20275532	GCC	22-OCT-09
D	40031893MCO	OAVL	30-JUN-16



PARTS INCLUDED IN KIT	
QTY	DESCRIPTION
1	4" X 4" VERTICAL DUCT
1	DUCT COVER
6	GROMMET STRIPS
4	EIA MOUNTING BRACKETS
24	#12 SCREWS 1/2 LG
24	#12 FLAT WASHERS

FGSB-KTE2-D	BLACK
FGS-KTE2-D	YELLOW
CATALOG NUMBER	COLOR

COMMSCOPE, INC.

<small>© 2016 COMMSCOPE, INC. CONFIDENTIAL  NOTICE: THESE DRAWINGS AND SPECIFICATIONS  ARE THE PROPRIETARY PROPERTY OF  COMMSCOPE, INC. AND MAY BE USED ONLY FOR THE  SPECIFIC PURPOSE AUTHORIZED IN WRITING BY  COMMSCOPE, INC.</small>	TITLE	FIBERGUIDE VERT. DUCT, COVER & BRKT KIT 4" EIA (INST. DWG.)	
	<small>ALL DIMS AND TOLERANCES .XX:±N/A  ARE INCHES UNLESS .XXX:±N/A  OTHERWISE SPECIFIED ANGULAR:±N/A</small>	C SIZE	DRAWING NUMBER 4-29000-2498
DO NOT SCALE DRAWING	ENGR: T. DUNCAN DWN: J. MARQUEZ	SHT. 1 OF 1	

**DIMENSIONS IN INCHES  
THIRD ANGLE PROJECTION**