

4

3

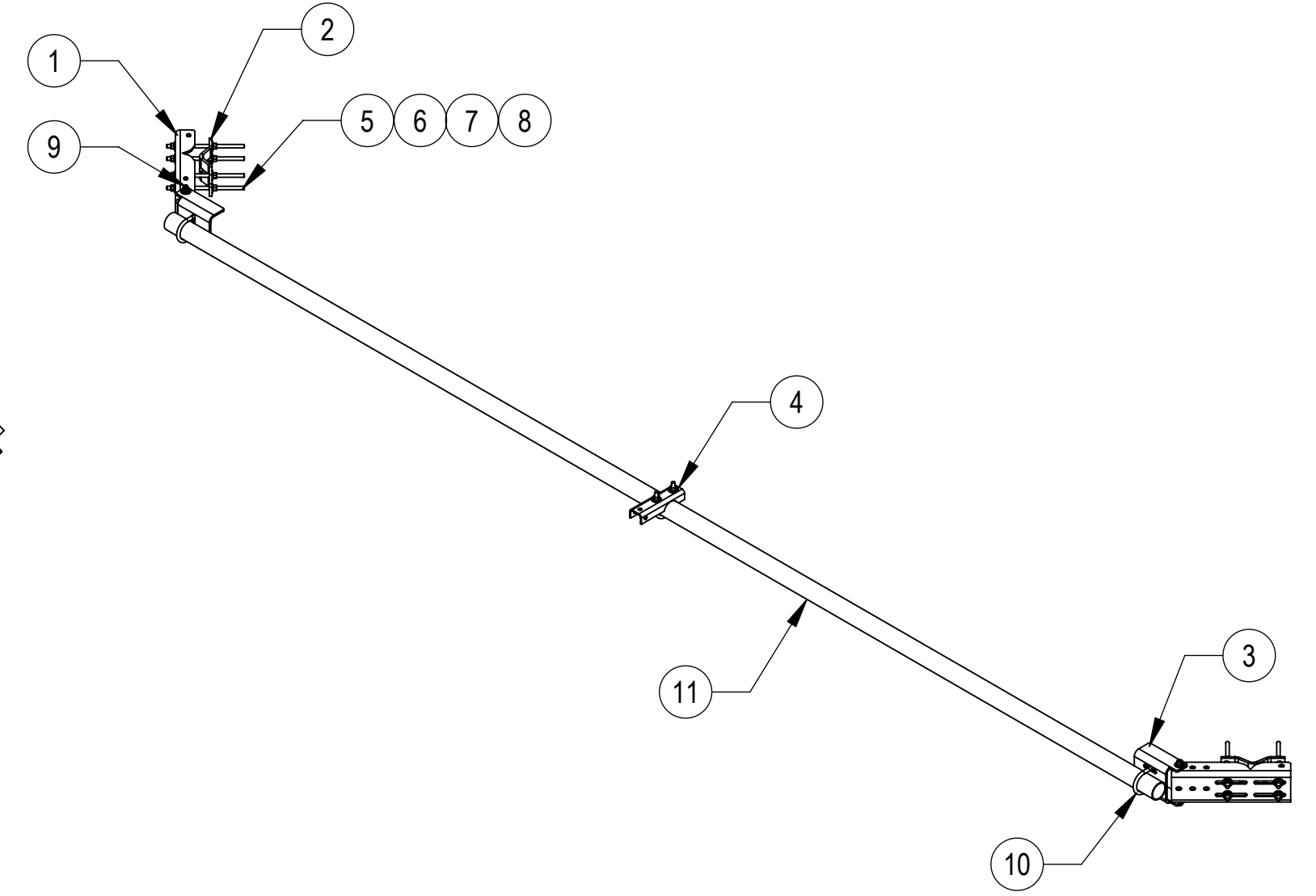
2

1

- 1.0 GENERAL NOTES
  - 1.1 ALL METRIC DIMENSIONS ARE IN BRACKETS [X.X]
  - 1.2 FOR PATENT INFO: <https://www.cs-pat.com>
- 2.0 DESIGN NOTES
- 3.0 MANUFACTURING/SPECIAL REQUIREMENTS
  - 3.1 TIGHTEN ALL BOLTS SECURING FLAT PLATES BY THE TURN-OF-NUT METHOD. TIGHTEN ALL U-BOLTS USING TURN-OF-NUT METHOD WITH ATTENTION TO LEAVE EQUAL DISTANCE AND EQUAL FORCE ON EACH LEG OF THE U-BOLT.
- 4.0 TEST
- 5.0 PACKAGING
  - 5.1 PACKAGING SHALL MEET COMMSCOPE REQUIREMENTS PER DOCUMENT IS-PL-3005
  - 5.2 PRINTED DOCUMENT TO BE PLACED INSIDE POLYBAG AND THEN IN SHIPPING CONTAINER
  - 5.3 EXTRA HARDWARE MAYBE SUPPLIED, BAGGED AND SHIPPED

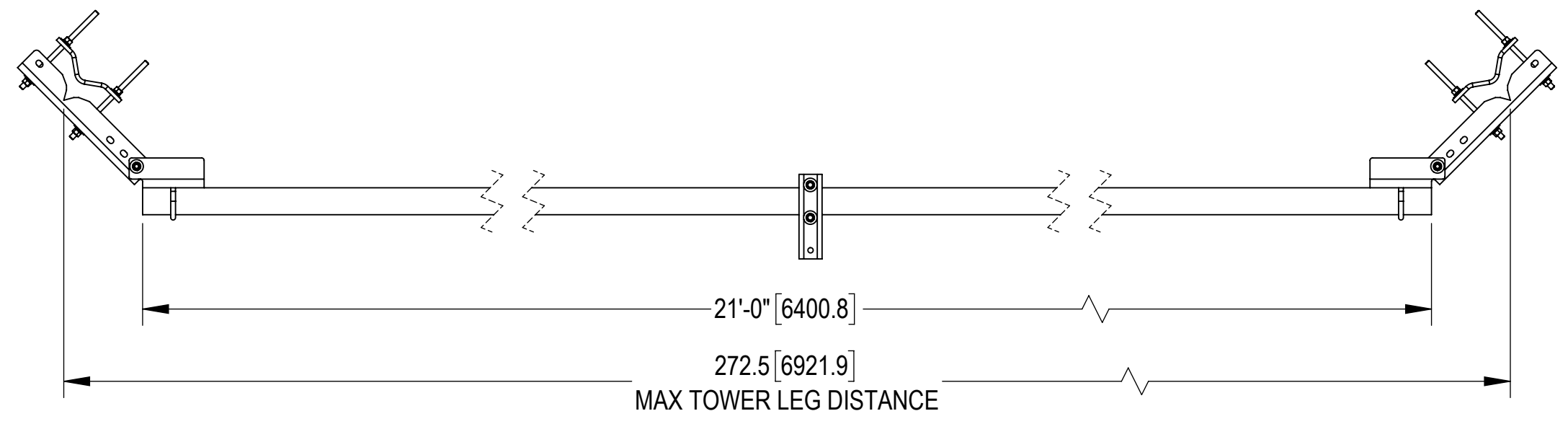
REVISIONS			
REV.	DESCRIPTION	DATE	APPROVED
A	INITIAL RELEASE	LS1146 07SEP23	YZ1080 40178694CMO

D



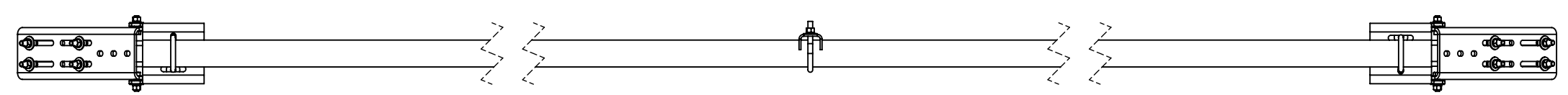
D

C

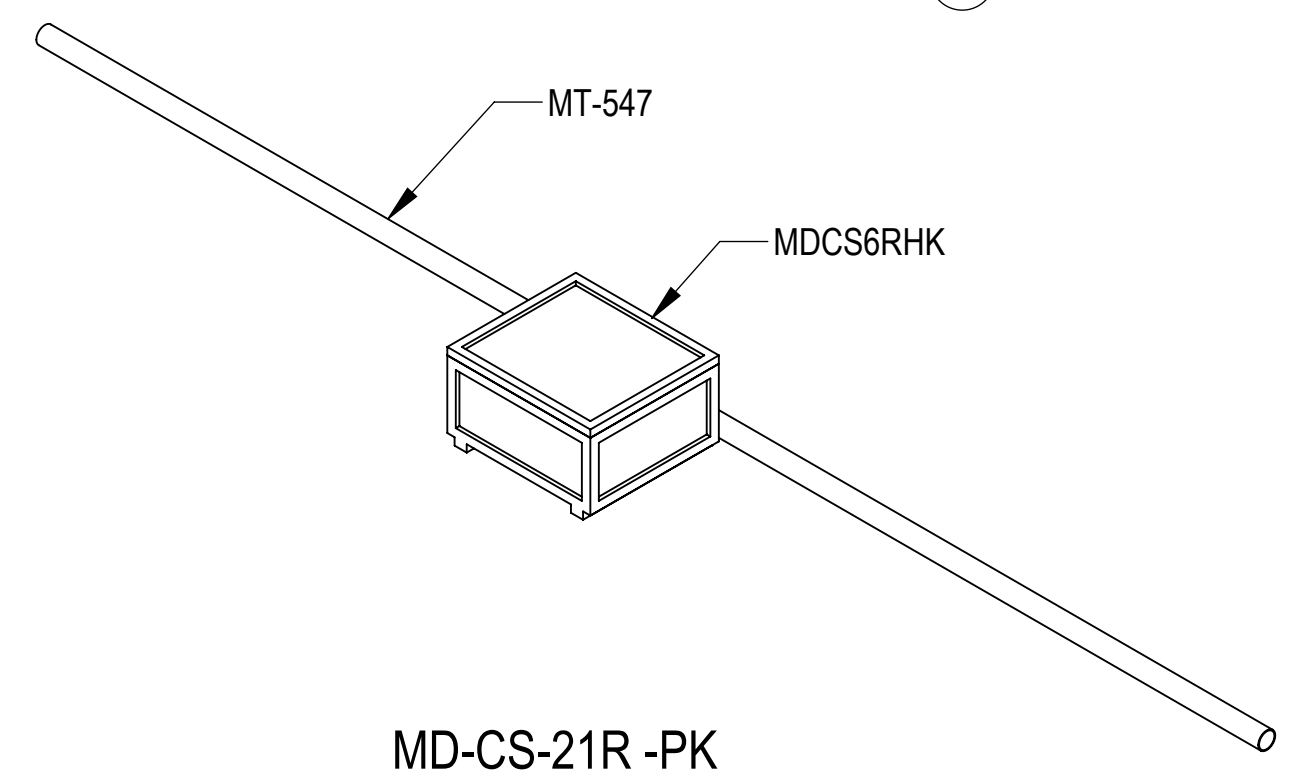


C

B



B



MD-CS-21R -PK

COMPONENT PART NUMBERS PROVIDED FOR ASSEMBLY PURPOSES;  
INDIVIDUAL COMPONENTS MAY BE SHIPPED AS PARTS WITHIN AN INCLUDED KIT

ITEM	PART NO.	DESCRIPTION	QTY.	WEIGHT	NOTE NO.
1	MDCS01	UNIVERSAL LEG CHANNEL	2	25.05 LBS	
2	MCP10	2-1/2" O.D. TO 9" O.D. CLAMP HALF	4	3.36 LBS	
3	MTC987202	CHANNEL PIVOT BRACKET	2	12.43 LBS	
4	TFMSS35	STIFFARM STRUT SUPPORT 3.5"OD	1	4.05 LBS	
5	MT-382-14	5/8" X 14" GALV THREADED ROD	8	1.21 LBS	
6	GWF-05	5/8" GALV FLAT WASHER, 1.7OD	32	0.06 LBS	
7	GWL-05	5/8" GALV LOCK WASHER	16	0.03 LBS	
8	GN-05	5/8" GALV HEX NUT	24	0.08 LBS	
9	GB-05205	5/8" X 2" GALV BOLT KIT	4	0.26 LBS	
10	GUB-53560	5/8" X 3-5/8" X 6" GALV U-BOLT	3	1.30 LBS	
11	MT-547	3.5" O.D. X 21' PIPE	1	127.42 LBS	

A

DENSITY		lbs/in <sup>3</sup>
MASS	269.54	lbs
VOLUME	952.38	in <sup>3</sup>
SURFACE AREA	8529.70	in <sup>2</sup>
HEIGHT	11.19[284.2]	
LENGTH	34.77[883.2]	
WIDTH	288.03[2316.0]	

© 2023 CommScope, Inc. Confidential

COMMSCOPE, INC. OF NORTH CAROLINA											
TOLERANCES					SAP MATERIAL MASTER						
1 PLACE .X[X] ± 0.2[6.3]			3 PLACE .XXX[X] ± 0.060[1.5]		<b>MD-CS-21R</b>						
2 PLACE .XX[X] ± 0.12[3.0]			ANGLES ± 2°								
FINISH					MATERIAL						
<b>CHANNEL SUPPORT, 21 FT, MW DISH</b>											
UNLESS OTHERWISE SPECIFIED DIMENSIONS ARE IN INCHES INTERPRET PER ANSI Y 14.5M-1994		NAME	DATE	<b>MD-CS-21R</b>							
		CE	LS1146							07SEP23	
		RW	LS1146							09/25/2023	
		AD	YZ1080							09/26/2023	
RE		YMENG	09/26/2023	SCALE	DOCUMENT NO.						
ECN		40178694CMO			1:28						
SIZE	Auth Group	INSL	MODEL			DRAWING				SHEET 1 OF 2	
C			VERSION	STATUS	REVISION	VERSION	STATUS	REVISION			
			00	IW	A	00	RE	A			

A

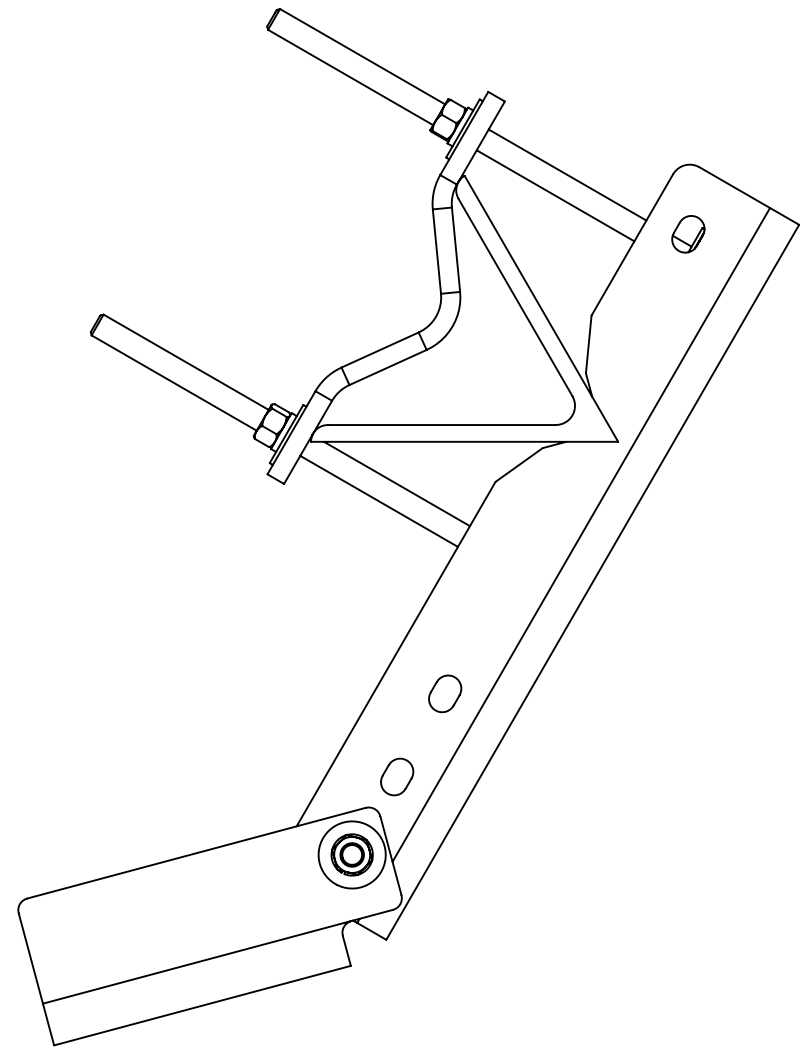
4

3

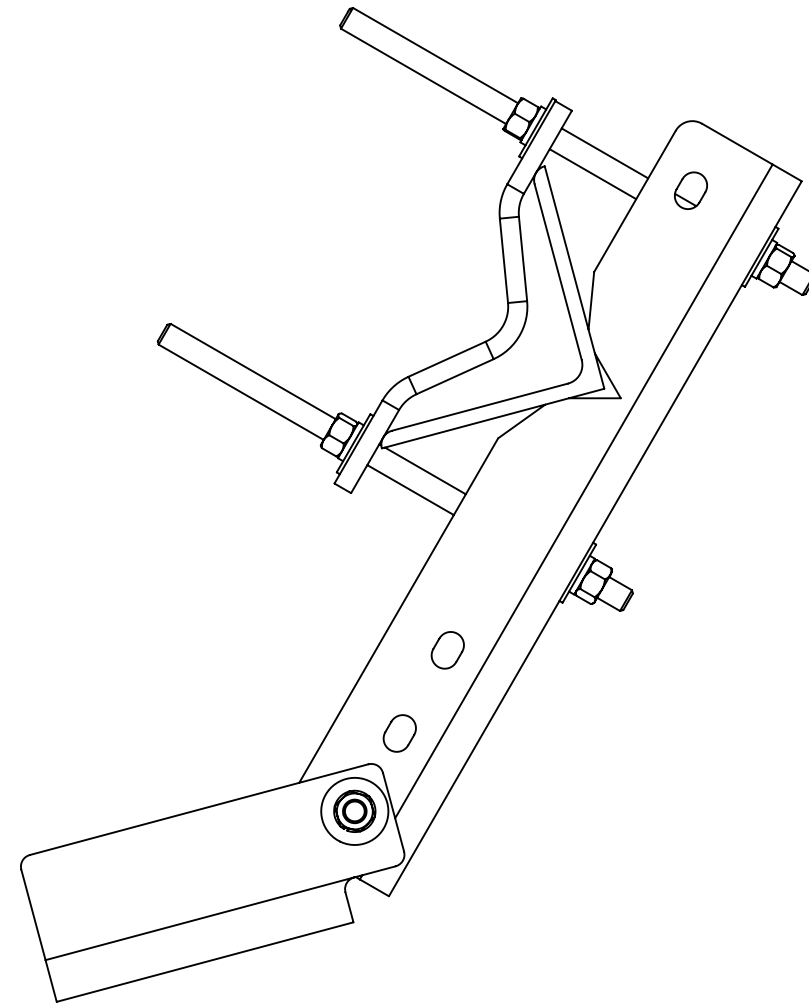
2

1

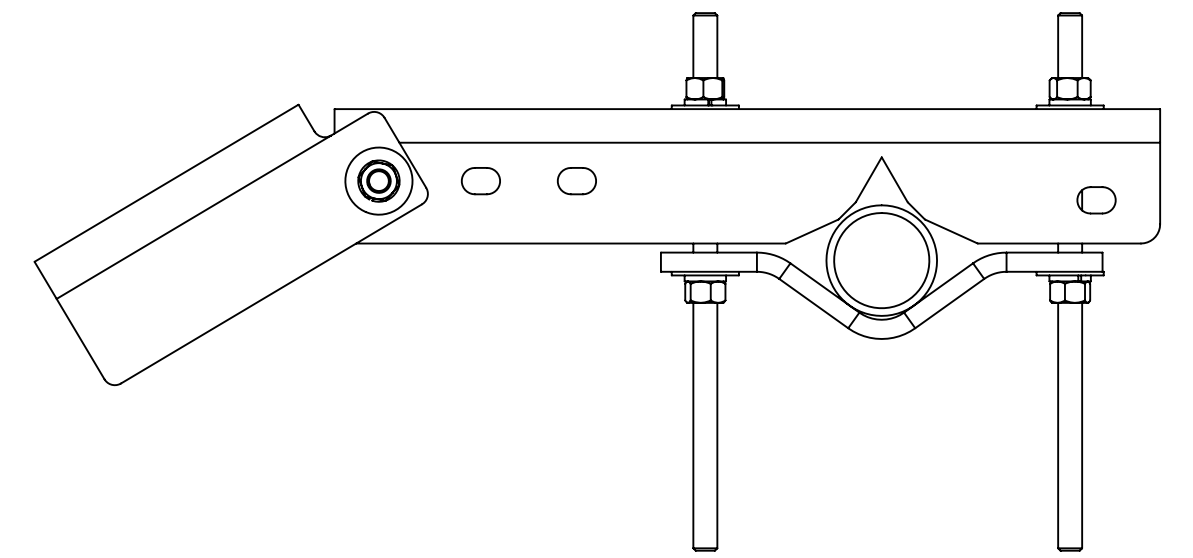
# OPTIONAL MOUNTING




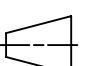
60° TOWER LEGS UP TO 8" X 8" ANGLE



90° TOWER LEGS UP TO 6" X 6" ANGLE



ROUND TOWER LEGS UP TO  $\phi$  8" OD

COMMSCOPE, INC. OF NORTH CAROLINA				
TITLE CHANNEL SUPPORT, 21 FT, MW DISH				
SIZE <b>C</b>	SCALE <b>1:5</b>	DOCUMENT NO. <b>MD-CS-21R</b>		
 		DRAWING		SHEET 2 OF 2
		VERSION 00	STATUS RE	