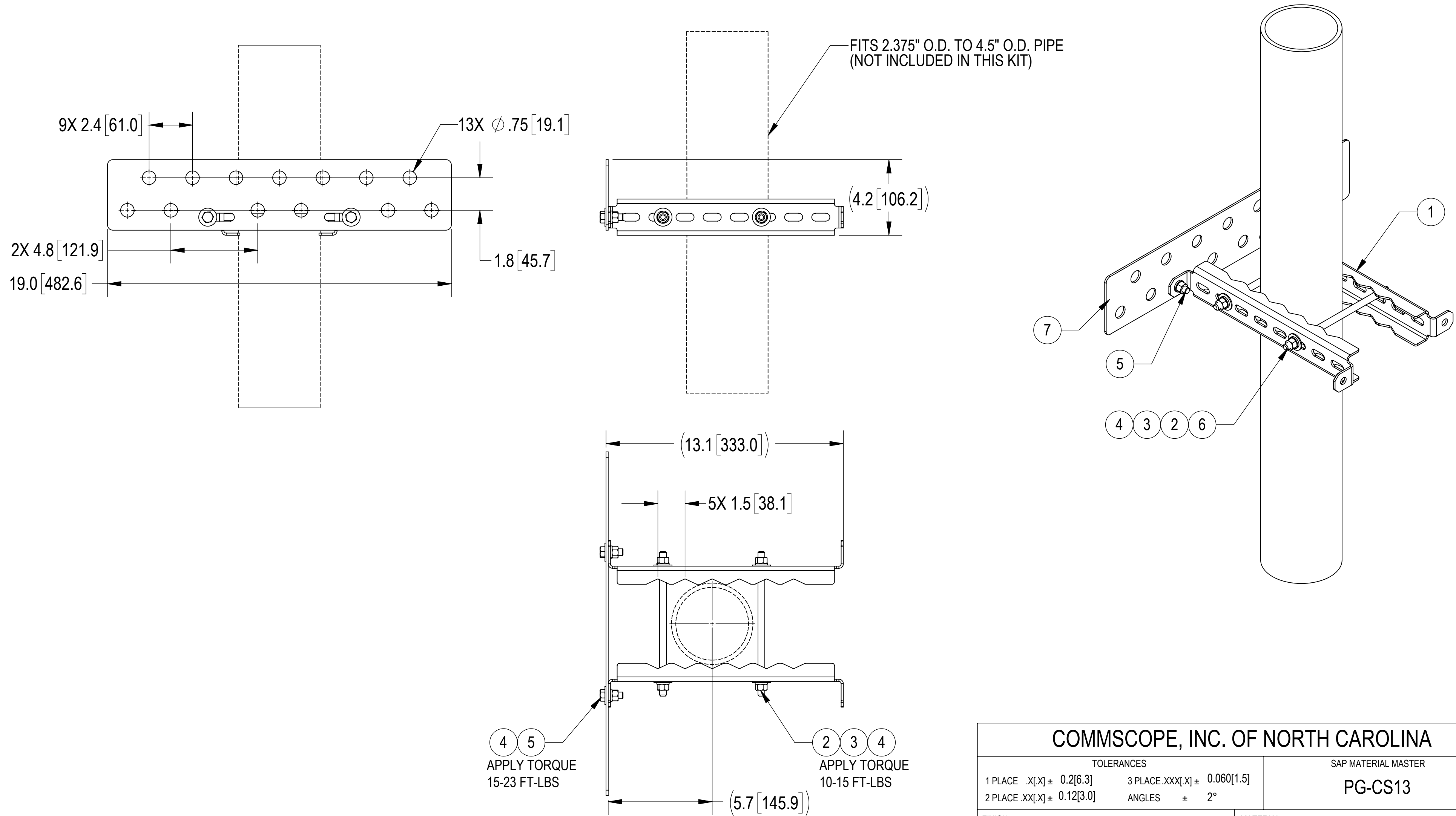


- 1.0 GENERAL NOTES
 1.1 ALL METRIC DIMENSIONS ARE IN BRACKETS [X.X]
 1.2 FOR PATENT INFO: <https://www.cs-pat.com>
 2.0 DESIGN NOTES
 3.0 MANUFACTURING/SPECIAL REQUIREMENTS
 3.1 TIGHTEN ALL BOLTS SECURING FLAT PLATES BY THE TURN-OF-NUT METHOD.
 4.0 TEST
 5.0 PACKAGING
 5.1 PACKAGING SHALL MEET COMMSCOPE REQUIREMENTS PER DOCUMENT IS-PL-3005
 5.2 PRINTED DOCUMENT TO BE PLACED INSIDE POLYBAG AND THEN IN SHIPPING CONTAINER
 5.3 EXTRA HARDWARE MAYBE SUPPLIED, BAGGED AND SHIPPED

REVISIONS			
REV.	DESCRIPTION	DATE	APPROVED
A	INITIAL RELEASE	LS1146 30NOV23	XK1001 40183317CMO



COMPONENT PART NUMBERS PROVIDED FOR ASSEMBLY PURPOSES;
 INDIVIDUAL COMPONENTS MAY BE SHIPPED AS PARTS WITHIN AN INCLUDED KIT.

ITEM NO.	PART NUMBER	DESCRIPTION	QTY.	WEIGHT	NOTE NO.
1	PGCS-CLAMP-00	CLAMP, CABLE SUPPORT, 6 NOTCHES	2	1.40 LBS	
2	GN-03	3/8" GALV HEX NUT	4	0.02 LBS	
3	GWL-03	3/8" GALV LOCK WASHER	4	0.01 LBS	
4	GWF-03	3/8" GALV FLAT WASHER	6	0.01 LBS	
5	GB-03105	3/8" X 1" GALV BOLT KIT	2	0.05 LBS	
6	GD03800	3/8" X 8" GALV THREADED ROD	2	0.25 LBS	
7	PGCS13-1000-00	PLATE, 13 HOLE, 19"X3.9"X.12", GALV	1	2.28 LBS	

DENSITY		lbs/in ³
MASS	38.78	lbs
VOLUME	136.49	in ³
SURFACE AREA	1340.78	in ²
HEIGHT	1.50"	
LENGTH	12.0"	
WIDTH	5.5"	

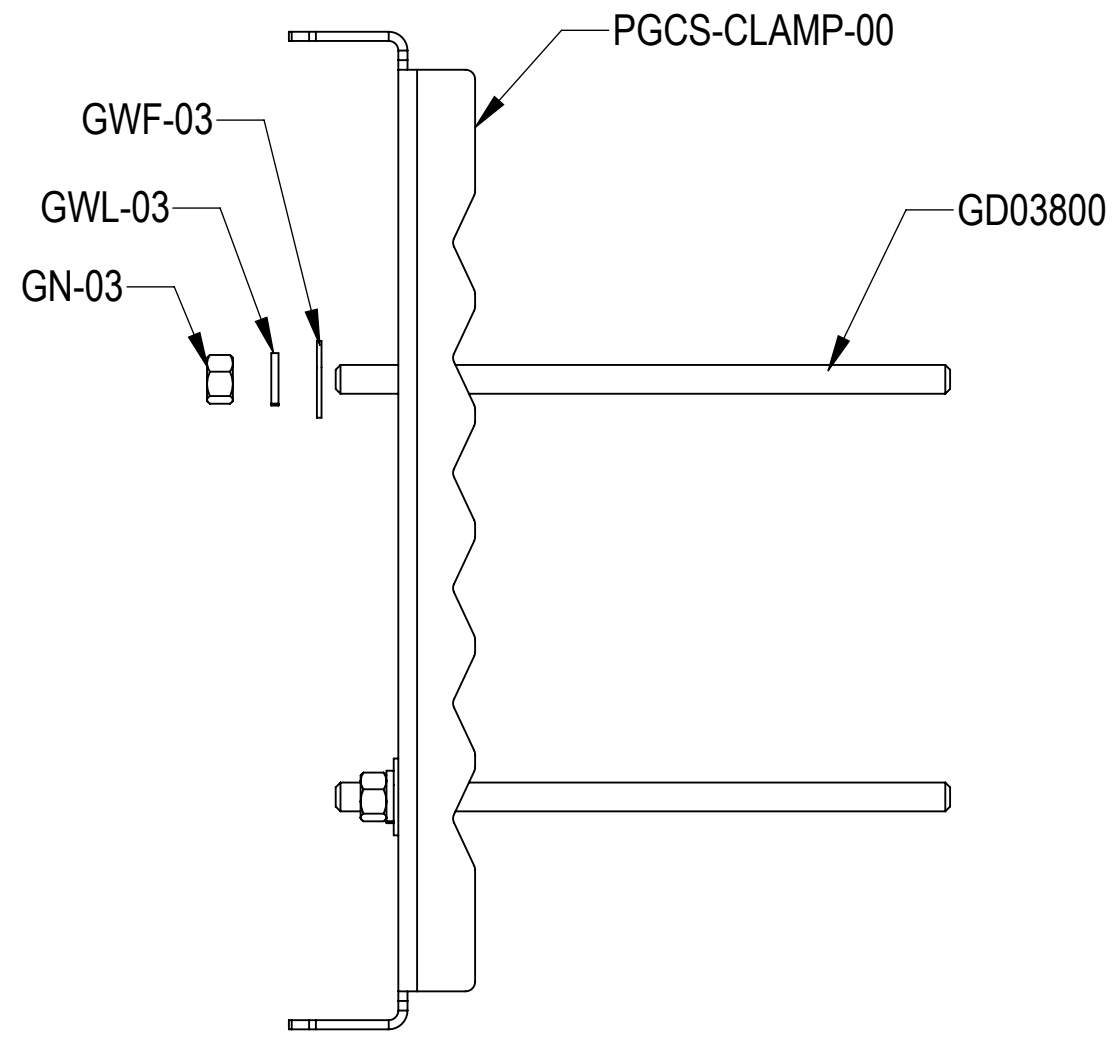
© 2023 CommScope, Inc.

COMMSCOPE, INC. OF NORTH CAROLINA											
TOLERANCES					SAP MATERIAL MASTER						
1 PLACE .X[X] ± 0.2[6.3]		3 PLACE .XXX[X] ± 0.060[1.5]			PG-CS13						
2 PLACE .XX[X] ± 0.12[3.0]		ANGLES ± 2°			FINISH						
MATERIAL					TITLE						
UNLESS OTHERWISE SPECIFIED DIMENSIONS ARE IN INCHES INTERPRET PER ANSI Y 14.5M-1994					PIM GUARD CABLE SUPPORT KIT, 13 HOLE						
CE	LS1146	30NOV23	SCALE							DOCUMENT NO.	
RW	YMENG	12/28/2023	1:5							PG-CS13	
AD	XK1001	01/05/2024	ECN 40183317CMO								
RE	YMENG	01/05/2024	SIZE								
Auth Group			INSL			MODEL			DRAWING		
C			00			RE			A		
VERSION			STATUS			REVISION			VERSION		
00			RE			A			00		
STATUS			REVISION			VERSION			STATUS		
RE			A			00			RE		
REVISION			VERSION			STATUS			REVISION		
A			00			RE			A		
SHEET											
1 OF 2											

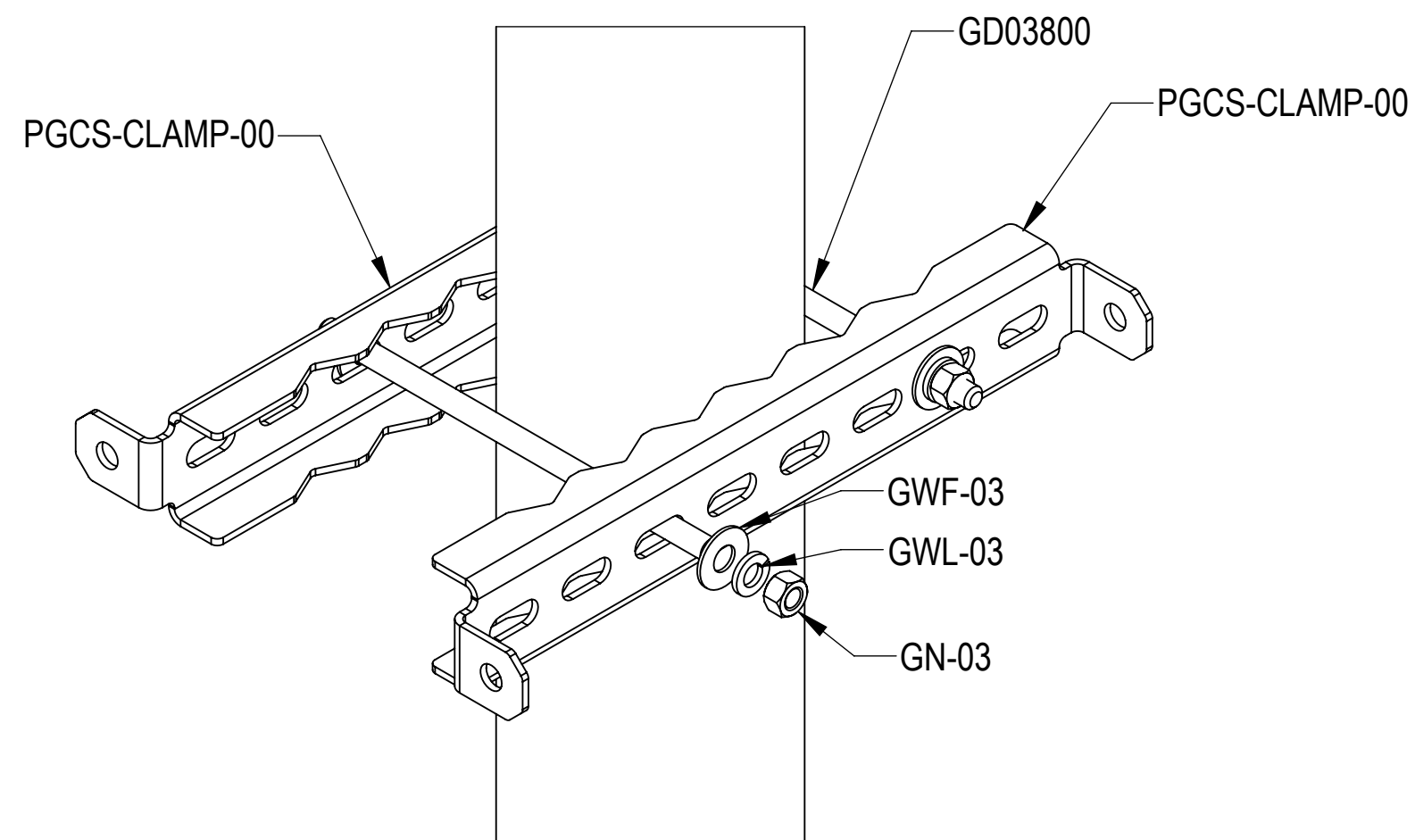
4

3

STEP 1: ATTACH THREADED RODS (GD03800) TO THE CLAMP(PGCS-CLAMP-00).
(TORQUE 10-15 FT-LBS)



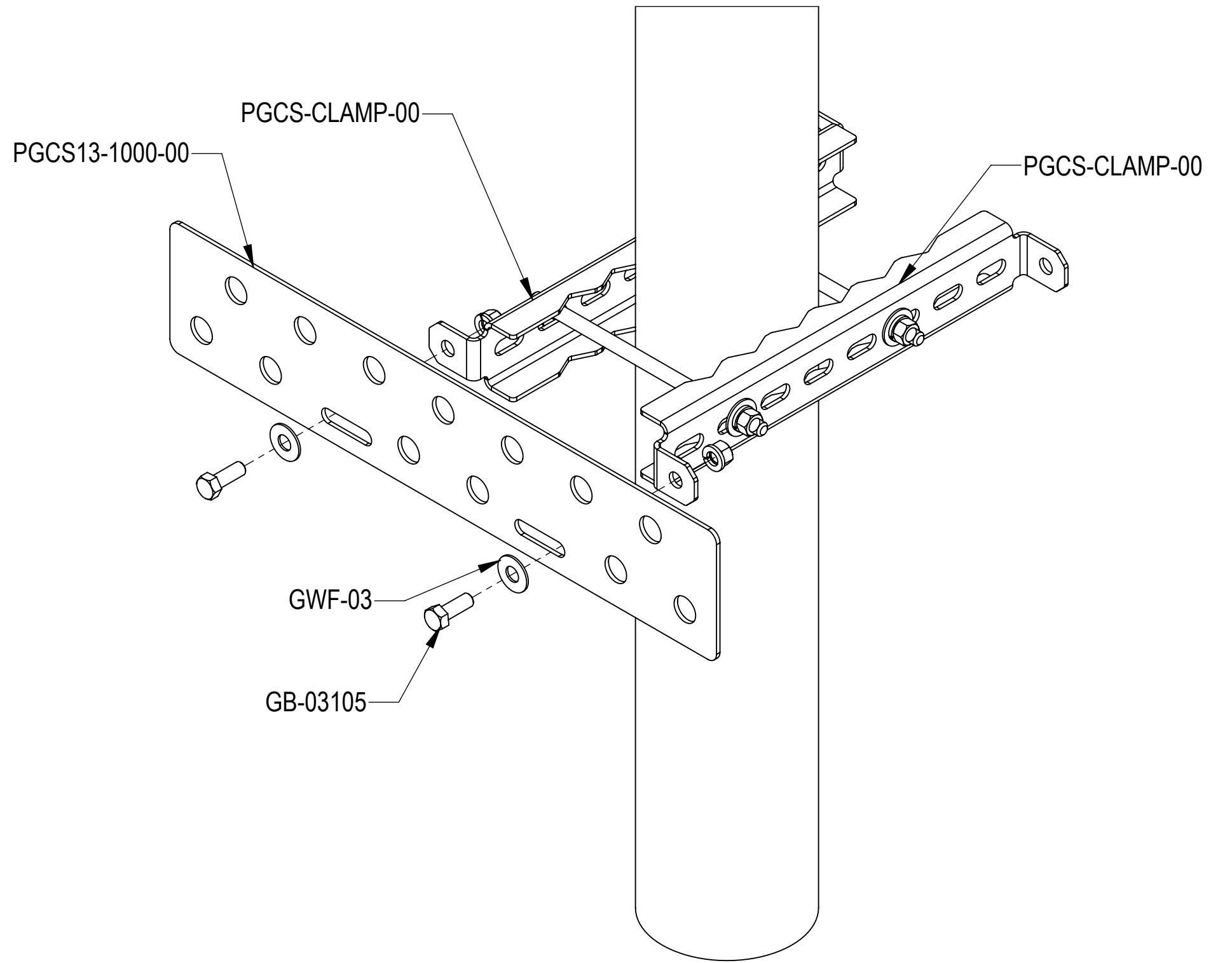
STEP 2: ATTACH A PAIR OF CLAMP(PGCS-CLAMP-00) TO POLE.(TORQUE 10-15 FT-LBS)


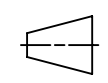


2

1

STEP 3: ATTACH PIM GUARD PLATE(PGCS13-1000-00) TO CLAMP(PGCS-CLAMP-00).
(TORQUE 15-23 FT-LBS)



COMMSCOPE, INC. OF NORTH CAROLINA					
TITLE PIM GUARD CABLE SUPPORT KIT, 13 HOLE					
SIZE C	SCALE 1:10	DOCUMENT NO. PG-CS13			
 		DRAWING			SHEET 2 OF 2
		VERSION 00	STATUS RE	REVISION A	

© 2023 CommScope, Inc.

4

3

2

1