

4

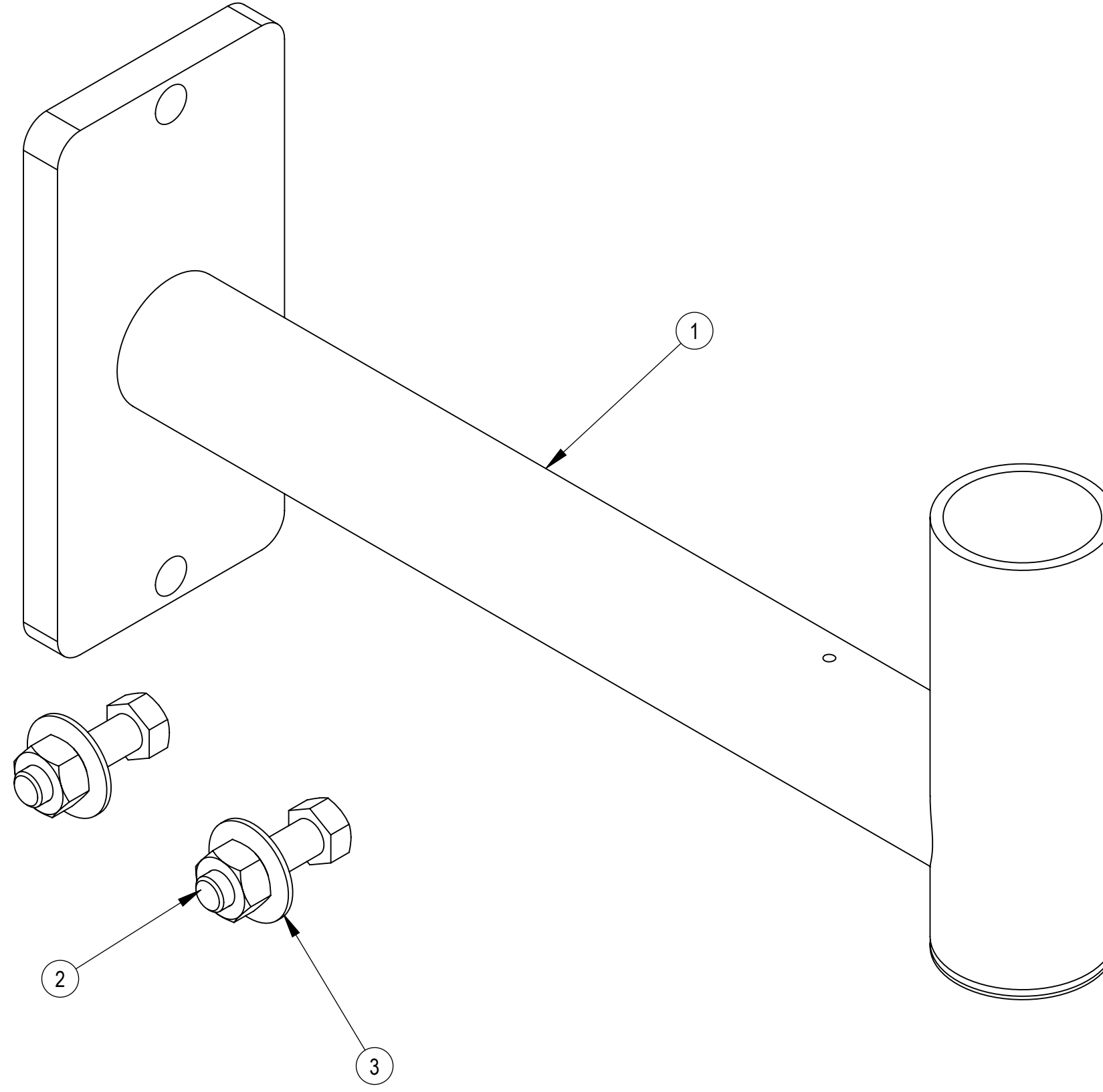
3

2

1

- 1.0 GENERAL NOTES
- 2.0 DESIGN NOTES
- 3.0 MANUFACTURING/SPECIAL REQUIREMENTS
 - 3.1 BREAK SHARP EDGES AND DEBURR FOR SAFE HANDLING
 - 3.2 FINISH: -X SUFFIX ON PRODUCT PART NUMBER REPRESENTS SPECIFIC COLOR AND/OR FINISH. REFER TO METROCELL DOCUMENT MTM1004 FOR SPECIFIC COLOR/FINISH REQUIREMENTS.
- 4.0 TEST
- 5.0 PACKAGING
 - 5.1 PACKAGING SHALL MEET COMMSCOPE REQUIREMENTS PER DOCUMENT IS-PL-3005

REVISIONS				
REV.	ECN	DESCRIPTION	BY	DATE
A	8000035208	INITIAL RELEASE	MMCFALL	5/17/2019
B	8000036479	CORRECTED BOM, ITEM 2 WAS GB-0624A	SF1043	07/18/2019
C	8000037076	ADD CONFIGURATION	GR1010	09/23/2019
D	10691	ADDED SHT 2, -SX, CHANGE TO 2.25" BOLTS ON SHT 1.	RW1043	5/12/21
E	40152901CMO	EXTRACT "860639396 AX" FROM EXISTING SWD "860639396-XX" DRAWING AND CREATE SWD FOR IT	FZ1024	07/25/2022



A COMPONENT PART NUMBERS PROVIDED FOR ASSEMBLY PURPOSES; INDIVIDUAL COMPONENTS MAY BE SHIPPED AS PARTS WITHIN AN INCLUDED KIT.

ITEM NO.	PART NUMBER	DESCRIPTION	QTY.
1	860499995-105-XX	MTG POLE, LUM ARM, ACORN LIGHT ADAPTER	1
2	GB-0522A	5/8" X 2-1/4" GALV BOLT KIT (A325)	2
3	GWF-05	5/8" GALV FLAT WASHER, 1.7OD	2

DENSITY	16.56	lbs/in ³
MASS	70.68	lbs
VOLUME	70.68	in ³
SURFACE AREA	551.53	in ²
HEIGHT	12.23"	
LENGTH	7.69"	
WIDTH	20.94"	

COMMSCOPE, INC. OF NORTH CAROLINA										
TOLERANCES					SAP MATERIAL MASTER					
1 PLACE .X ± N/A		3 PLACE .XXX ± N/A			860639396-AX					
2 PLACE .XX ± N/A		ANGLES ± N/A								
FINISH SEE NOTES					MATERIAL N/A					
UNLESS OTHERWISE SPECIFIED DIMENSIONS ARE IN INCHES INTERPRET PER ANSI Y 14.5M-1994	CE	FZ1024	08/09/2022	MISC, LUM ARM, LIGHT ADAPTER						
	RW	FZ1024	08/09/2022							
	RV									
	AD	AG1119	08/16/2022							
	RE	DM1121	08/16/2022							
ECN 40152901CMO				SCALE	DOCUMENT NO.					
				1:2	860639396-AX					
SIZE	WORK AREA	INSL	MODEL			DRAWING				SHEET 1 OF 1
C			VERSION	STATUS	REVISION	VERSION	STATUS	REVISION		
			00	RE	E	00	RE	E		

4

3

2

1