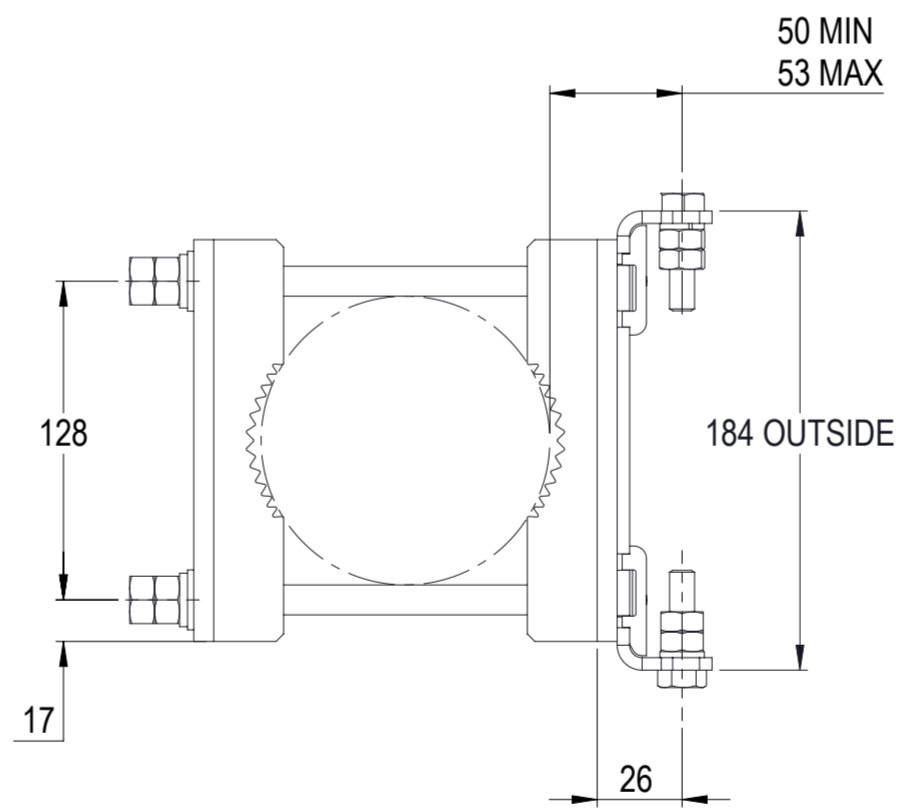
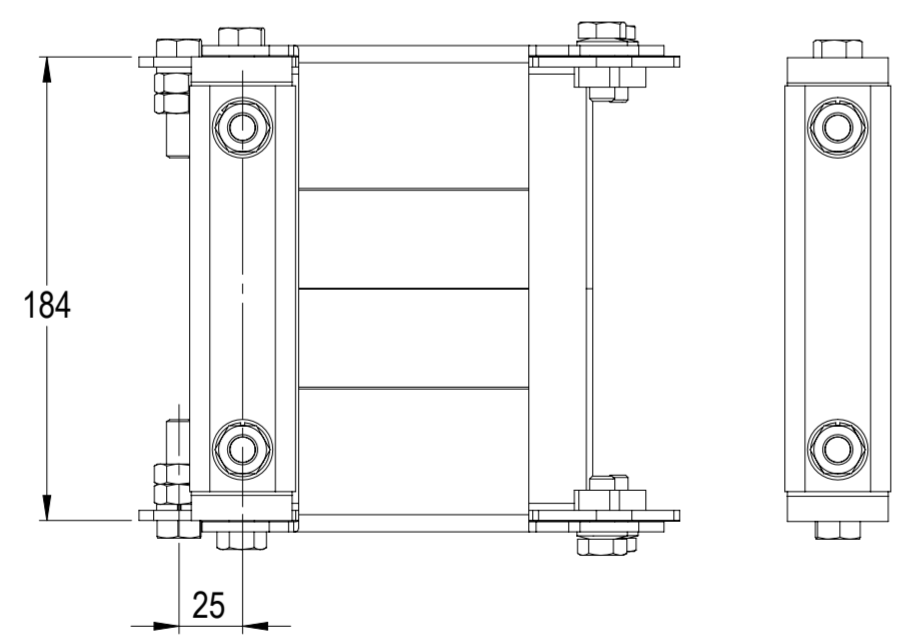
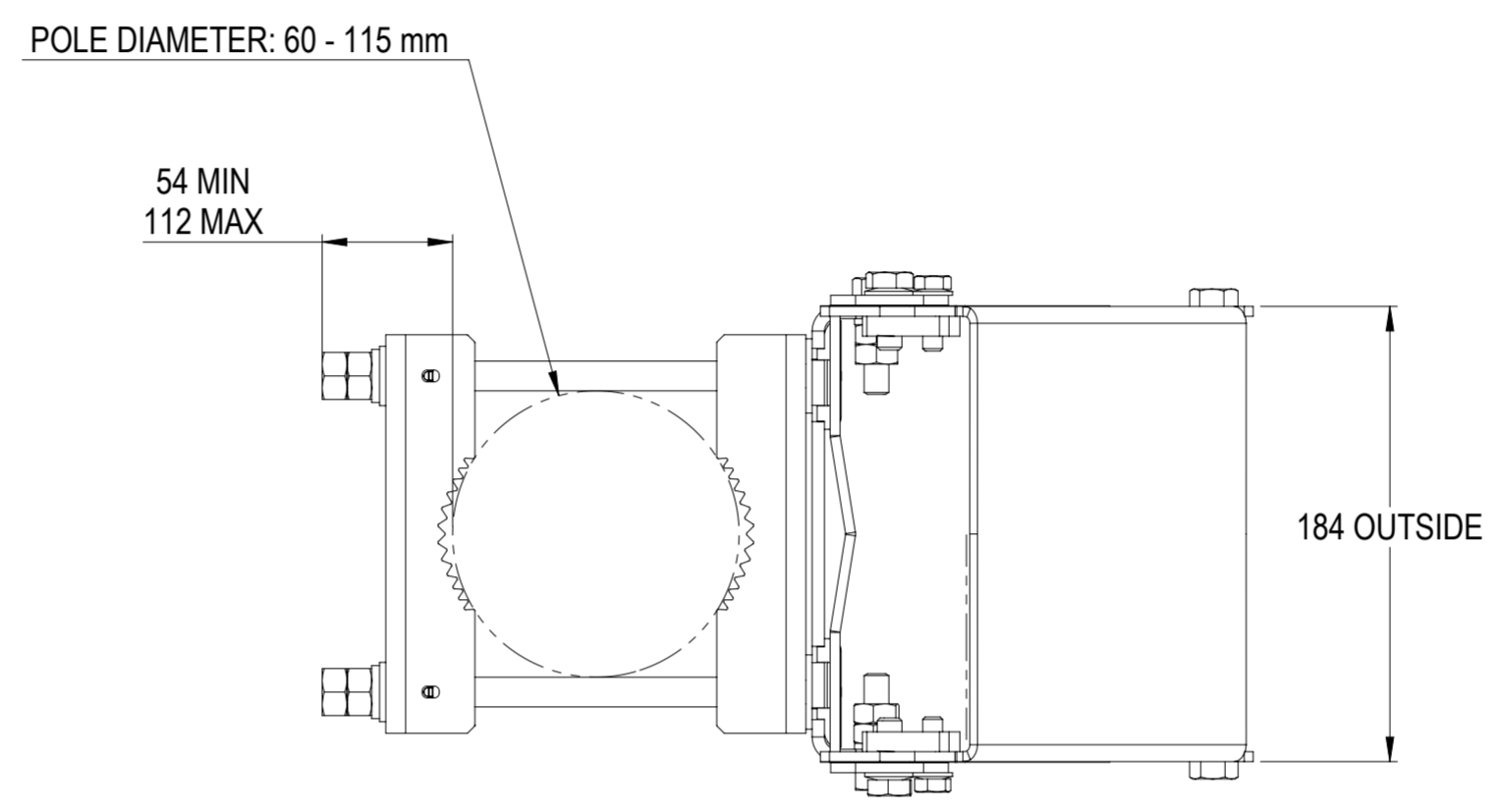
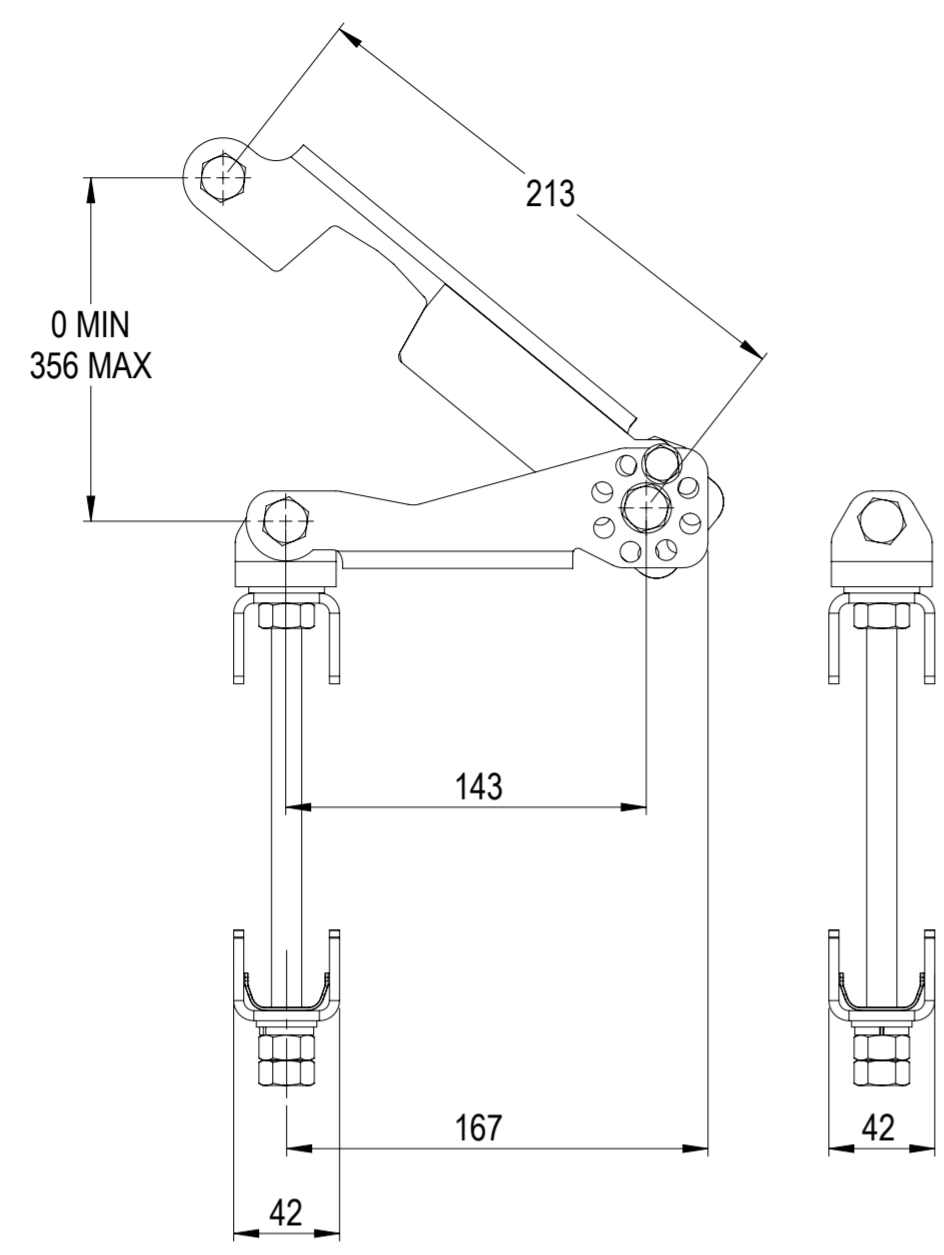


REVISIONS			
REV.	DESCRIPTION	DATE	APPROVED
A	ECR 8000020883: RELEASE TO PRODUCTION PER EAO 604101.	09MAR17 HWN	KDI / WU.BO
B	ECR 8000037116: ADD DIMS.	29AUG19 DXJ	KDI / ZH.JIAN
C	ECR 8000039485: UPDATE DRAWING WITH LATEST MODEL.	29FEB20 QF	S.LIU/HANSEN.W
D	ECR 8000042375: UPDATE DRAWING WITH LATEST MODEL.	02SEP20 CN	PL.TANG/HANSEN.W



BSAMNT-4

COMMSCOPE, INC. OF NORTH CAROLINA																															
TOLERANCES						SAP MATERIAL MASTER																									
0 PLACE X ±			2 PLACE .XX ±			1 PLACE .X ±			ANGLES ±																						
FINISH N/A						MATERIAL N/A																									
PRODUCT DRAWING																															
SCALE: 1:2 DOCUMENT NO. BSAMNT-4-L																															
ECN 8000042375-O																															
<table border="1"> <thead> <tr> <th>REV</th> <th>NAME</th> <th>DATE</th> <th>TITLE</th> </tr> </thead> <tbody> <tr> <td>CE</td> <td>HWN</td> <td>09/03/2017</td> <td rowspan="5" style="text-align: center;">PRODUCT DRAWING</td> </tr> <tr> <td>RW</td> <td>NC1020</td> <td>09/04/2020</td> </tr> <tr> <td>RV</td> <td>PLTANG</td> <td>09/08/2020</td> </tr> <tr> <td>AD</td> <td>HW8003</td> <td>09/08/2020</td> </tr> <tr> <td>RE</td> <td>ZHHCHEN</td> <td>09/09/2020</td> </tr> </tbody> </table>												REV	NAME	DATE	TITLE	CE	HWN	09/03/2017	PRODUCT DRAWING	RW	NC1020	09/04/2020	RV	PLTANG	09/08/2020	AD	HW8003	09/08/2020	RE	ZHHCHEN	09/09/2020
REV	NAME	DATE	TITLE																												
CE	HWN	09/03/2017	PRODUCT DRAWING																												
RW	NC1020	09/04/2020																													
RV	PLTANG	09/08/2020																													
AD	HW8003	09/08/2020																													
RE	ZHHCHEN	09/09/2020																													
SIZE: A2			WORK AREA: 23			MODEL: RE			DRAWING: C			SHEET: 1 OF 1																			
VERSION: 02			STATUS: RE			REVISION: C			VERSION: 03			STATUS: RE																			
REVISION: D			DRAWING: RE			REVISION: D			DRAWING: RE			REVISION: D																			

DENSITY	g/mm ³
MASS	grams
VOLUME	mm ³
SURFACE AREA	mm ²
HEIGHT	
LENGTH	
WIDTH	