

4

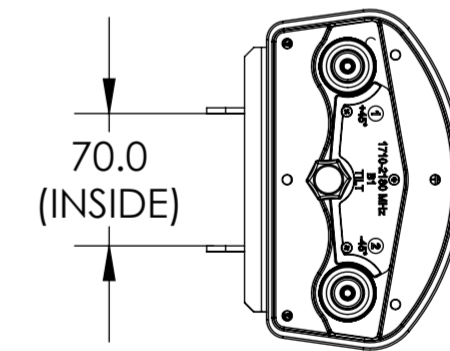
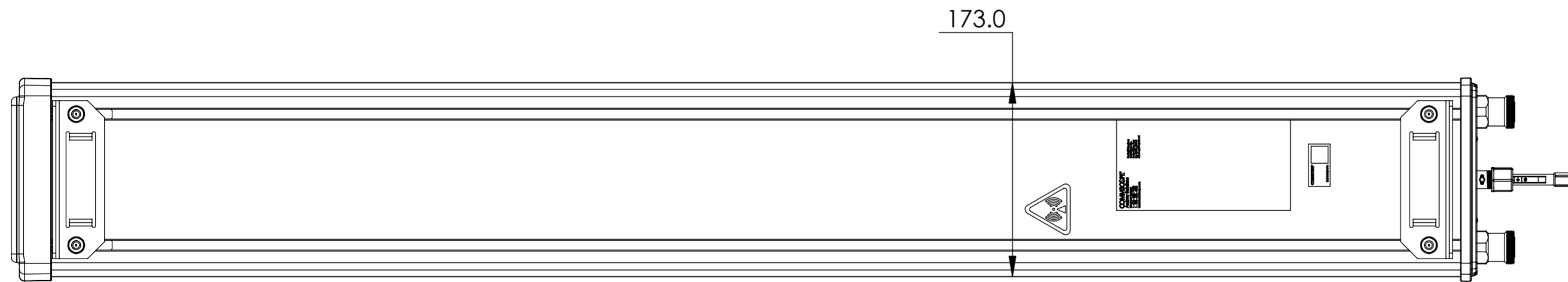
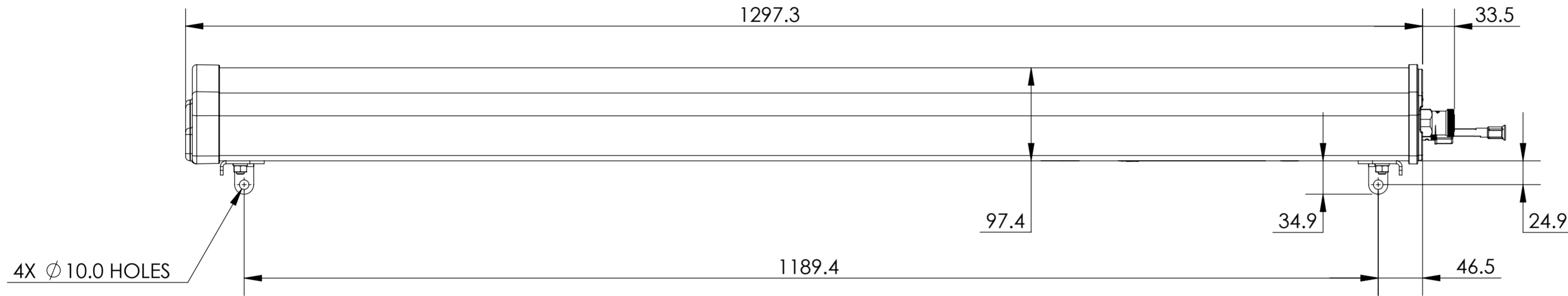
3

2

1

NOTES:

REVISIONS			
REV	DESCRIPTION	DATE	APPROVED
A	ECR 5064202: REL TO PRODUCTION.	26SEP07 YMH	J.SUN/GUXU
F	ECR 5102984: UPDATE VIEWS.	18FEB11 HY	S.LIU/GUXU
G	ECR 8000001359: UPDATE DRAWING.	10SEP13 YR	EB/GD
H	ECR 8000005403: ADD DXF FILE.	20OCT14 QF	S.LIU/JIHE
J	ECR 8000011515: UPDATE DRAWING.	15DEC15 YR	S.LIU/JIHE



HBX-9014DS-VTM

MATERIAL	DENSITY:	UNLESS OTHERWISE SPECIFIED DIMENSIONS ARE IN MILLIMETERS INTERPRET PER ISO STANDARDS HANDBOOK TECHNICAL DRAWINGS VOLUMES 1 & 2, THIRD EDITION (2002)	WESTCHESTER, IL. 60154 U.S.A.	
	MASS:			
FINISH	TOLERANCES		THIRD ANGLE PROJECTION	
	0 PLACE X ± 3			
	1 PLACE .X ± 1.0			
	2 PLACE .XX ± 0.20			
ANGLES ± 0.5°		DRAWN BY YMH 26SEP07	SIZE A2	CAGE CODE 84147
ALL SURFACES ✓		ECN 8000011515-O	DOCUMENT NO. HBX-9014DS-VTM-L	
NOTICE: These drawings and specifications are the proprietary property of ANDREW CORPORATION and may be used only for the specific purpose authorized in writing by Andrew.		AUTH. GROUP 23	MODEL	DRAWING
		VERSION 12	STATUS RE	REVISION N
			VERSION 09	STATUS RE
				REVISION J
				SHEET 1 OF 2

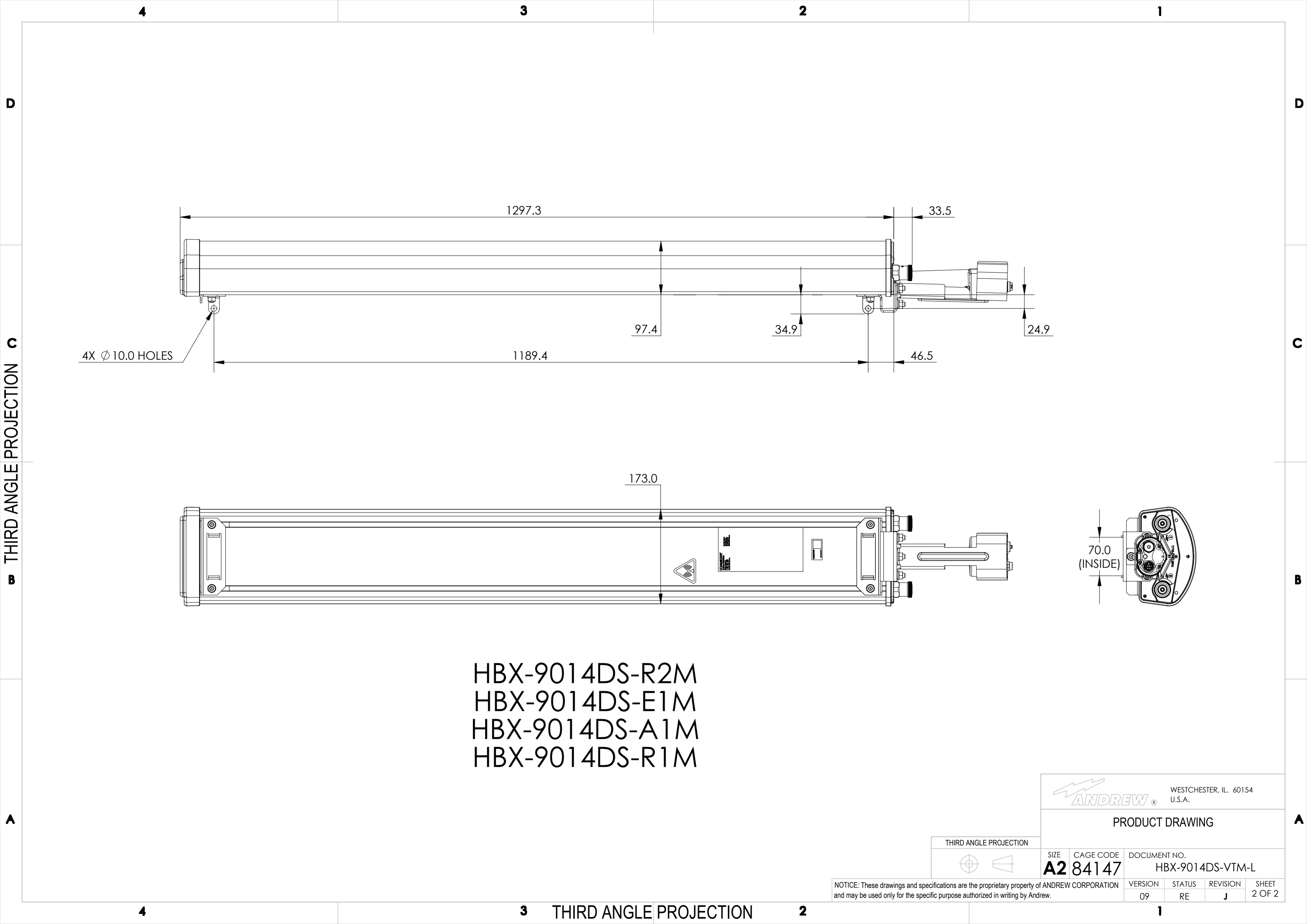
4

3

2


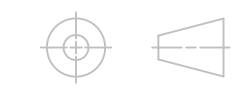
1

THIRD ANGLE PROJECTION



4X Ø 10.0 HOLES

HBX-9014DS-R2M
 HBX-9014DS-E1M
 HBX-9014DS-A1M
 HBX-9014DS-R1M

		WESTCHESTER, IL. 60154 U.S.A.	
PRODUCT DRAWING			
THIRD ANGLE PROJECTION 		SIZE A2	CAGE CODE 84147
		DOCUMENT NO. HBX-9014DS-VTM-L	
VERSION 09	STATUS RE	REVISION J	SHEET 2 OF 2

NOTICE: These drawings and specifications are the proprietary property of ANDREW CORPORATION and may be used only for the specific purpose authorized in writing by Andrew.