

# DM-CAPKIT

## 7-16 DIN Male End Cap Assembly

### Product Classification

<b>Product Type</b>	Surge arrestor accessory
<b>Ordering Note</b>	CommScope® non-standard product

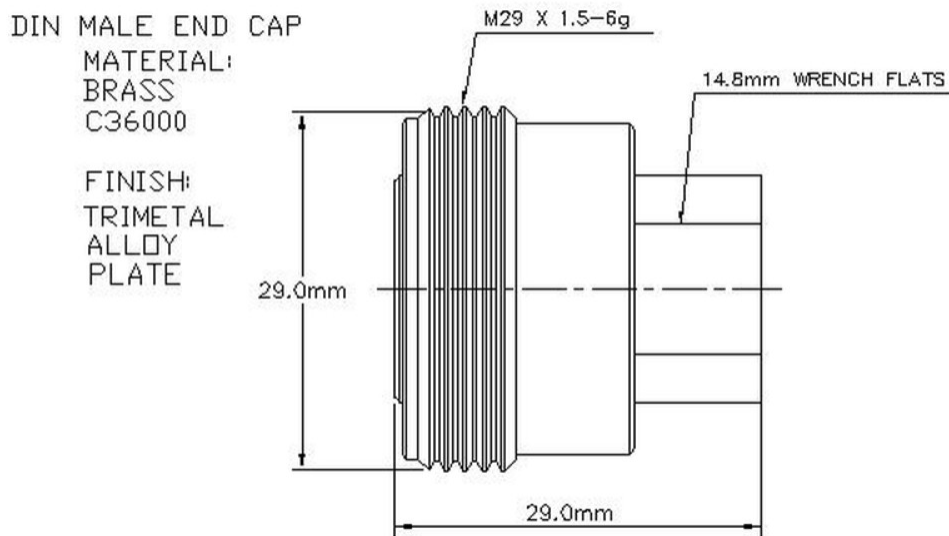
### General Specifications

<b>Interface</b>	7-16 DIN Male
------------------	---------------

### Dimensions

<b>Height</b>	92.01 mm   3.622 in
<b>Width</b>	111.13 mm   4.375 in
<b>Length</b>	190.5 mm   7.5 in

### Outline Drawing



### Mechanical Specifications

<b>Mechanical Shock Test Method</b>	IEC 60068-2-27
-------------------------------------	----------------

# DM-CAPKIT

---

## Environmental Specifications

<b>Operating Temperature</b>	-55 °C to +85 °C (-67 °F to +185 °F)
<b>Storage Temperature</b>	-65 °C to +125 °C (-85 °F to +257 °F)
<b>Corrosion Test Method</b>	IEC 60068-2-11
<b>Immersion Depth</b>	1 m
<b>Immersion Test Mating</b>	Mated
<b>Immersion Test Method</b>	IEC 60529:2001, IP68
<b>Moisture Resistance Test Method</b>	IEC 60068-2-3
<b>Thermal Shock Test Method</b>	IEC 60068-2-14
<b>Vibration Test Method</b>	IEC 60068-2-6

## Packaging and Weights

<b>Packaging quantity</b>	1
<b>Weight, net</b>	81 g   0.179 lb

## Regulatory Compliance/Certifications

<b>Agency</b>	<b>Classification</b>
ISO 9001:2015	Designed, manufactured and/or distributed under this quality management system

## \* Footnotes

<b>Immersion Depth</b>	Immersion at specified depth for 24 hours
------------------------	---