

xDSL Splitters

LSA-PLUS® quick connection technology we have set the benchmark worldwide for over a quarter of a century. We have been continuously incorporating the know-how and experience we acquire with LSA-PLUS® into the wide variety of application areas based on connection technology for copper networks. Thereby, Commscope xDSL splitters are based on LSA-PLUS® technology as well.

The XDSL technology is dominated through various legacy protocol versions using actually most common ADSL2, VDSL, VDSL2 types.

The most actual vectored VDSL2 configurations is optimized for high speed Internet connections with a max. downstream rate of up to 100 Mbit/s and upload rates up to 40 Mbit/s in private homes, home-offices and small to medium enterprises.

The essential hardware consists of DSLAM / MSAN data line cards installed by the network provider in the access net at the conversion point from fiber to copper and corresponding Modem units at the subscriber side.

In legacy scenarios with separated POTS and Data services the installation of xDSL splitter units is required to separate the voice and data signals which are transmitted along the same copper cable towards the customer side.

Single 8-Port Splitter Module

Description

The 8-port splitter module gives the opportunity to integrate the function of an xDSL-splitter into main distribution frames or cross-connection cabinets.

Its basic design is for deployment in 95mm space profile rod systems. (With additional use of accessories it is possible to mount it into other frames.).

Features and Benefits

- Compact 8-port design applicable for all DSLAM port counts
- Thin layer plastic gives high density
- Short installation time as easy to click on profile rod systems
- 17-pole edge connectors are based on LSA-PLUS® technology
- 8-port splitter available with all ITU standard splitter cards

8-Port Splitter Module – Installation

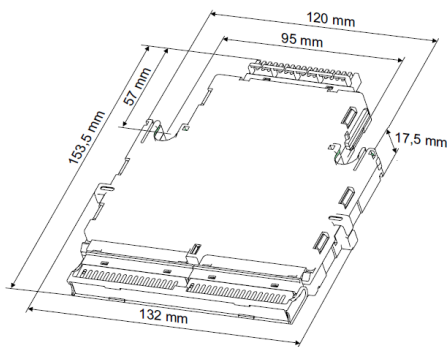
The ports on the back-side of the splitter module must be connected to the DSLAM by 8-pair cables with or without shielding drain wire. The connectors on the front side offer the ports for the low frequency application (ISDN or POTS) on the left side; the right side is used to connect the subscriber lines carrying the mixed signal.

All connectors can be terminated by using the standard LSA-PLUS® insertion tool. Change of modules can easily be done by removing the edge connectors. While changing the modules, the wires remain terminated to all connectors.

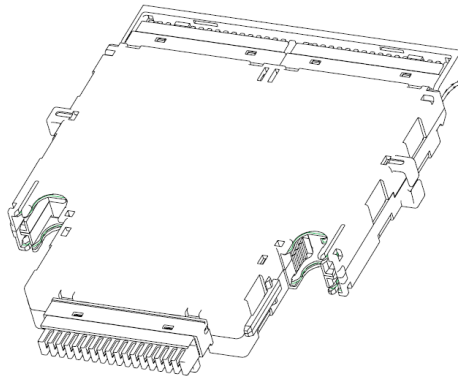
Product Specifications

Operating Temperature:	-40°C to +70°C (this may vary dependent on the splitter card used)
Storage temperature:	-40°C to +70°C
Environmental conditions:	DIN IEC 68 Part 2-1 (cold), Part 2-2/3 (heat)
Mechanical load:	Sinusoidal vibration according to IEC 68-2-6

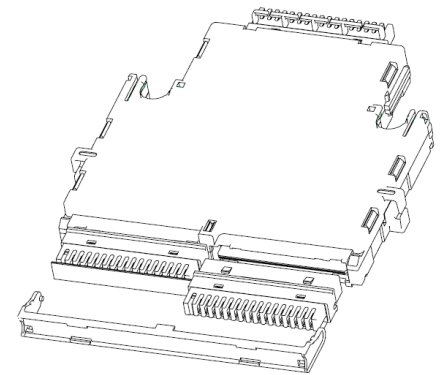
Dimensions



Front view



Rear view



Removal of connections

Ordering Information

Order No.										
ADSL	ADSL2+	VDSL	VDSL2	ISDN (2B1Q)	POTS 600Ω Combination	POTS 600Ω	POTS ETSI	Blocking Capacitor	Overtoltage protection	
X	X	X	X	X	X			X		HLF-70732202-20*
X	X	X	X				X	X		HLF-70732216-30*
X	X	X	X				X			HLF-70732216-35
X	X	X	X				X	X	X	HLF-70732216-80*
X	X	X	X				X		X	HLF-70732216-90
X	X	X	X			X		X		HLF-70732219-30
X	X	X	X			X		X	X	HLF-70732219-75*

*NOTE: Can be supported upon request.

Multiple 8-port - High density splitters

Description

These splitter cards being used in combination with housings that can accommodate 3 or 4 cards based on housing type. This solution deliver flexibility when adding splitter cards later on.

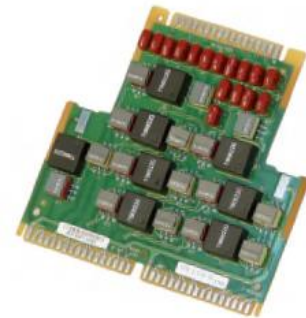
ADSL2+ and VDSL2 splitters separate high-frequency signals from low-frequency voice signals. This enables common use of a copper pair for both telephony services and high bit-rate data service.

Direct installation in existing or new distribution systems reduces setup and cabling time.

The splitter's modular design allows variants to be supplied that satisfy both technical specification or standards, as well as country-specific network characteristics. Depending on the configuration of existing distributors, overvoltage protection can be integrated directly into the splitter module or can be coordinated with or expanded by using protection circuits (installation on the line side).

Features and Benefits

- Splitter module for 24 or 32 subscriber lines
- Optimized for cabinet application
- Flexible PROFIL® rod installation
- Compact size
- Plastic cable guides
- Replaceable splitter boards
- Customer-specific overvoltage protection can be integrated
- Cost-effective and rapid installation in distribution systems
- VDSL2 and ADSL2+ splitter available for ETSI and ITU standards
- Supports VDSL2 up to 30 MHz as well as ADSL and ADSL2+ service
- LSA-PLUS® quick connection technology for subscriber side, as well as for access to system side and to the DSLAM



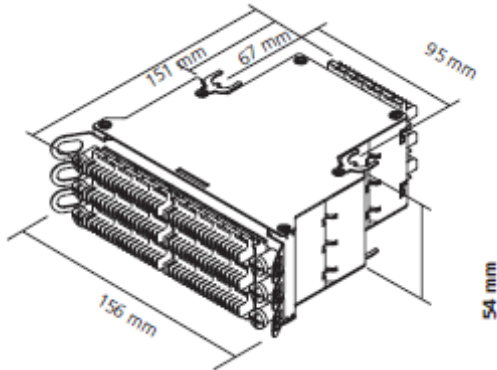
High Density Splitter – Installation

The splitter is installed in the local exchange at a hand-over distribution frame or in cross-connection cabinets with active telecommunication components in decentralized network topologies. The module housing snaps onto the rods of the 95mm PROFIL® rod system.

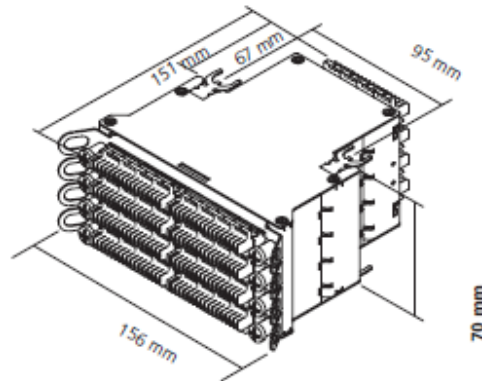
The housing – depending on the port figure – accommodates either three or four 8-port splitter cards. Termination of the subscriber side, as well as connection to both the system side and the DSLAM, is carried out line-by-line using the standard LSA-PLUS® insertion tool.

Splitter Housing types

Mounting frame for profile rod installation equipped with edge connector modules. Splitter cards are ordered separately.



24-Port Splitter Housing
up to 3 splitter cards



32-Port Splitter Housing
up to 4 splitter cards

Ordering Information - High Density Splitter Housings

	Application	Type of Edge Connector Module	Order No.
24-port splitter housing	For profile rods	With plastic cable guides, open	70732059-00
32-port splitter housing	For profile rods	With plastic cable guides, open	70732054-00

Ordering Information - High density splitter cards

8-Port Cards (For all High Density Splitter Housings; 24 or 32 Ports) Splitter board, 8-pair, t-shaped

Order No.										
ADSL	ADSL2+	VDSL	VDSL2	ISDN (2B1Q)	POTS 600Ω Combination	POTS 600Ω	POTS ETSI	Blocking Capacitor	Overtoltage protection	
X	X	X	X	X	X			X		HLF-70732002-20
X	X	X	X			X		X		70732019-30
X	X	X	X			X		X	X	HLF-70732019-75
X	X	X	X				X	X		70732016-30
X	X	X	X				X			HLF-70732016-35
X	X	X	X				X	X	X	HLF-70732016-80
X	X	X	X				X		X	HLF-70732016-90*

*NOTE: Can be supported upon request.

Product Specifications for assembly

TEMPERATURE CHARACTERISTICS

Operating temperature: -20°C to +70°C

Storage temperature: -40°C to +80°C

ENVIRONMENTAL CHARACTERISTICS

Environmental conditions: DIN IEC 68 Part 2-1 (cold), Part 2-2/3 (heat)

MECHANICAL CHARACTERISTICS

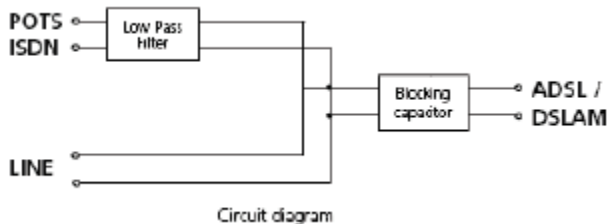
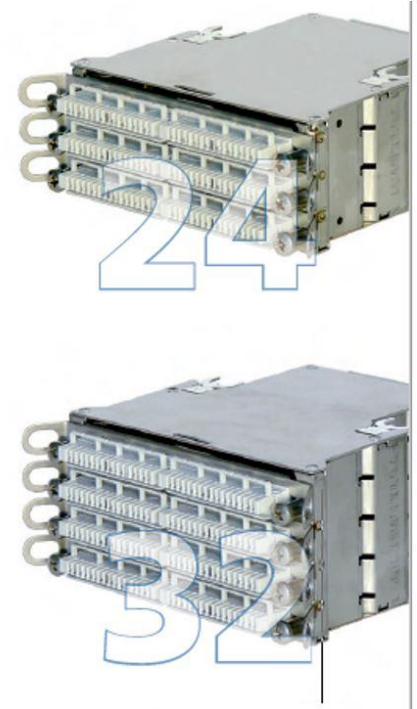
LSA-PLUS® contacts: Jumper conductor diameter: 0.4-0.6 mm

Outer diameter: 0.7-1.2 mm with PE or PVC insulation

Mechanical load: Sinusoidal vibration according to IEC 68-2-6

FLAMMABILITY CLASS

LSA-PLUS Edge Connector (Plastic) UL94V-0



commscope.com

Visit our website or contact your local CommScope representative for more information.

© 2019 CommScope, Inc. All rights reserved.

All trademarks identified by ® or ™ are registered trademarks or trademarks, respectively, of CommScope, Inc. This document is for planning purposes only and is not intended to modify or supplement any specifications or warranties relating to CommScope products or services. CommScope is committed to the highest standards of business integrity and environmental sustainability with a number of CommScope's facilities across the globe certified in accordance with international standards including ISO 9001, TL 9000, and ISO 14001. Further information regarding CommScope's commitment can be found at www.commscope.com/About-Us/Corporate-Responsibility-and-Sustainability.

PA-113659-EN (08/19)