

# CBC1923-4310 | E14F55P05

---



## Diplexer PCS/AWS+WCS, DC block, 4.3-10

- Full performance in a fraction of the size
- High power handling
- Includes AWS-3 and AWS-4 bands
- New 4.3-10 connectors for improved PIM performance and size reduction
- dc/AISG blocking on all ports (DC grounded)
- Ideal for small cell applications

## Product Classification

**Product Type** Diplexer

## General Specifications

**Color** Gray

**Common Port Label** COMMON

**Modularity** 1-Single

**RF Connector Interface** 4.3-10 Female

**RF Connector Interface Body Style** Long neck

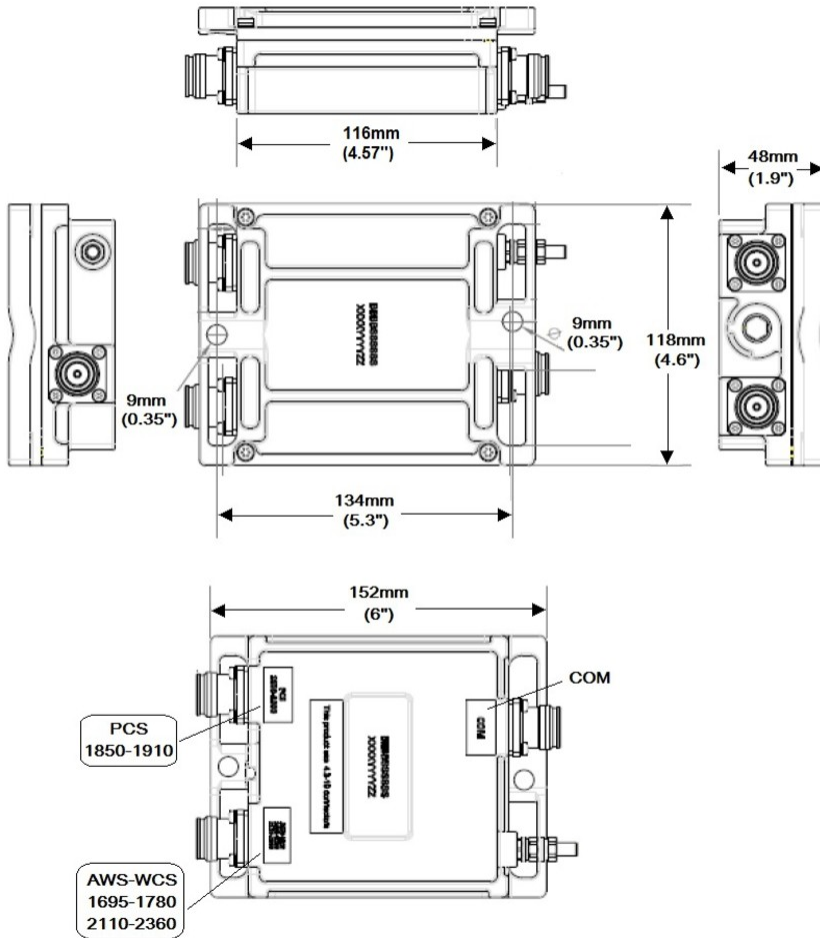
## Dimensions

**Height** 118 mm | 4.646 in

**Width** 116 mm | 4.567 in

**Depth** 48 mm | 1.89 in

## Outline Drawing



## Electrical Specifications

**License Band, Band Pass** AWS 1700 | PCS 1900 | TDD 1900 | TDD 2300 | WCS 2300

## Electrical Specifications, dc Power/Alarm

**Lightning Surge Current** 5 kA

**Lightning Surge Current Waveform** 8/20 waveform

## Electrical Specifications

<b>Sub-module</b>	1	1
<b>Branch</b>	1	2
<b>Port Designation</b>	Port 1695-1780/2110-2360	Port 1850-1990
<b>License Band</b>	AWS 1700, Band Pass WCS 2300, Band Pass	PCS 1900, Band Pass TDD 1900, Band Pass

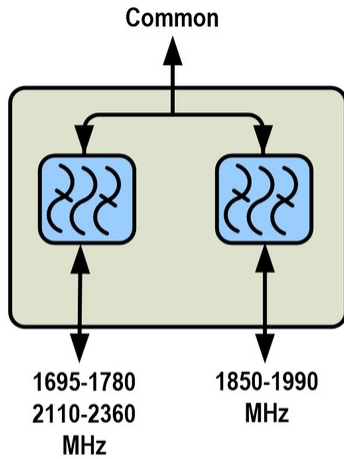
# CBC1923-4310 | E14F55P05

TDD 2300, Band Pass

## Electrical Specifications, Band Pass

Frequency Range, MHz	1695–1780 2110–2360	1850–1990
Insertion Loss, typical, dB	0.25	0.25
Total Group Delay, maximum, ns	12	15
Return Loss, typical, dB	23	23
Isolation, typical, dB	40	40
Input Power, RMS, maximum, W	100	100
Input Power, PEP, maximum, W	1500	1500
3rd Order PIM, typical, dBc	-161	-161
3rd Order PIM Test Method	1 x 20 W AWS CW tone 1 x 20 W PCS CW tone	2 x 20 W CW tones

## Block Diagram



DC/AISG blocking on all ports(DC Grounded)

## Material Specifications

**Finish** Painted

## Environmental Specifications

**Operating Temperature** -40 °C to +65 °C (-40 °F to +149 °F)

**Relative Humidity** Up to 100%

**Corrosion Test Method** IEC 60068-2-11, 30 days

# CBC1923-4310 | E14F55P05

---

## Ingress Protection Test Method

IEC 60529:2001, IP67

## Packaging and Weights

### Weight, net

1 kg | 2.205 lb

## Regulatory Compliance/Certifications

### Agency

### Classification

CHINA-ROHS

Below maximum concentration value

REACH-SVHC

Compliant as per SVHC revision on [www.commscope.com/ProductCompliance](http://www.commscope.com/ProductCompliance)

ROHS

Compliant

