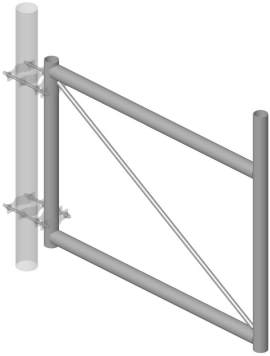


HS-600



Stand-Off Bracket, heavy duty, 72 in, includes pipe

Product Classification

Product Type Stand-off mount

General Specifications

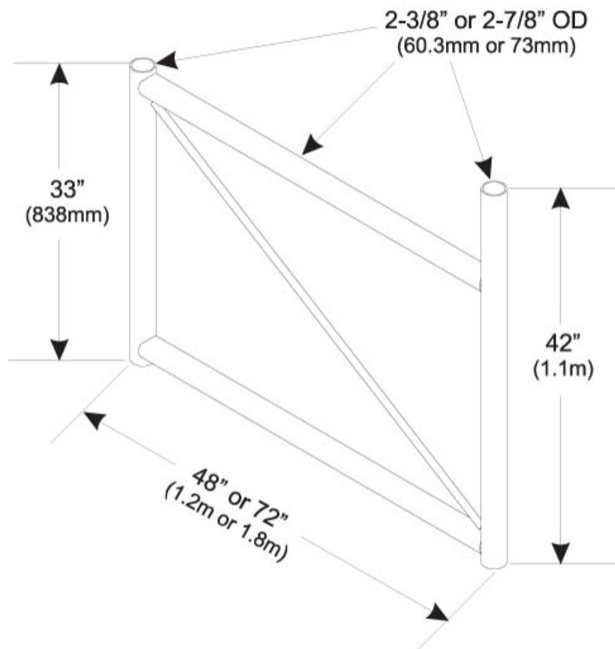
Mounting Tower member
Note One 72 in x 8 in panel antenna per sector
Pipe, quantity 1

Dimensions

Height 1,066.8 mm | 42 in
Width 76.2 mm | 3 in
Length 1,828.8 mm | 72 in
Pipe Length 1,066.8 mm | 42 in
Pipe Outer Diameter 73.66 mm | 2.9 in
Stand-off Distance 1,828.8 mm | 72 in

HS-600

Outline Drawing



Material Specifications

Material Type Hot dip galvanized steel

Mechanical Specifications

Wind Rating 120 mph (BWS) at 150 ft AGL

Wind Rating Test Method TIA/EIA-222

Packaging and Weights

Included Stand-off

Packaging quantity 1

HS-600

Weight, net 48.7 kg | 107.365 lb

Regulatory Compliance/Certifications

| Agency | Classification |
|---------------|--|
| ISO 9001:2015 | Designed, manufactured and/or distributed under this quality management system |

* Footnotes

Wind Rating BWS—Base Wind Speed; FBC—Florida Building Code