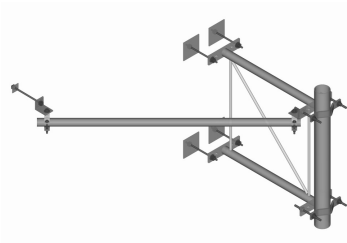


DM-300



Stand-Off Wall Mount for solid and hollow wall, 36 in

Product Classification

Product Type Wall mount kit

General Specifications

Mounting Walls

Dimensions

Height 838.2 mm | 33 in

Width 76.2 mm | 3 in

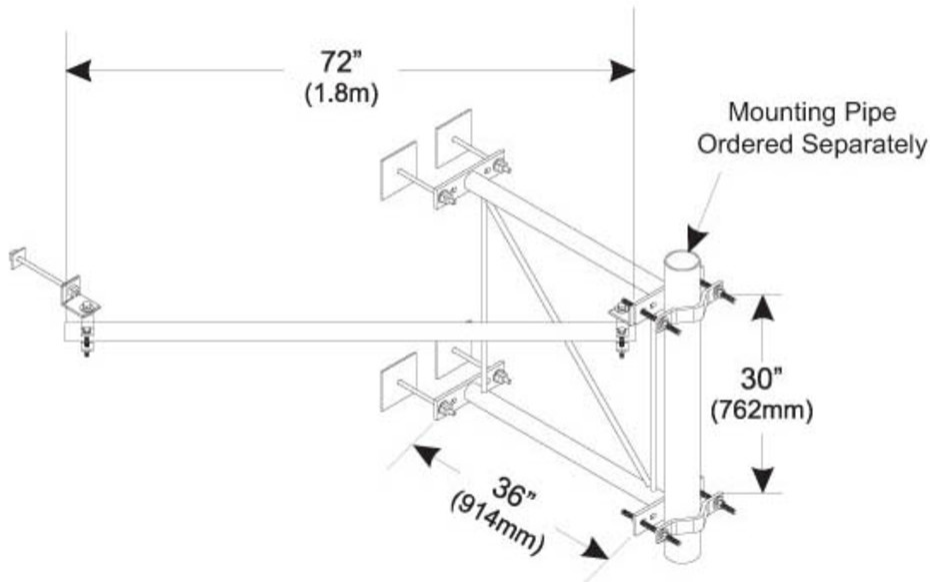
Length 914.4 mm | 36 in

Pipe Outer Diameter 114.3 mm | 4.5 in | 60.96 mm | 2.4 in | 73.66 mm | 2.9 in | 88.9 mm | 3.5 in

Stand-off Distance 914.4 mm | 36 in

DM-300

Outline Drawing



Material Specifications

Material Type Hot dip galvanized steel

Mechanical Specifications

Wind Rating For Specifications, please contact steelproducts@commscope.com or call 800-255-1479

Packaging and Weights

Included Brackets | Stiff arm | Wall mount hardware

Packaging quantity 1

Weight, net 68.4 kg | 150.796 lb

Regulatory Compliance/Certifications

Agency

ISO 9001:2015

Classification

Designed, manufactured and/or distributed under this quality management system

* Footnotes

Wind Rating

BWS—Base Wind Speed; FBC—Florida Building Code

