

FDF-FL2-SPLTR-MODULES

Base Product

FDF/FL2 VAM Fiber Optic Splitter Module



CommScope's Value-Added Module (VAM) system adds flexibility and functionality to the optical transport system by enabling service providers to easily incorporate optical components into the network. This versatile platform lays the foundation for the optical network of the future.

CommScope's VAM Modules feature:

- Enclosed Plug-in modules protect the optical components from physical and environmental damage
- Angled retainers maintain minimum bend radius of fiber patch cords
- Pluggable modules can be added or removed from the chassis without interfering with existing terminated patch cords
- Flexible platform: modules can be created for new applications quickly and easily to meet customer requirements
- Custom configurations are available upon request

The FDF VAM Splitter system consists of a variety of optical component modules that fit into the FDF ODF VAM chassis.

Splitter applications include:

- Signal Splitting, distributing signals to multiple subscribers
- Monitor Testing, troubleshooting networks or monitor traffic without forcing disruption of service

Product Classification

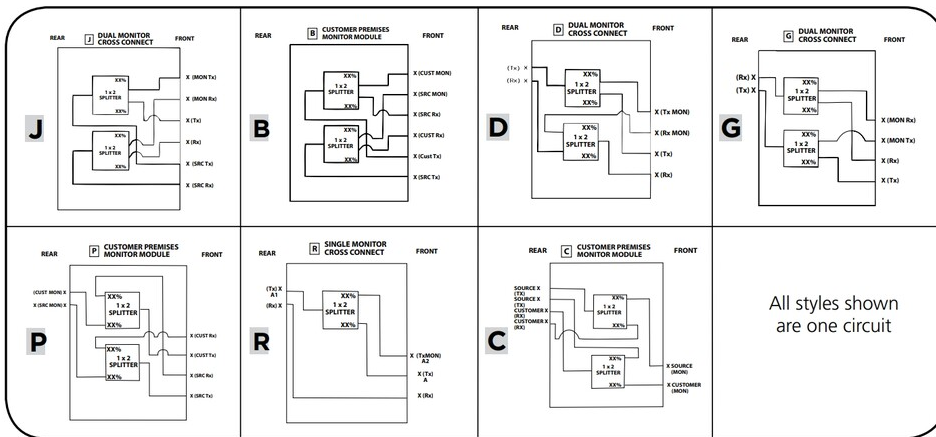
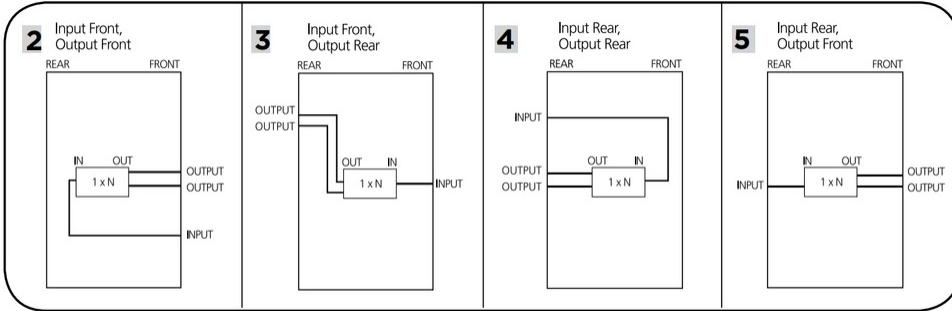
Regional Availability	Asia Australia/New Zealand EMEA Latin America North America
Portfolio	CommScope®
Product Type	Splitter module
Product Series	FDF FL2000

General Specifications

Device Type	Standard VAM
Functionality	Splitting
Access	Front
Application	For use with FDF frames For use with FL2 panels

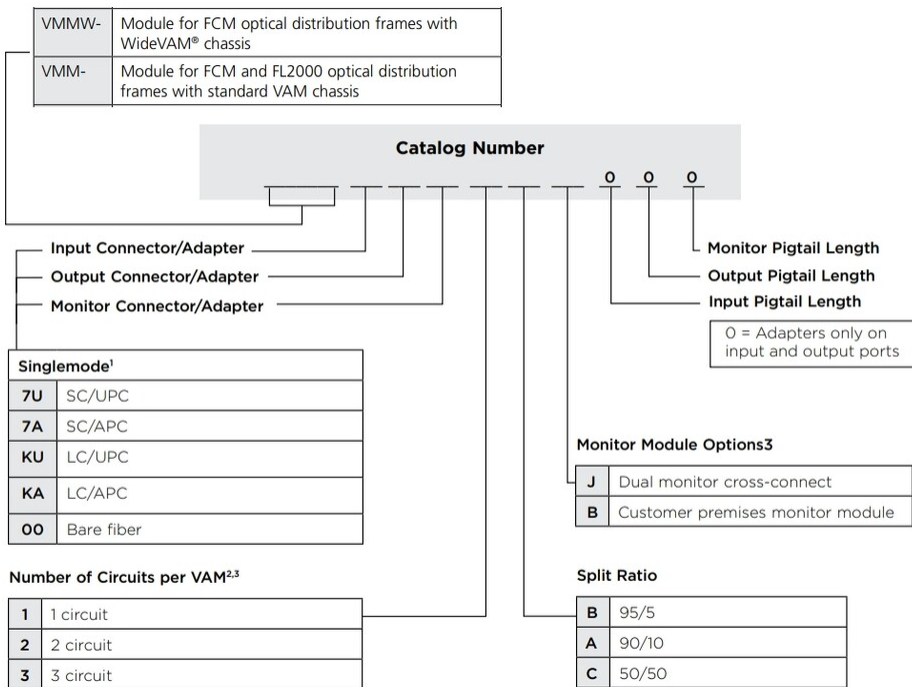
FDF-FL2-SPLTR-MODULES

Port Configuration

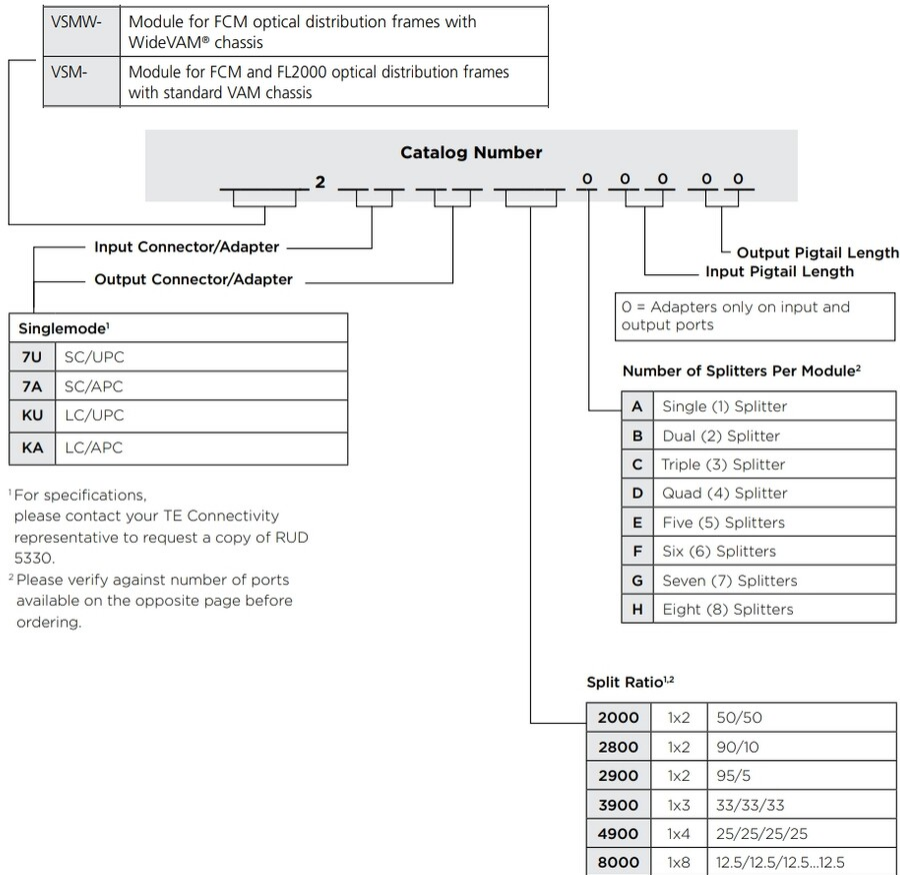


Ordering Tree

FDF-FL2-SPLTR-MODULES



FDF-FL2-SPLTR-MODULES



¹For specifications, please contact your TE Connectivity representative to request a copy of RUD 5330.

²Please verify against number of ports available on the opposite page before ordering.

Environmental Specifications

Environmental Space Indoor

Packaging and Weights

Packaging quantity 1