

NDX-B2BHM0U-A0050F



Fiber Indexing Terminal, 2F Branching, Dielectric Loose Tube Cable, 50 ft /15 m

- Fiber Indexing terminals are access terminals using hardened connectivity technology that withstand the rugged outside plant environment
- Fiber Indexing terminals eliminate splicing and use 12-strand fiber cable in a daisy-chain topology, reducing the total required cable length by up to 70%
- Hardened adapters are factory-terminated and environmentally sealed to ensure rapid plug-and-play drop cable installations

Product Classification

| | |
|------------------------------|---|
| Regional Availability | North America |
| Product Type | Access terminal, indexed without splitter/tap |
| Product Series | NDX |

General Specifications

| | |
|-------------------------------|--|
| Cable Type | Dielectric - Flat - Loose Tube |
| Cable, quantity | 1 |
| Distribution Type | 2-port branch |
| Drop Port Type | Hardened multi-fiber (HMFOC) jack, male/pinned |
| Drop Port, quantity | 1 |
| Enclosure Color | Black |
| Forward Port Type | Hardened multi-fiber (HMFOC) jack, male/pinned |
| Forward Port, quantity | 1 |
| Mounting | Handhole Pedestal Pole |
| Port Type | Hardened multi-fiber (HMFOC) jack, male/pinned |
| Port, quantity | 2 |
| Splitter, quantity | 0 |
| Stub Type | Hardened multi-fiber (HMFOC) plug, female/no pin |

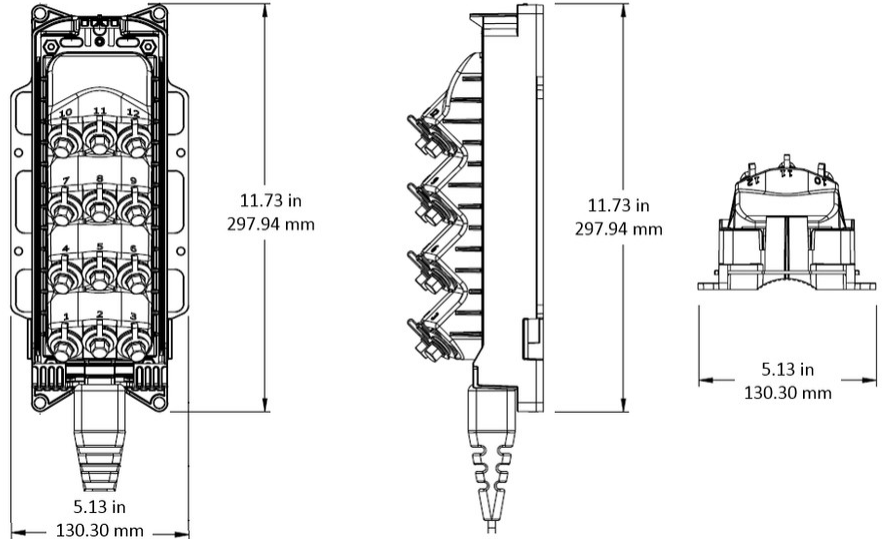
Dimensions

| | |
|---------------|----------------------|
| Height | 297.8 mm 11.724 in |
| Width | 130.3 mm 5.13 in |
| Depth | 90.4 mm 3.559 in |

NDX-B2BHM0U-A0050F

| | |
|-----------------------------|-------------------------------|
| Cable Length, stub | 50 ft (15 m) |
| Cable Outer Diameter | 4.5 x 8.1 mm (0.18 x 0.32 in) |

Dimension Drawing



Ordering Tree

NDX-B2BHMOU-A0050F



Material Specifications

Enclosure Material Type Gasketed hardened plastic

Optical Specifications

Fiber Type G.652.D

Operating Wavelength Range 1260 – 1635 nm

Attenuation Cable Coefficient, maximum 0.30 dB/km @ 1550 nm | 0.40 dB/km @ 1310 nm

Attenuation Terminal Connectors, maximum 0.45 dB

Insertion Loss, Stub Connector, maximum 0.45 dB

Insertion Loss, Stub Connector, typical 0 dB

Return Loss, Connector, typical 65 dB

Environmental Specifications

Operating Temperature -40 °C to +70 °C (-40 °F to +158 °F)

Relative Humidity 5%–100%, condensing

Environmental Space Above ground | Below ground | Buried

NDX-B2BHM0U-A0050F

| | |
|--------------------------------|---|
| Flammability Rating | UL 94 V-0 |
| Qualification Standards | IEC 60529, IP68 + 2 m waterhead NEMA, Type 6 + 10 ft waterhead Telcordia GR-3120-CORE Telcordia GR-326-CORE Telcordia GR-771-CORE |
| UV Resistance | UV stabilized |
| Packaging and Weights | |
| Included | Enclosure (1) Universal mounting bracket (1) |
| Packaging quantity | 1 |
| Packaging Type | Box Carton |
| Weight, without cable | 1 kg 2.205 lb |

Regulatory Compliance/Certifications

| Agency | Classification |
|---------------|--|
| CHINA-ROHS | Above maximum concentration value |
| ISO 9001:2015 | Designed, manufactured and/or distributed under this quality management system |
| REACH-SVHC | Compliant as per SVHC revision on www.commscope.com/ProductCompliance |
| ROHS | Compliant/Exempted |
| UK-ROHS | Compliant/Exempted |



Included Products

- MST-UMB-MINI – DLX® Mini-MST, Fiber Optic Universal Mounting Bracket