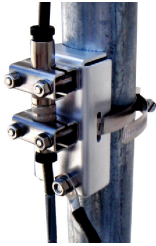


ATGK-CABLE



RET Control Cable Grounding Kit

- Used for grounding control cables at recommended 60-meter intervals
- Grounds RET cable at connectors, eliminating need to cut into cable jacket
- Includes ground cable for connecting to the main ground buss
- Easily mounts to a pole

Product Classification

Product Type RET grounding kit

Dimensions

Height 101.6 mm | 4 in

Width 61 mm | 2.402 in

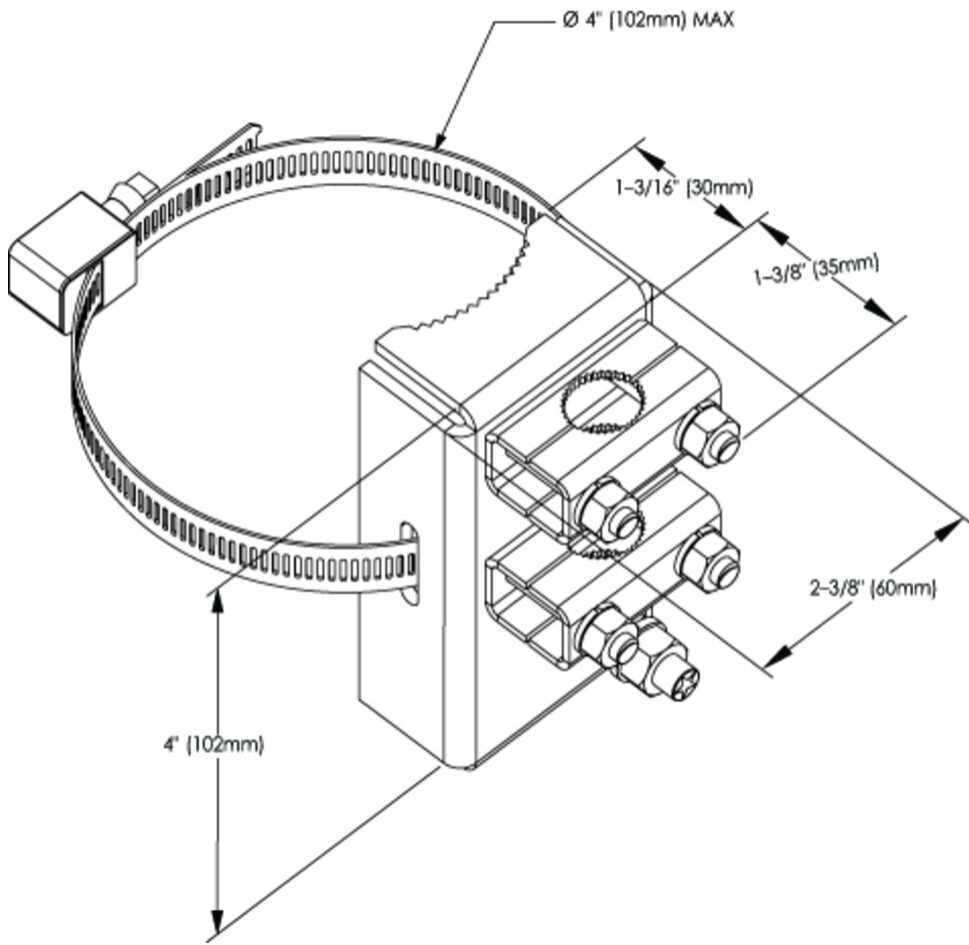
Depth 61 mm | 2.402 in

Grounding Cable Length 609.6 mm | 24 in

Grounding Cable Nominal Diameter 16 mm | 0.63 in

Dimension Drawing

ATGK-CABLE



Electrical Specifications

| | |
|---|-----------------|
| Lightning Surge Current | 16 kA |
| Lightning Surge Current Waveform | 10/350 waveform |

Packaging and Weights

| | |
|--------------------|--|
| Included | Grounding bracket assembly with band clamp Grounding cable with lugs |
| Weight, net | 0.3 kg 0.661 lb |

Regulatory Compliance/Certifications

| Agency | Classification |
|---------------|--|
| CHINA-ROHS | Below maximum concentration value |
| ISO 9001:2015 | Designed, manufactured and/or distributed under this quality management system |
| REACH-SVHC | Compliant as per SVHC revision on www.commscope.com/ProductCompliance |

ATGK-CABLE

ROHS Compliant

UK-ROHS Compliant

