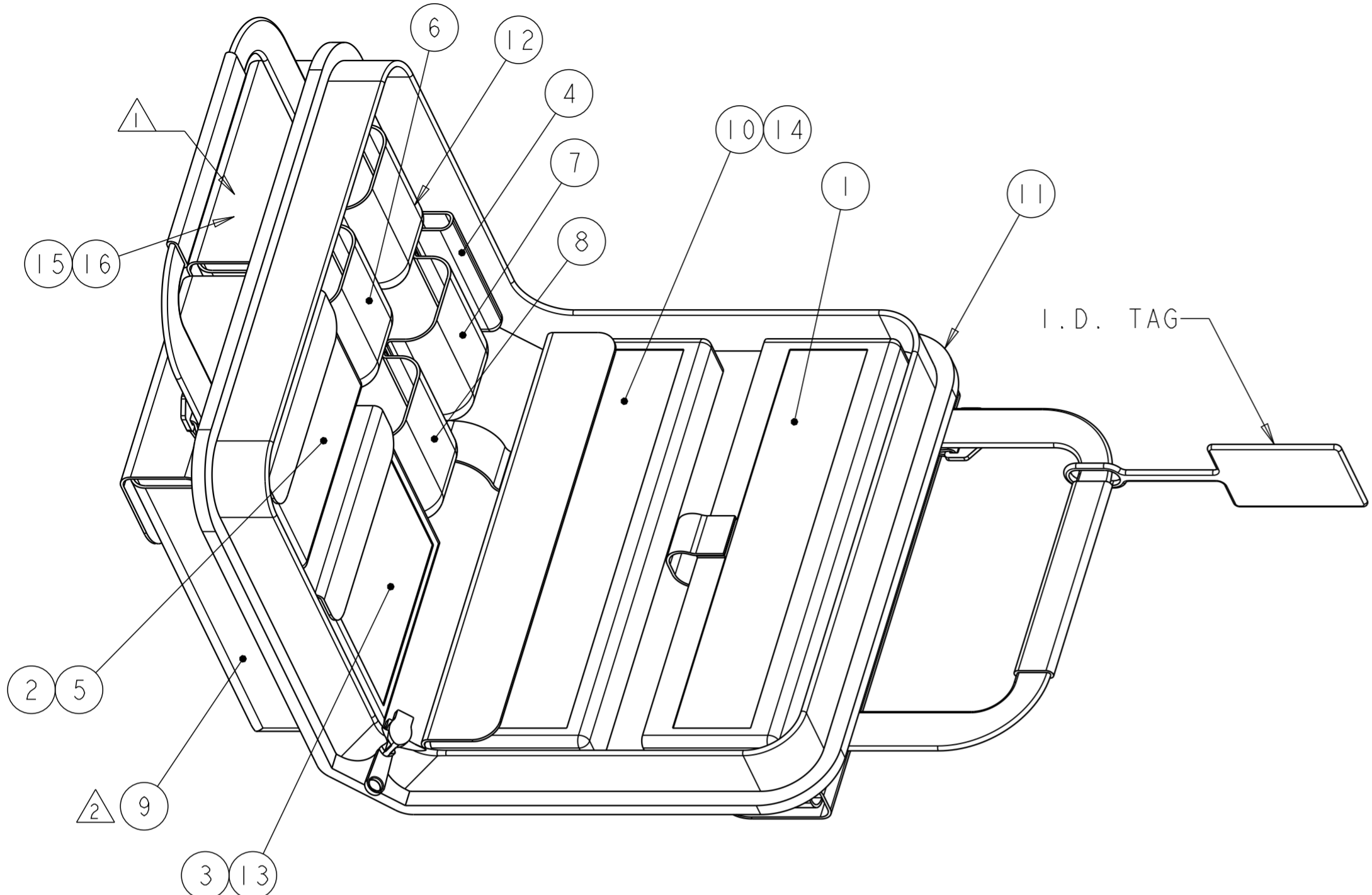


THIS DRAWING IS UNPUBLISHED. RELEASED FOR PUBLICATION
 © 2016 COMMSCOPE, INC. CONFIDENTIAL NOTICE: THESE DRAWINGS AND SPECIFICATIONS ARE THE PROPRIETARY PROPERTY OF COMMSCOPE, INC. AND MAY BE USED ONLY FOR THE SPECIFIC PURPOSE AUTHORIZED IN WRITING BY COMMSCOPE, INC.

REVISIONS				
P	LTR	DESCRIPTION	DATE	APVD
	N	8000022968	25MAY2017	NRO JFM



- 1 MANUFACTURER'S INSTRUCTION SHEETS.
- 2 OPTIONAL SHOULDER STRAP.
- 3. INSTRUCTION SHEETS 408-4020, 408-8925, 408-4471 AND 408-10103 EXPLAIN THE LightCrimp Plus TERMINATION TECHNIQUE AND ARE AVAILABLE FOR DOWNLOAD AT WWW.COMMSCOPE.COM

1	1	2064710-1	FIBER OPTICS CLEANING & INSPECTION GUIDE	16
1	1	1374503-1	CD ROM, TERMINATION TRAINING	15
1	-	1754765-1	MICROSCOPE ADAPTER, 1.25mm	14
1	1	1278625-1	CABLE CLAMP	13
1	1	1553661-1	SLITTER TOOL, 2mm & 3mm	12
1	1	1278540-1	PREMIUM SOFT CASE	11
1	-	1754767-1	200x MICROSCOPE KIT	10
1	1	1871696-1	FIBER CLEAVER, SLIDE CUTTER	9
1	1	1278637-1	ARAMID YARN SHEARS	8
1	1	1754708-1	FIBER STRIP TOOL, COMBINATION	7
1	1	492109-2	MICRO STRIP TOOL MT-RJ (.008IN)	6
14	14	501857-2	ALCOHOL WIPES	5
2	2	1278422-1	OPEN END WRENCH, 1/4IN	4
1	1	2064540-1	CABLE HOLDER, LightCrimp Plus/LC/SC	3
1	1	1985766-1	DIESET, LightCrimp Plus/LC/SC/SPLICE	2
1	1	1976850-2	HANDTOOL FRAME, BLACK	1
-2	-1	MID	DESCRIPTION	ITEM NO.

THIS DRAWING IS A CONTROLLED DOCUMENT.		DWN B. BRIGGS 17MAY2006	COMMSCOPE, INC.	
		CHK - 17MAY2006		
DIMENSIONS: mm		APVD - 17MAY2006	NAME TERMINATION KIT, LightCrimp Plus, SC/LC	
TOLERANCES UNLESS OTHERWISE SPECIFIED: 0 PLC ± 1 PLC ± 2 PLC ± 3 PLC ± 4 PLC ± ANGLES ± FINISH		PRODUCT SPEC - APPLICATION SPEC -	SIZE A2	CAGE CODE -
MATERIAL -		WEIGHT -	DRAWING NO. C-1754845	RESTRICTED TO -
		CUSTOMER DRAWING	SCALE NTS	SHEET OF REV N