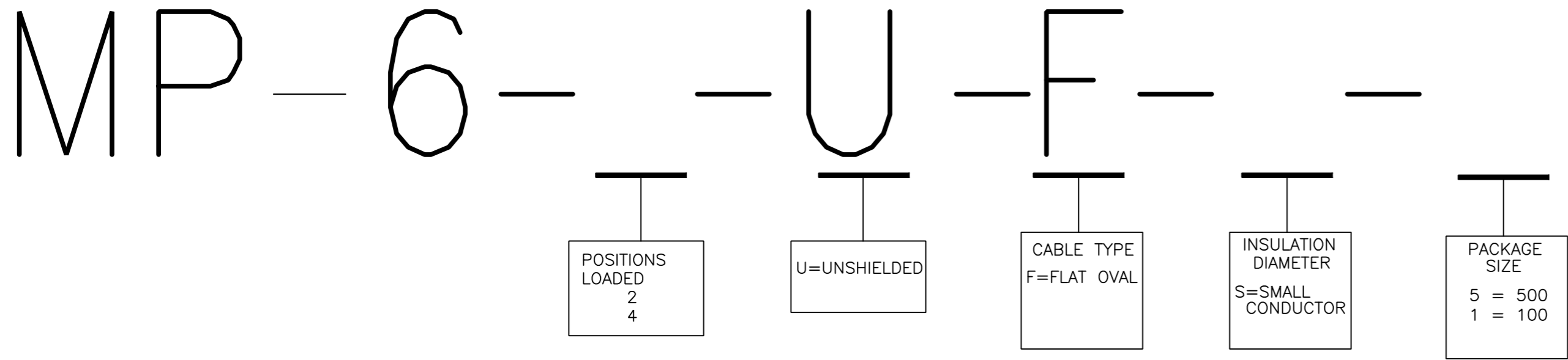
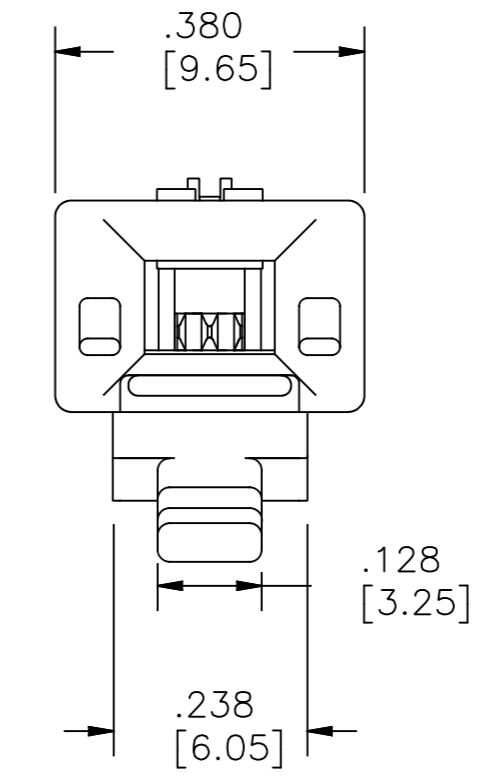
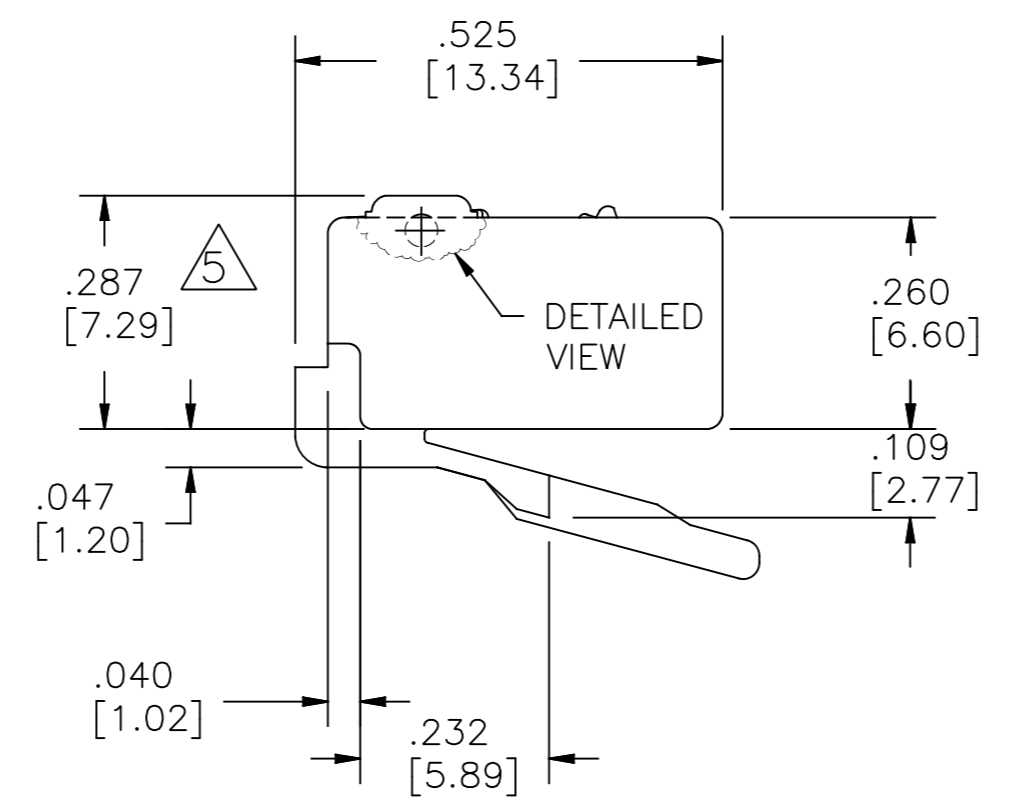
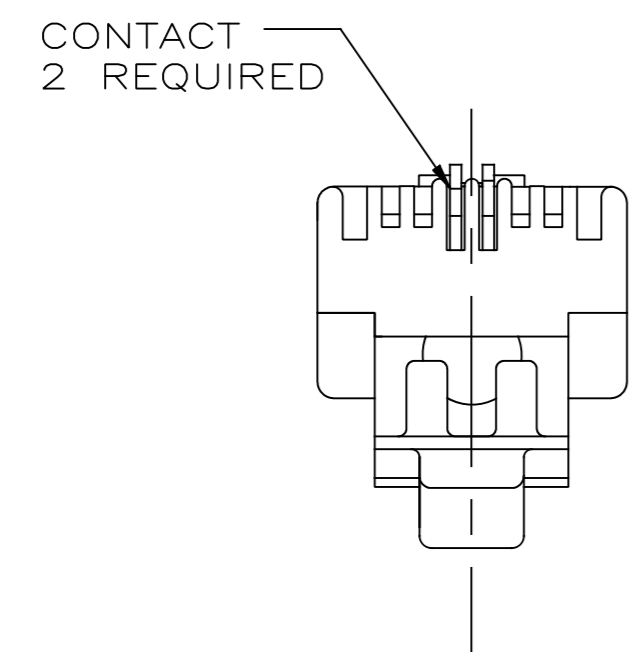
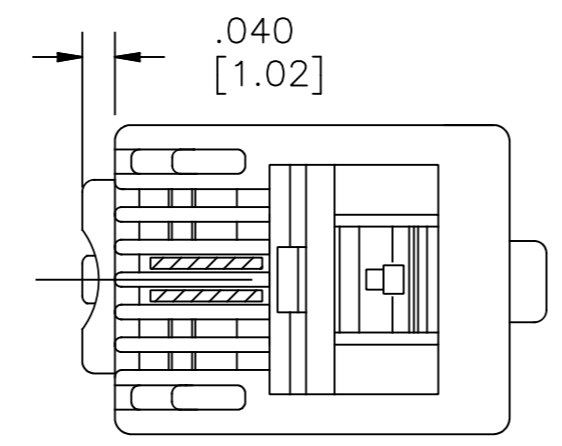


REVISIONS				
P	LTR	DESCRIPTION	DATE	OWN
B		REV; MCO-40026563MCO	16NOV2015	HG JG
C		REV PER BNS_CD_BRAND	21JAN2017	GG DC



1. DIMENSIONS ARE NOMINAL UNLESS OTHERWISE SPECIFIED.
2. MATERIAL: HOUSING- POLYCARBONATE, CLEAR TERMINAL- .305 [.012] THICK PHOSPHOR BRONZE PLATED WITH 1.27µM [.00005] MINIMUM THICK GOLD IN LOCALIZED PLATE AREA OVER 2.54µM [.000100] MINIMUM THICK NICKEL UNDERPLATE.
3. NON-SMALL CONDUCTOR PLUGS WILL ACCEPT 24 TO 26 AWG SOLID OR STRANDED CONDUCTORS WITH A SINGLE INSULATION DIAMETER OF 0.86-0.99[.034-.039]. SMALL CONDUCTOR PLUGS WILL ACCEPT 26 TO 28 AWG SOLID OR STRANDED WIRE WITH A SINGLE INSULATION DIAMETER OF 0.74-0.86[.029-.034].
4. MAXIMUM CABLE JACKET DIAMETERS FOR THE VARIOUS MP-6 MODULAR PLUGS ARE:
 FLAT OVAL -STANDARD BODY: 2.29 X 6.61 [0.090 X0.260]
5. TERMINATED DIMENSION 5.89 [.232] - 6.15 [.242] .
6. UL RECOGNIZED FILE NUMBER E81956.



UNSHIELDED MOD PLUG
 2 CONTACT PLUG

100	6-641333-3	MP-62U-F-1
500	6-641333-2	MP-62U-F-5
PACKAGE	MATERIAL	CATALOG NUMBER
CATALOG NUMBER VERSIONS		

THIS DRAWING IS A CONTROLLED DOCUMENT.

DIMENSIONS:	TOLERANCES UNLESS OTHERWISE SPECIFIED:	DWG: H GAUL 09JUN2015	CHK: J GENIAC 09JUN2015	APVD: J GENIAC 09JUN2015	NAME: KIT, MOD PLUG, 6 CONTACT POSITION, UNSHIELD, OVAL
INCHES [mm]					
0 PLC ± -	1 PLC ± -	2 PLC ± -	3 PLC ± .005	4 PLC ± *	PRODUCT SPEC: 108-1163
ANGLES ± *	FINISH				APPLICATION SPEC: 114-6016
MATERIAL		SIZE: A1	CAGE CODE: -	DRAWING NO: ©=2843025	RESTRICTED TO: -
		CUSTOMER DRAWING	SCALE: 6:1	SHEET: 1 OF 2	REV: C

COMMSCOPE, INC.

REVISIONS				
P	LTR	DESCRIPTION	DATE	APPV
-	-	SEE SHEET 1	-	-

MP-6

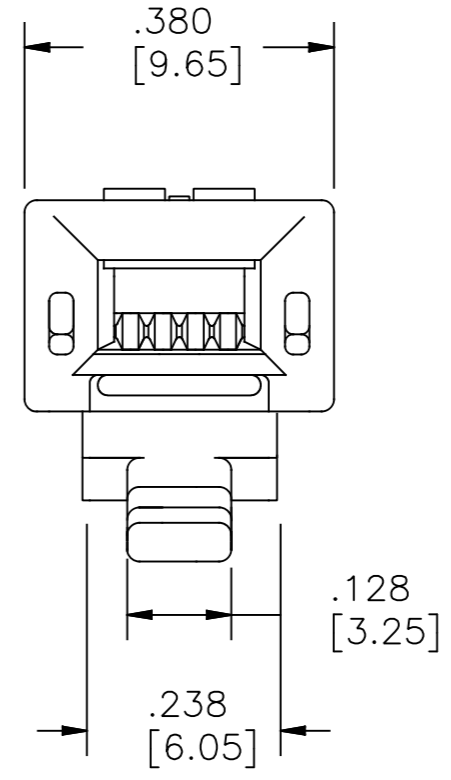
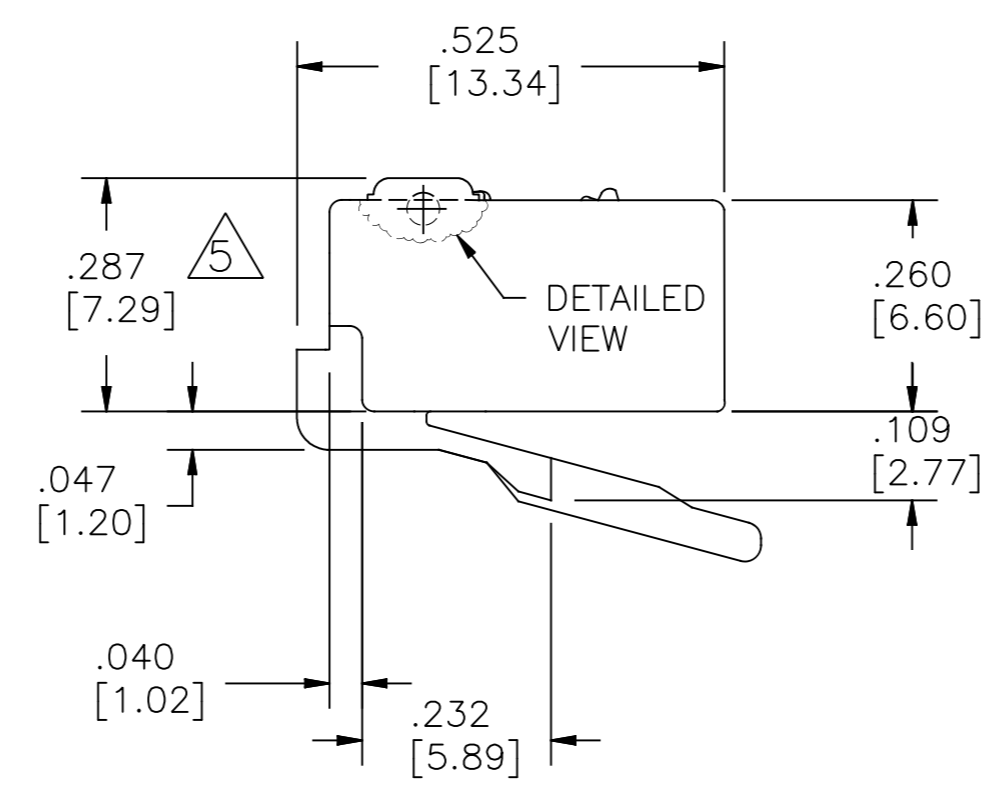
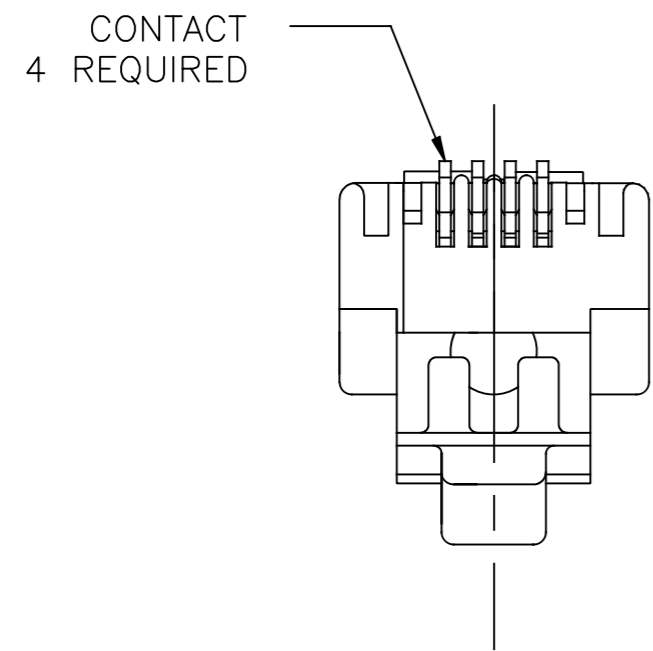
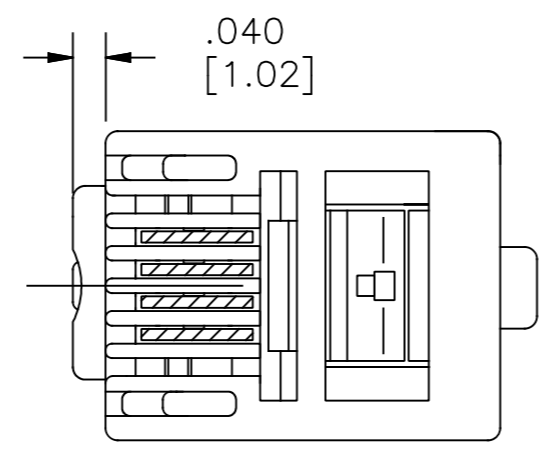
POSITIONS LOADED
2
4

U=UNSHIELDED

CABLE TYPE
F=FLAT OVAL

INSULATION DIAMETER
S=SMALL CONDUCTOR

PACKAGE SIZE
5 = 500
1 = 100



UNSHIELDED MOD PLUG
4 CONTACT PLUG

PACKAGE	MATERIAL	CATALOG NUMBER
100	6-557965-3	MP-64U-FS-1
500	6-557965-2	MP-64U-FS-5
100	6-641335-3	MP-64U-F-5
500	6-641335-2	MP-64U-F-5

CATALOG NUMBER VERSIONS

THIS DRAWING IS A CONTROLLED DOCUMENT.

DRAWN: H. GAUL	09JUN2015	COMMSCOPE, INC. KIT, MOD PLUG, 6 CONTACT POSITION, UNSHIELD, OVAL
CHK: J. GENIAC	09JUN2015	
APPV: J. GENIAC	09JUN2015	
NAME: J. GENIAC	09JUN2015	
DIMENSIONS: INCHES [mm]	TOLERANCES UNLESS OTHERWISE SPECIFIED:	PRODUCT SPEC: 108-1163
0 PLC ± .005	1 PLC ± .005	APPLICATION SPEC: 114-6016
1 PLC ± .005	2 PLC ± .005	SIZE: A1
2 PLC ± .005	3 PLC ± .005	CAGE CODE: -
3 PLC ± .005	4 PLC ± .005	DRAWING NO: ©=2843025
4 PLC ± .005	ANGLES ± .005	RESTRICTED TO: -
FINISH: -	FINISH: -	SCALE: 6:1
MATERIAL: -	FINISH: -	SHEET: 2 OF 2
CUSTOMER DRAWING	REV: C	