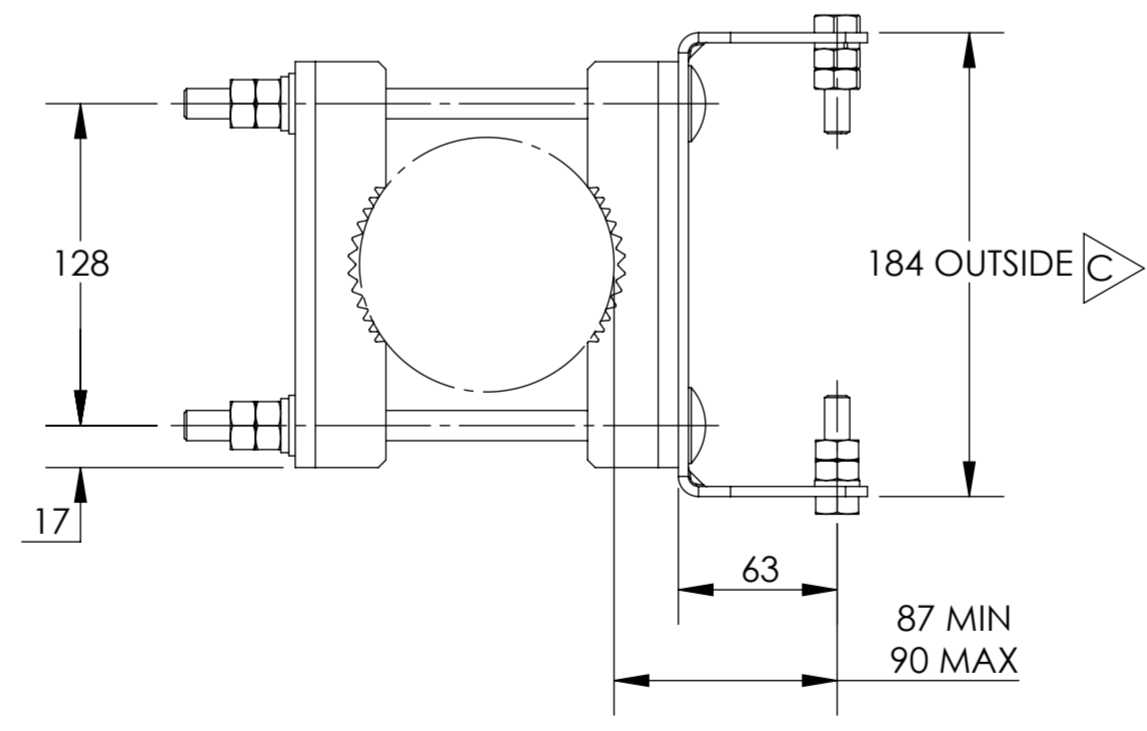
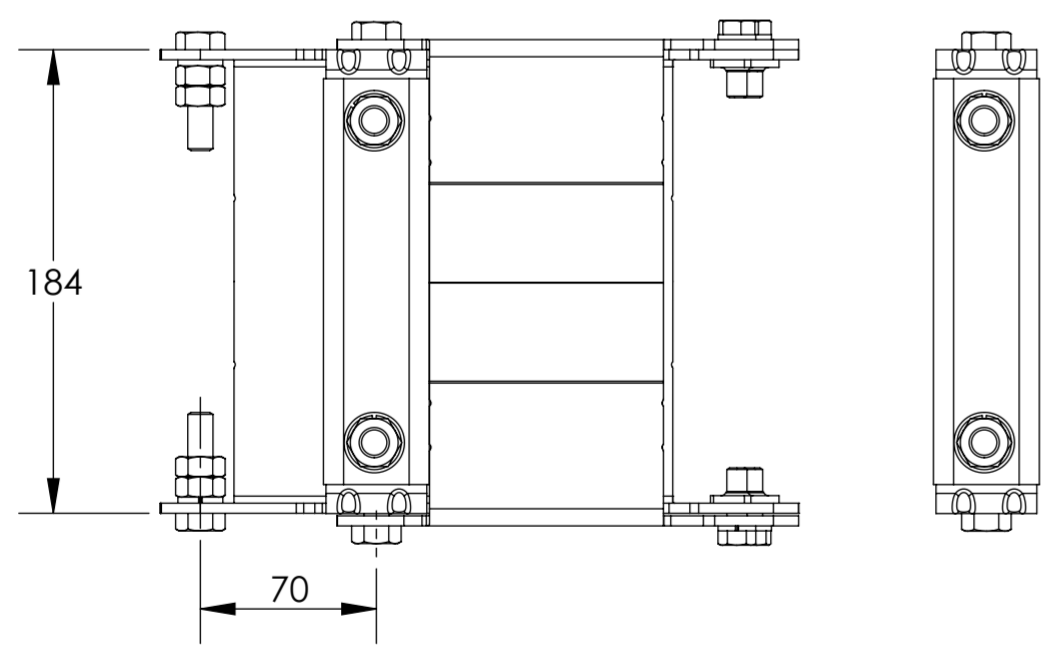
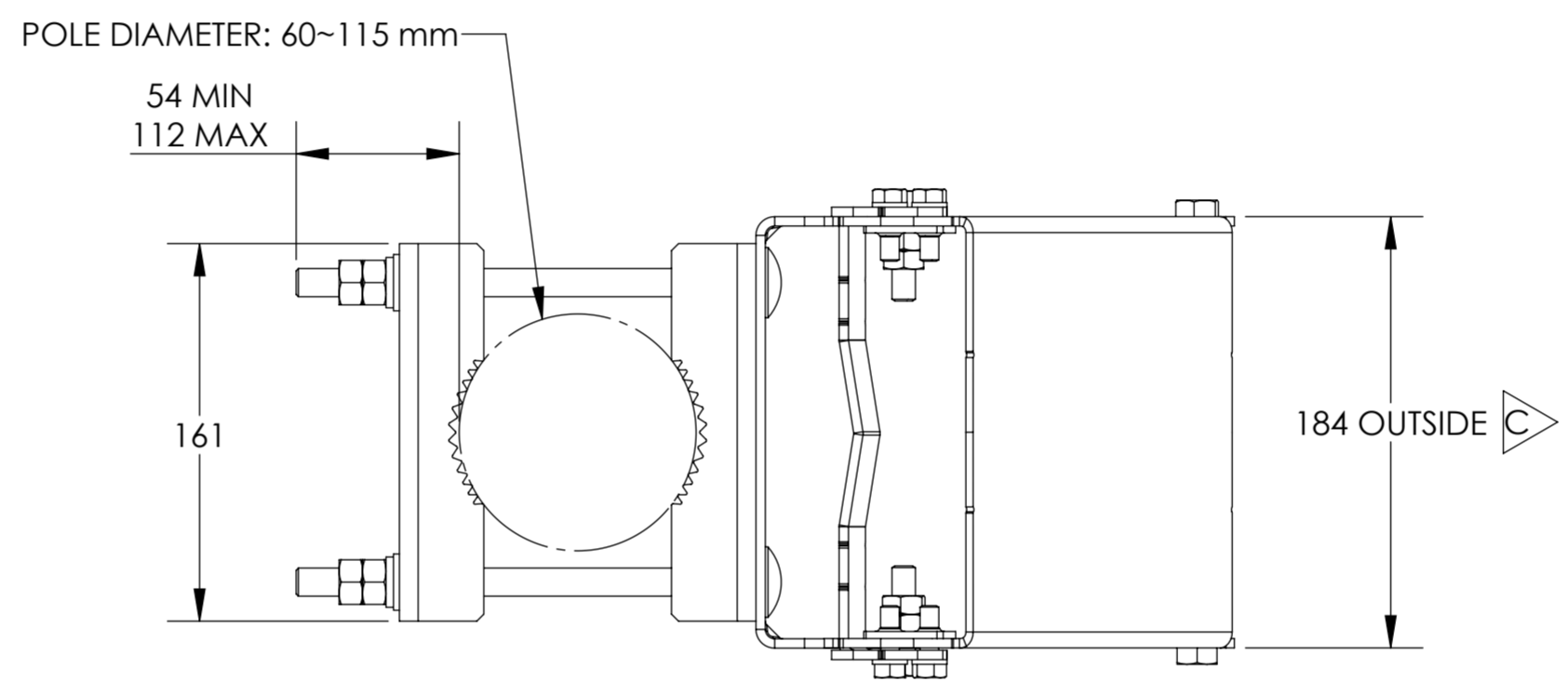
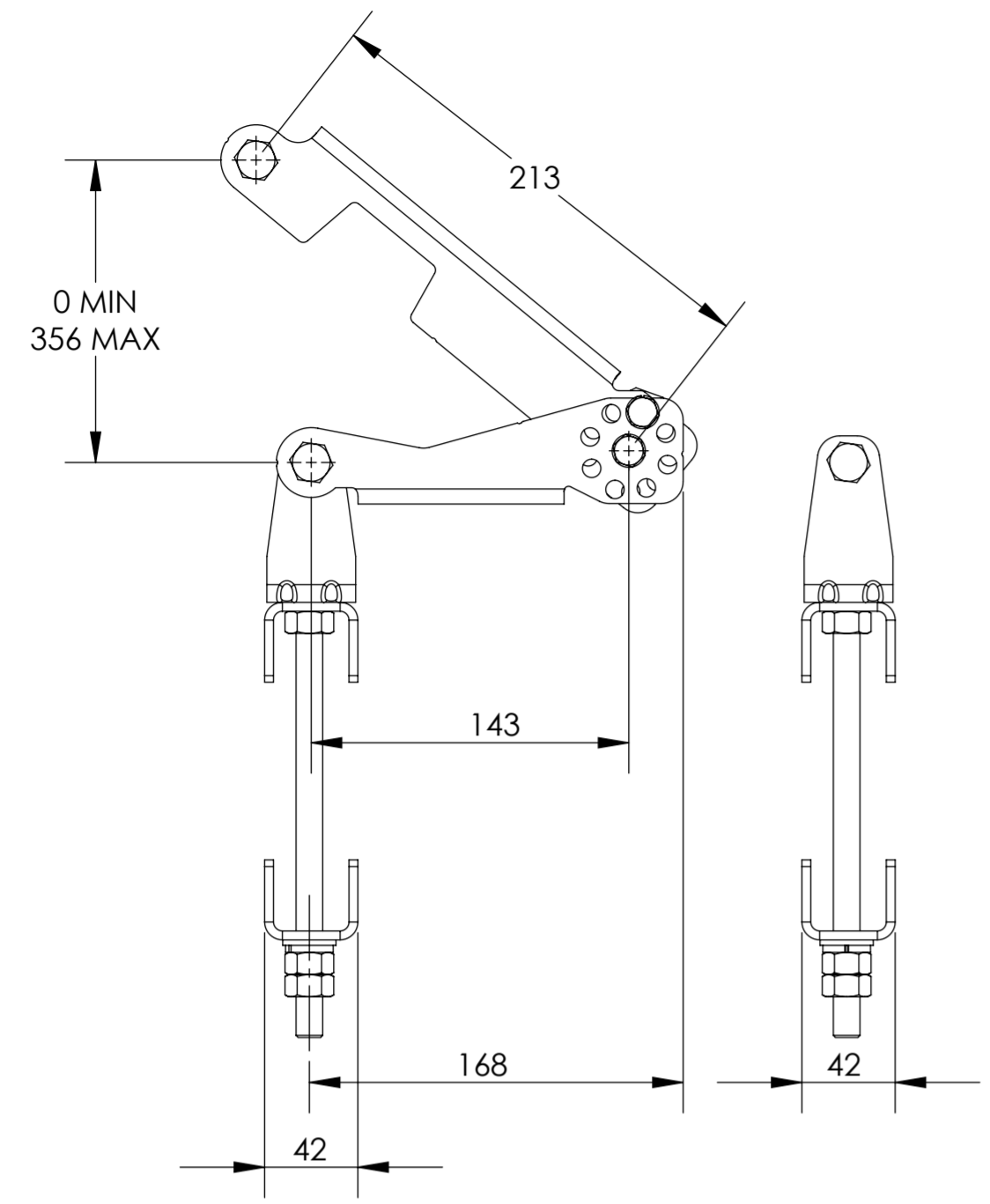


REVISIONS			
REV.	DESCRIPTION	DATE	APPROVED
A	ECR 800006609 REL TO PRODUCTION	20JAN15 JH	GD / EB
B	ECR 8000010306: ADD DIMENSIONS.	15OCT15 QF	S.LIU/JIHE
C	ECR 8000037116: ADD DIMS.	29AUG19 DXJ	KDI/ZH.JIAN



BSAMNT-OFFSET

COMMSCOPE, INC. OF NORTH CAROLINA				
DENSITY:	MASS: 3.57 kg	VOLUME:	SURFACE AREA:	
		<u>TOLERANCES</u>		
		0 PLACE X ±	SAP MATERIAL MASTER	
		1 PLACE .X ±		
		2 PLACE .XX ±		
		ANGLES ±		
FINISH		MATERIAL		
<small>UNLESS OTHERWISE SPECIFIED DIMENSIONS ARE IN MILLIMETERS INTERPRET PER ISO STANDARDS HANDBOOK TECHNICAL DRAWINGS VOLUMES 1 & 2, THIRD EDITION (2002)</small>	NAME	DATE	TITLE	
	CE		ANTENNA MOUNT	
	RW	XD1008		08/29/2019
	RV	KDI		09/01/2019
	AD	JZ1067		09/01/2019
	RE	BYUAN		09/02/2019
ECN	8000037116-O			
SIZE	SCALE	DOCUMENT NO.		
A2	1:5	BSAMNT-OFFSET-L		

© 2014 CommScope, Inc. Proprietary. CommScope Confidential
 NOTICE: These drawings and specifications are the proprietary property of COMMSCOPE, INC. and may be used only for the specific purpose authorized in writing by COMMSCOPE, INC.

HEIGHT	ALL SURFACES	WORK AREA	23	MODEL			DRAWING			SHEET
LENGTH	✓	☉	☐	VERSION	STATUS	REVISION	VERSION	STATUS	REVISION	1 OF 1
WIDTH				02	RE	C	02	RE	C	