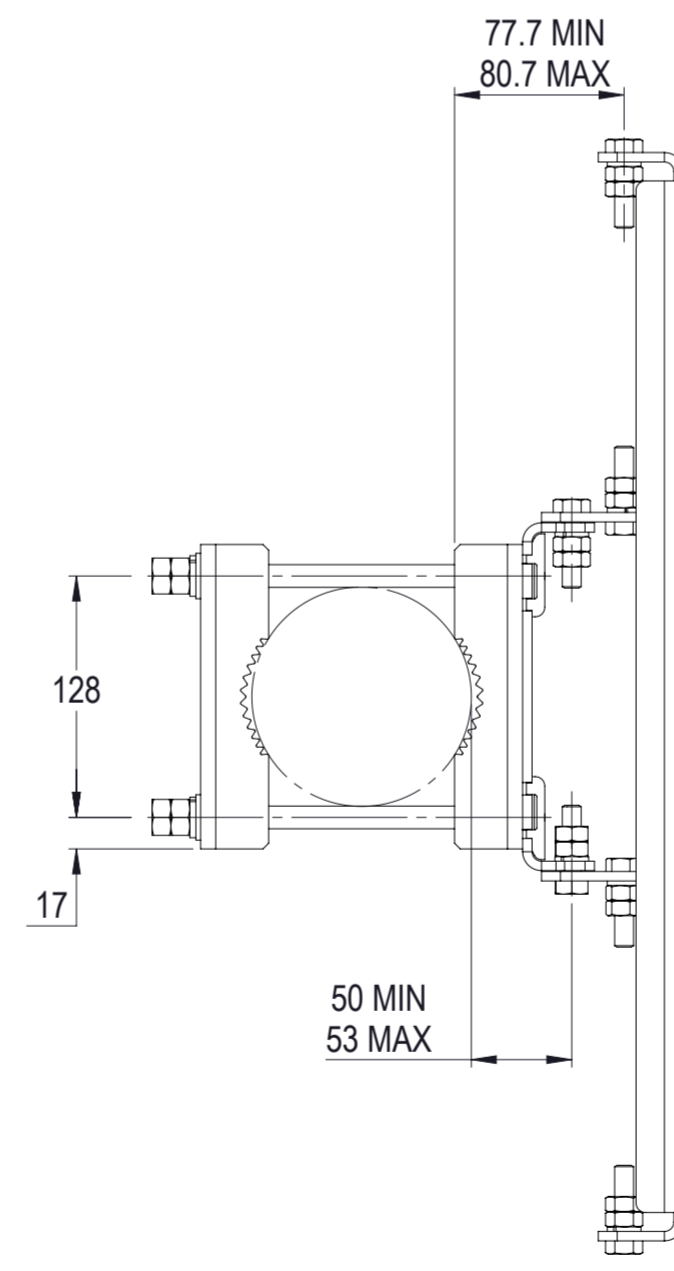
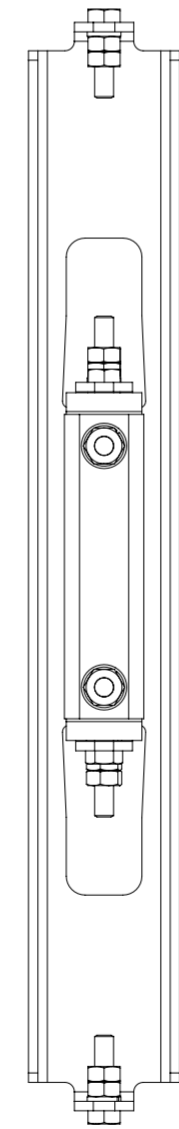
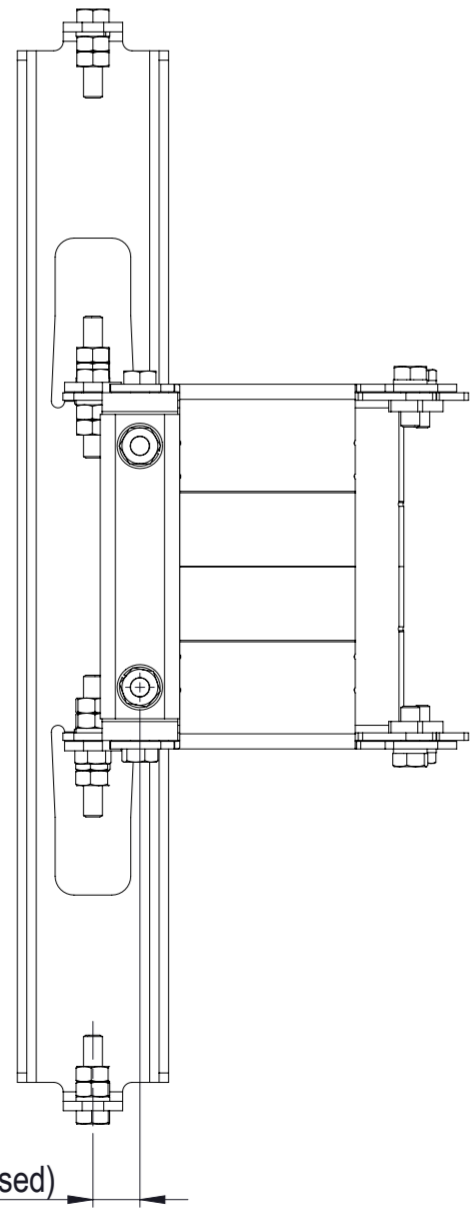
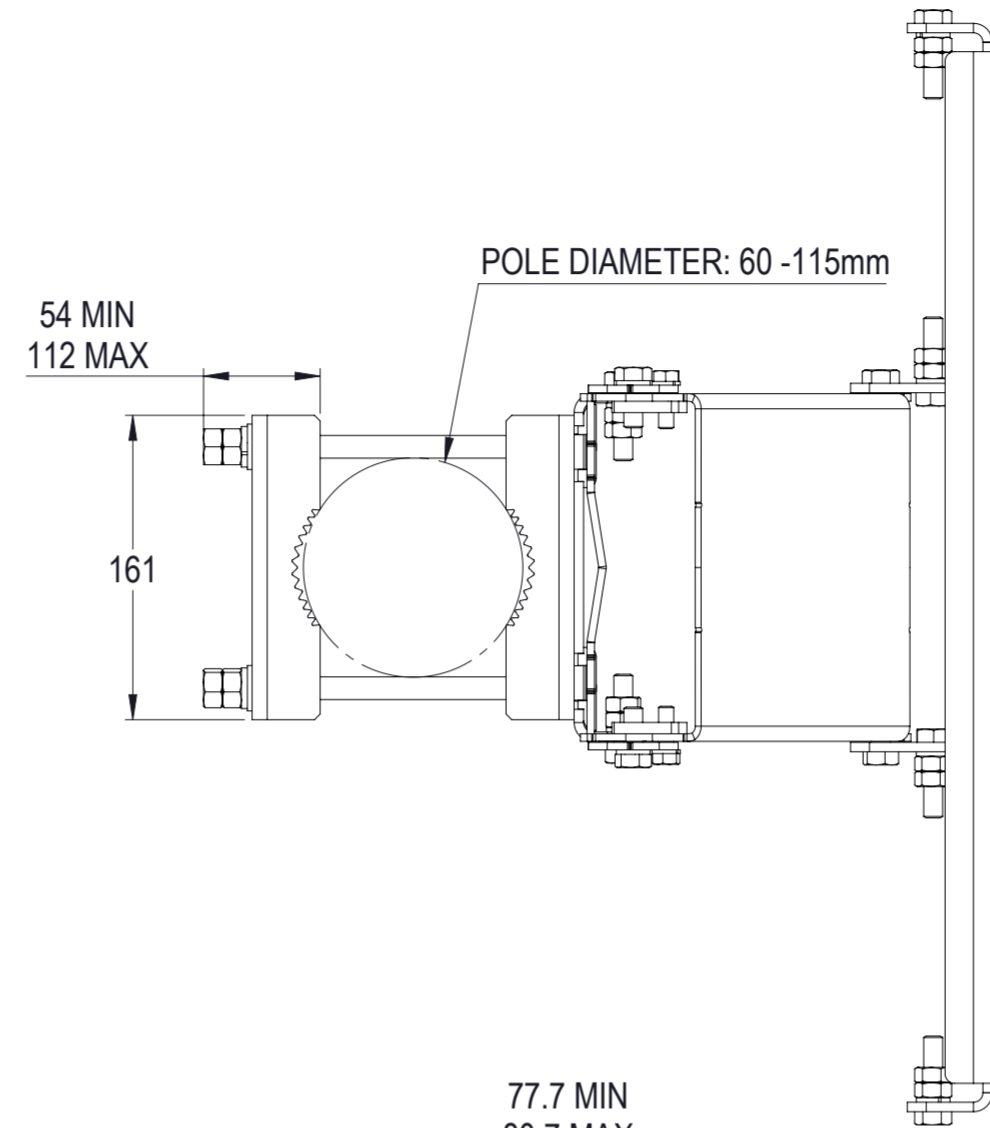
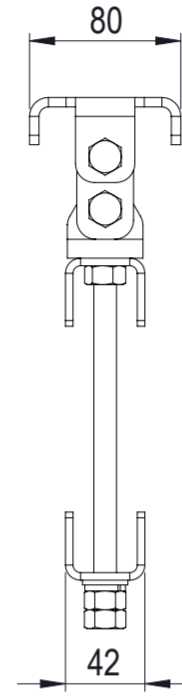
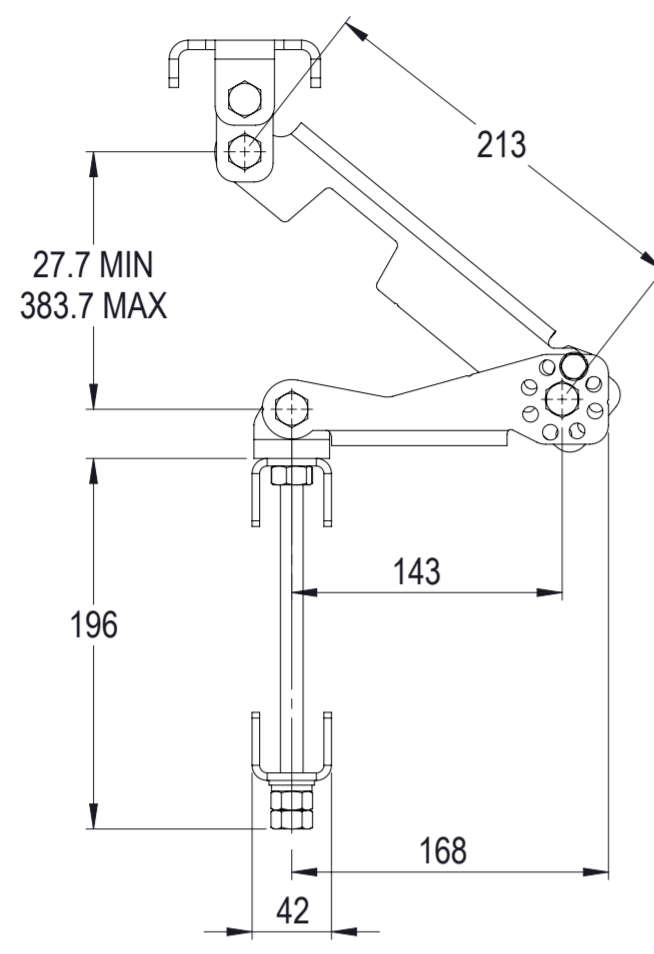


REVISIONS			
REV.	DESCRIPTION	DATE	APPROVED
A	ECR 8000020448: RELEASE TO PRODUCTION PER EAO 604161.	25FEB17 LS	S.LIU/JIHE
B	ECR 8000025302: UPDATE DRAWING.	04AUG17 YZ	S.LIU/JIHE



# BSAMNT-SBS-1-2

DENSITY	g/mm <sup>3</sup>
MASS	9.76 Kg
VOLUME	mm <sup>3</sup>
SURFACE AREA	mm <sup>2</sup>
HEIGHT	
LENGTH	
WIDTH	

**COMMSCOPE, INC. OF NORTH CAROLINA**

TOLERANCES: 0 PLACE X ±, 1 PLACE .X ±, 2 PLACE .XX ±, ANGLES ±

SAP MATERIAL MASTER

FINISH: NA, MATERIAL: NA

NAME	DATE	TITLE
CE LS	25FEB17	<b>PRODUCT DRAWING</b>
RW YZ1055	08/07/2017	
RV CHALIU	08/08/2017	
AD LGWU	08/08/2017	
RE BYUAN	08/09/2017	

ECN 8000025302-O

SCALE: 1:4, DOCUMENT NO.: BSAMNT-SBS-1-2-L

SIZE	WORK AREA	23	MODEL			DRAWING			SHEET
A2	VERSION	STATUS	REVISION	VERSION	STATUS	REVISION	REVISION	1 OF 1	
	01	RE	B	01	RE	B			