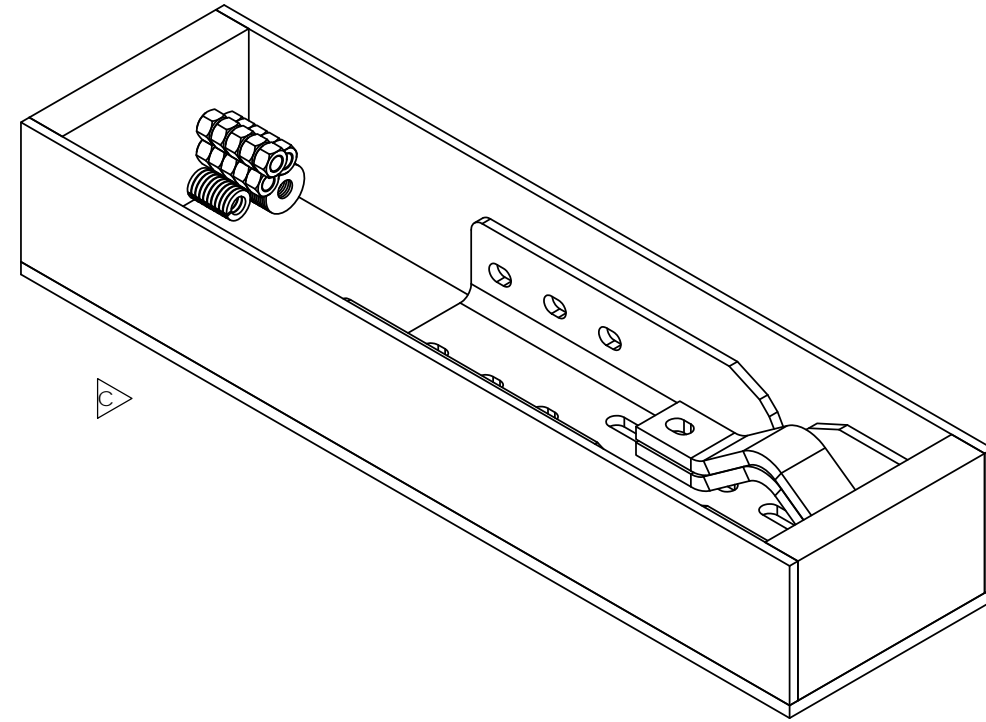


NOTES: 1.0 PUT ALL LOOSE HARDWARE IN POLYBAGS AS NEEDED.  
2.0 PLACE DRAWING INTO CRATE.

REVISIONS				
REV.	ZONE	DESCRIPTION	BY	DATE
A		INITIAL RELEASE	MSM	04/20/10
B		THREADED ROD WAS MT-381	MSM	09/13/12
C	8000013755	ADD PACKING, CHG BOM	CEB	4/26/2016



ITEM	PART NO.	DESCRIPTION	QTY.	WEIGHT	NOTE NO.
1	CRWGB	WOOD CRATE, 32" X 8-1/2" X 5-1/2" ID	1	7.47 LBS	
2	MDCS01	Universal Leg Channel	1	25.05 LBS	
3	MCP10	2-1/2" O.D. TO 9" O.D. CLAMP HALF	2	3.36 LBS	
4	MT-382-14	5/8" X 14" GALV THREADED ROD	4	1.21 LBS	
5	MDCSBHB1	HARDWARE BAG FOR MD-CS-B	1	2.34 LBS	
6	DOCUMENT RECORD	INSERT DRAWING MD-CS-B INTO CRATE	1	-	

COMMScope, INC. OF NORTH CAROLINA

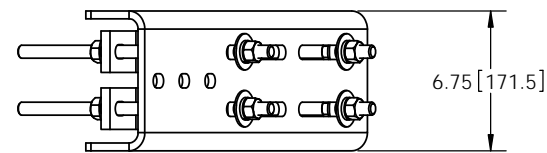
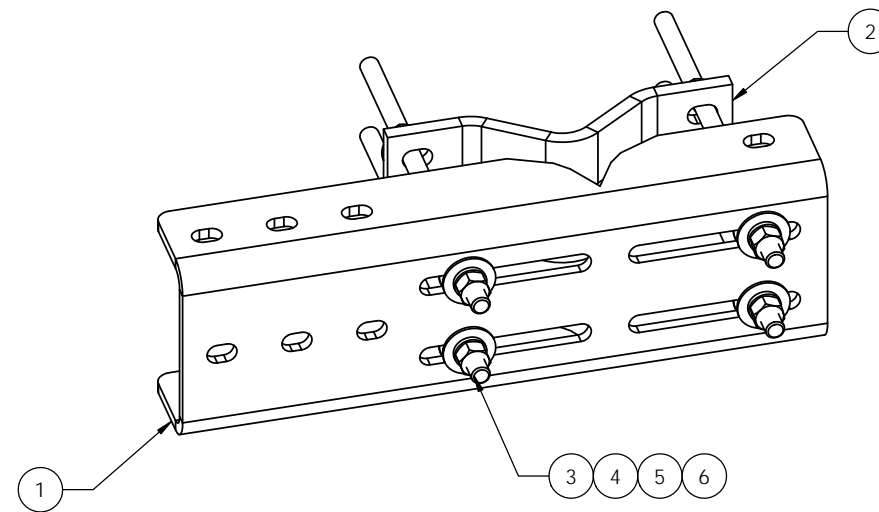
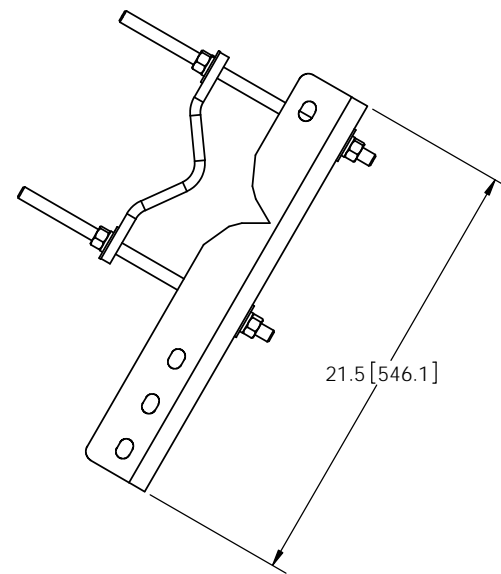
TOLERANCES		SAP MATERIAL MASTER	
0 PLACE X ± .25	2 PLACE .XX ± .06	<b>MD-CS-B</b>	
1 PLACE X ± .12	ANGLES ± 2°		
FINISH		MATERIAL	
GALV A123		A36	
NAME		DATE	TITLE
CE	MSM	04/20/10	<b>MICROWAVE DISH CHANNEL SUPPORT, BASE KIT</b>
RV			
AD			
RE	TP	04/20/10	
ECN	8000013755	SCALE	DOCUMENT NO.
		<b>1:6</b>	<b>MD-CS-B</b>
SIZE	WORK AREA	MODEL	DRAWING
<b>C</b>		VERSION	STATUS
		REVISION	REVISION
			REVISION
			SHEET
			1 OF 2

DENSITY	0.06	lbs/in <sup>3</sup>
MASS	46.43	lbs
VOLUME	746.62	in <sup>3</sup>
SURFACE AREA		in <sup>2</sup>

UNLESS OTHERWISE SPECIFIED, DIMENSIONS ARE IN MILLIMETERS INTERPRET PER ISO STANDARDS HANDBOOK TECHNICAL DRAWINGS, VOLUMES 1 & 2, THIRD EDITION (2002)

NOTES: 1.0 ALL METRIC DIMENSIONS ARE IN BRACKETS.

ITEM	PART NO.	DESCRIPTION	QTY.	WEIGHT
1	MDCS01	Universal Leg Channel	1	25.05 LBS
2	MCP10	2-1/2" O.D. TO 9" O.D. CLAMP HALF	2	3.36 LBS
3	MT-382-14	5/8" X 14" GALV THREADED ROD	4	1.21 LBS
4	GWF-05	5/8" GALV FLAT WASHER	12	0.06 LBS
5	GWL-05	5/8" GALV LOCK WASHER	8	0.03 LBS
6	GN-05	5/8" GALV HEX NUT	12	0.08 LBS



COMMSCOPE, INC. OF NORTH CAROLINA

TITLE

**Mirowave Dish Channel Support, Base Kit**

SIZE  
**C**

SCALE  
**1:6**

DOCUMENT NO.  
**MD-CS-B**



DRAWING		
VERSION	STATUS	REVISION
		C

SHEET  
2 OF 2