

SPX78192126-43 | E14F20P02

Compact Pentaplexer, 700/850/PCS/AWS/WCS-BRS, 4.3-10

- BTS-to-feeder and feeder-to-antenna application
- dc/AISG blocking on all ports
- Compact form factor with reduced size and weight
- New 4.3-10 connectors for improved PIM performance and size reduction
- Available in single (SPX78192126-43) and twin (SPX78192126T-43) configurations

Product Classification

Product Type Pentaplexer

General Specifications

Color Gray

Common Port Label COMMON

Modularity 1-Single

Mounting Pole | Wall

Mounting Pipe Hardware Band clamps (2)

RF Connector Interface 4.3-10 Female

RF Connector Interface Body Style Medium neck

Dimensions

Height 180 mm | 7.087 in

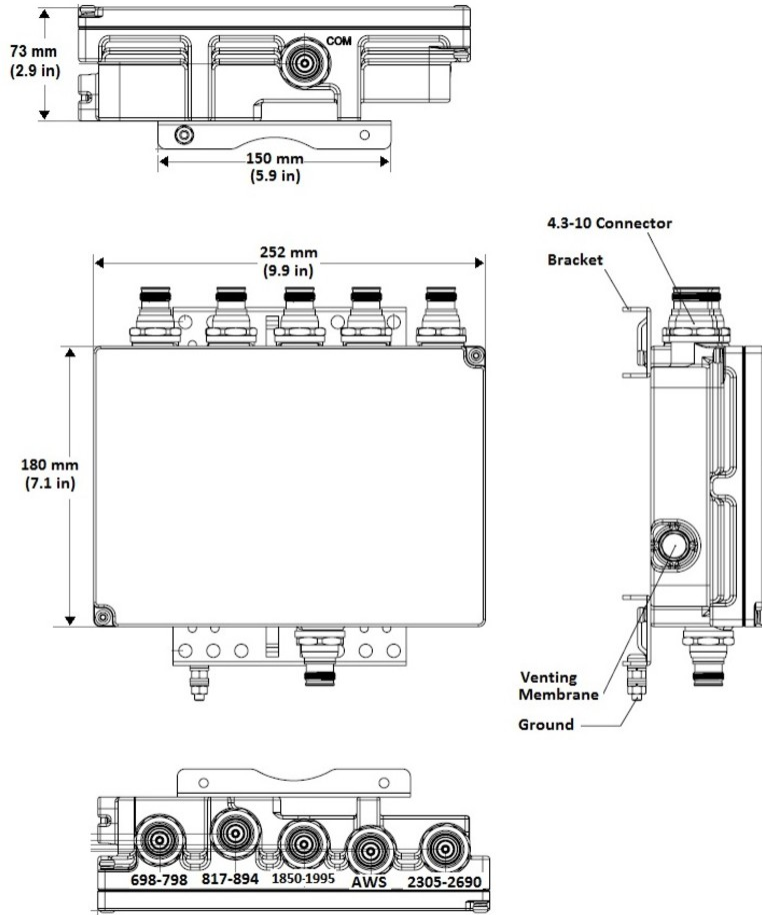
Width 252 mm | 9.921 in

Depth 73 mm | 2.874 in

Ground Screw Diameter 6 mm | 0.236 in

Mounting Pipe Diameter Range 40–160 mm

Outline Drawing



Electrical Specifications

Impedance	50 ohm
License Band, Band Pass	AWS 1700 CEL 850 IMT 2600 LMR 750 LMR 800 PCS 1900 TDD 2600 USA 700 USA 750 WCS 2300

Electrical Specifications, dc Power/Alarm

dc/AISG Pass-through Method	No dc/AISG pass-through
Lightning Surge Current	5 kA
Lightning Surge Current Waveform	8/20 waveform

Electrical Specifications

Sub-module	1 2	1 2	1 2	1 2	1 2
-------------------	-------	-------	-------	-------	-------

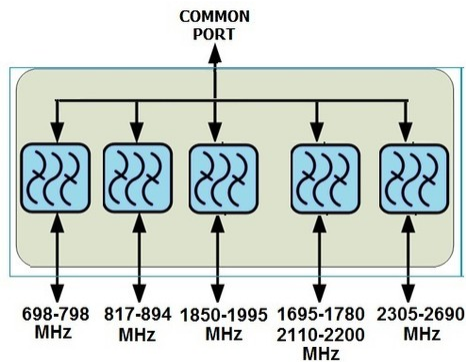
SPX78192126-43 | E14F20P02

Branch	1	2	3	4	5
Port Designation	698–798	817–894	AWS	1850–1995	WCS+BRS
License Band	LMR 750, Band Pass USA 700, Band Pass USA 750, Band Pass	CEL 850, Band Pass LMR 800, Band Pass	AWS 1700, Band Pass	PCS 1900, Band Pass	WCS 2300, Band Pass TDD 2600, Band Pass IMT 2600, Band Pass

Electrical Specifications, Band Pass

Frequency Range, MHz	698–798	817–894	1695–1780 2110–2200	1850–1995	2300–2690
Insertion Loss, typical, dB	0.2	0.3	0.3	0.3	0.2
Total Group Delay, maximum, ns	40	55	25	55	25
Return Loss, minimum, dB	20	20	20	20	20
Return Loss, typical, dB	22	22	22	22	22
Isolation, typical, dB	50	50	50	50	50
Input Power, RMS, maximum, W	100	100	100	100	100
Input Power, PEP, maximum, W	1000	1000	1000	1000	1000
3rd Order PIM, typical, dBc	-161	-161	-161	-161	-161
3rd Order PIM Test Method	2 x 20 W CW tones	2 x 20 W CW tones	1 x 20 W AWS CW tone 1 x 20 W PCS CW tone	2 x 20 W CW tones	2 x 20 W CW tones

Block Diagram



Environmental Specifications

Operating Temperature	-40 °C to +65 °C (-40 °F to +149 °F)
Corrosion Test Method	IEC 60068-2-11, 30 days
Ingress Protection Test Method	IEC 60529:2001, IP67

SPX78192126-43 | E14F20P02

Packaging and Weights

Included	Mounting hardware
Mounting Hardware Weight	0.5 kg 1.102 lb
Weight, net	4 kg 8.818 lb