

A5FHM-S



4.3-10 Male Connector for 7/8 in AVA5-50 and AVA5-50FX cable

Product Classification

| | |
|-----------------------|--------------------------------------|
| Product Type | Wireless and radiating connector |
| Product Series | AVA5-50 AVA5-50FX AVA5RK-50 |
| Ordering Note | CommScope® standard product (Global) |

General Specifications

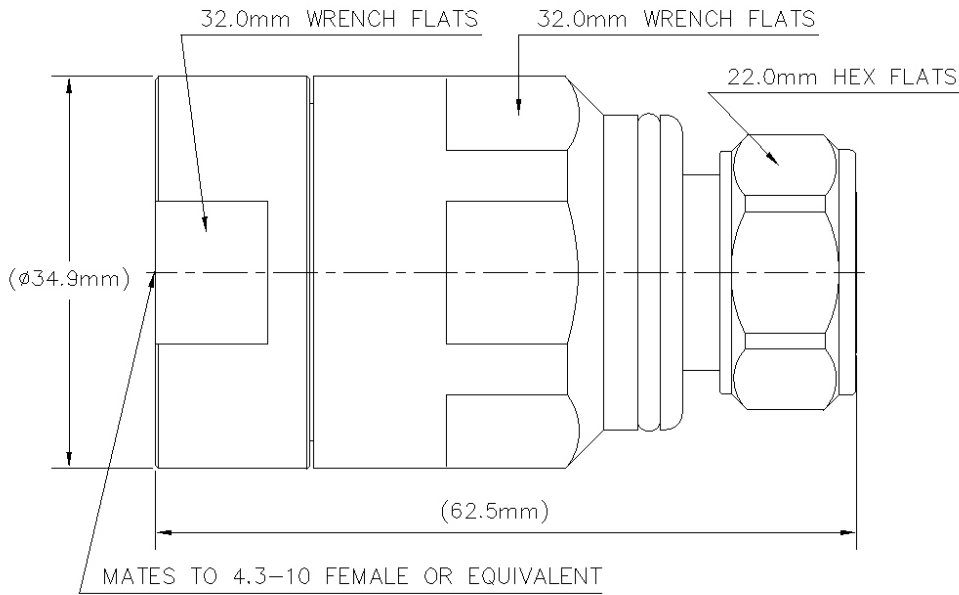
| | |
|--|---------------------|
| Body Style | Straight |
| Cable Family | AVA5-50 AVA5-50FX |
| Inner Contact Attachment Method | Captivated |
| Inner Contact Plating | Silver |
| Interface | 4.3-10 Male |
| Mounting Angle | Straight |
| Outer Contact Attachment Method | Clamp |
| Outer Contact Plating | Trimetal |
| Pressurizable | No |

Dimensions

| | |
|---------------------|--------------------|
| Length | 62.5 mm 2.461 in |
| Diameter | 34.9 mm 1.374 in |
| Nominal Size | 7/8 in |

Outline Drawing

A5FHM-S



Electrical Specifications

| | |
|---|----------------------|
| 3rd Order IMD at Frequency | -116 dBm @ 1800 MHz |
| 3rd Order IMD Dynamic Test Method | Two +43 dBm carriers |
| 3rd Order IMD Test Method | Two +43 dBm carriers |
| Insertion Loss Coefficient, typical | 0.05 |
| Average Power at Frequency | 3.0 kW @ 900 MHz |
| Cable Impedance | 50 ohm |
| Connector Impedance | 50 ohm |
| dc Test Voltage | 4000 V |
| Inner Contact Resistance, maximum | 0.4 mOhm |
| Insulation Resistance, minimum | 5000 MOhm |
| Operating Frequency Band | 0 – 5000 MHz |
| Outer Contact Resistance, maximum | 1.5 mOhm |
| Peak Power, maximum | 40 kW |
| RF Operating Voltage, maximum (vrms) | 1415 V |
| Shielding Effectiveness | -130 dB |

A5FHM-S

VSWR/Return Loss

| Frequency Band | VSWR | Return Loss (dB) | Gated VSWR | Gated Return Loss (dB) |
|----------------|-------|------------------|------------|------------------------|
| 0–1000 MHz | 1.152 | 23 | 1.041 | 34 |
| 1000–2700 MHz | 1.152 | 23 | 1.083 | 28 |
| 2700–3800 MHz | 1.152 | 23 | 1.106 | 26 |

Mechanical Specifications

| | |
|--|-----------------------|
| Attachment Durability | 25 cycles |
| Connector Retention Tensile Force | 1,334.47 N 300 lbf |
| Coupling Nut Proof Torque | 10 N-m 88.507 in lb |
| Insertion Force | 200 N 44.962 lbf |
| Insertion Force Method | IEC 61169-1:15.2.4 |
| Interface Durability | 100 cycles |
| Interface Durability Method | IEC 61169-4:9.5 |
| Mechanical Shock Test Method | IEC 60068-2-27 |

Environmental Specifications

| | |
|---|---|
| Operating Temperature | -40 °C to +85 °C (-40 °F to +185 °F) |
| Storage Temperature | -55 °C to +85 °C (-67 °F to +185 °F) |
| Attenuation, Ambient Temperature | 20 °C 68 °F |
| Average Power, Ambient Temperature | 40 °C 104 °F |
| Corrosion Test Method | IEC 60068-2-11 |
| Immersion Depth | 1 m |
| Immersion Test Mating | Mated |
| Immersion Test Method | IEC 60529:2001, IP68 |
| Moisture Resistance Test Method | MIL-STD-202F, Method 106F |
| Thermal Shock Test Method | MIL-STD-202, Method 107, Test Condition A-1, -55 °C to +85 °C |
| Vibration Test Method | IEC 60068-2-6 |
| Water Jetting Test Mating | Mated |
| Water Jetting Test Method | IEC 60529:2001, IP66 |

Packaging and Weights

A5FHM-S

Weight, net

151 g | 0.333 lb

Included Products

78-HPT – EZfit® Manual Cable Preparation Tool for 7/8 in coaxial cable

* Footnotes

Insertion Loss Coefficient, typical 0.05√freq (GHz) (not applicable for elliptical waveguide)

Immersion Depth Immersion at specified depth for 24 hours