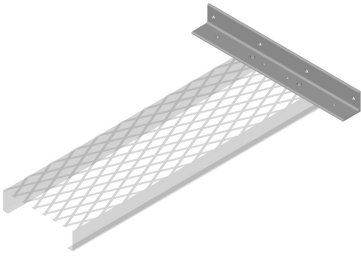


# MF-511

---



Wall Support Angle, single or double

## Product Classification

**Product Type** Wall mount kit

## General Specifications

**Application** Wall mount

**Mounting** All bridge channel types

## Dimensions

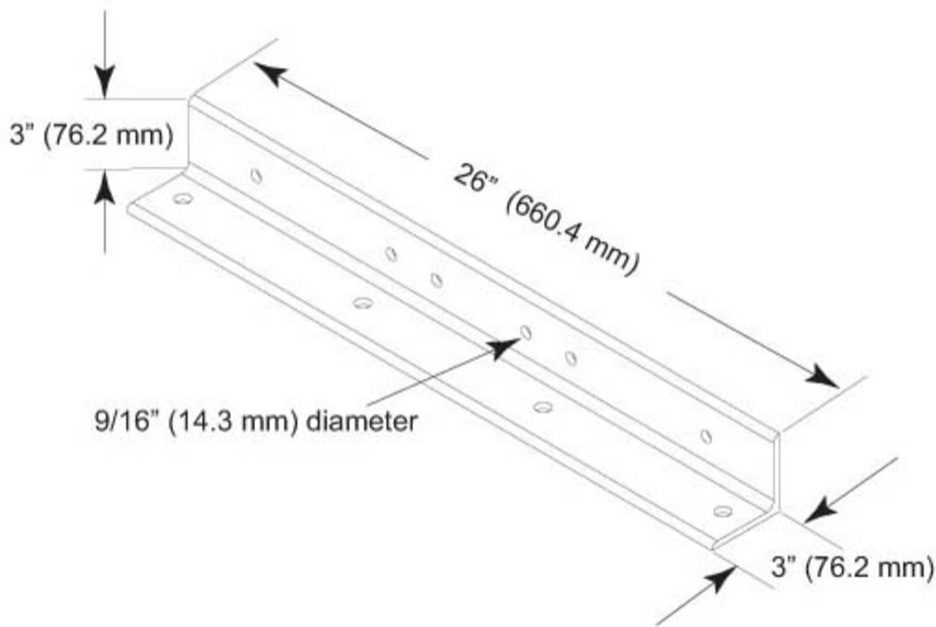
**Height** 76.2 mm | 3 in

**Width** 76.2 mm | 3 in

**Length** 660.4 mm | 26 in

# MF-511

## Outline Drawing



## Material Specifications

**Material Type** Hot dip galvanized steel

## Packaging and Weights

**Included** Angle brackets

**Packaging quantity** 1

**Weight, net** 5 kg | 11.023 lb

## Regulatory Compliance/Certifications

### Agency

CHINA-ROHS

ISO 9001:2015

ROHS

UK-ROHS

### Classification

Above maximum concentration value

Designed, manufactured and/or distributed under this quality management system

Compliant/Exempted

Compliant/Exempted

