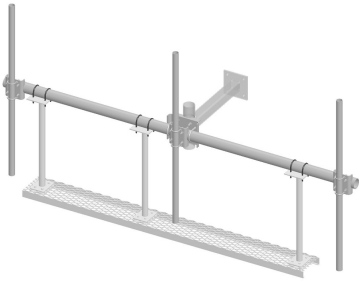


MT-216-14NS



Cellular Pipe Frame, 14 ft face

Product Classification

Product Type Pipe mount

General Specifications

Mounting Pipe, 114.3 mm (4-1/2 in) OD

Dimensions

Height 254 mm | 10 in

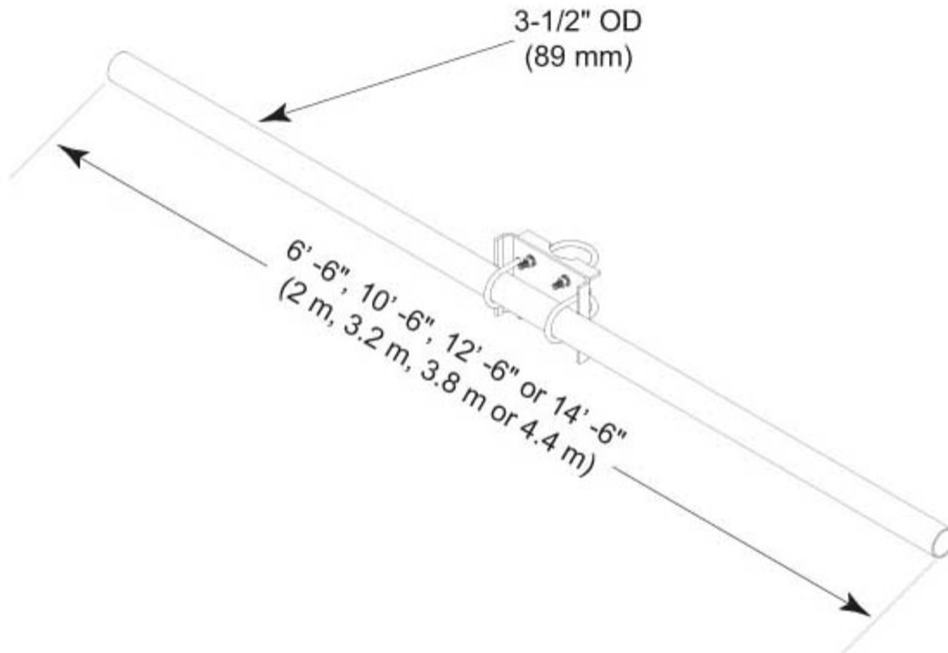
Face Width 4.42 m | 14.5 ft

Width 4,419.6 mm | 174 in

Length 88.9 mm | 3.5 in

MT-216-14NS

Outline Drawing



Material Specifications

Material Type Hot dip galvanized steel

Mechanical Specifications

Wind Rating 120 mph (BWS) at 150 ft AGL | 140 mph (3-second gust) at 150 ft AGL using Exposure D per FBC

Wind Rating Criteria Four 72 in x 8 in panel antennas per sector

Wind Rating Test Method TIA/EIA-222

Environmental Specifications

EPA with 1/2 in (12 mm) radial ice 1.514 m² | 16.3 ft²

EPA without ice 1.189 m² | 12.8 ft²

Packaging and Weights

MT-216-14NS

| | |
|---------------------------|----------------------|
| Included | Cellular pipe frames |
| Packaging quantity | 1 |
| Weight, net | 55.4 kg 122.136 lb |

Regulatory Compliance/Certifications

| Agency | Classification |
|---------------|--|
| ISO 9001:2015 | Designed, manufactured and/or distributed under this quality management system |

* Footnotes

| | |
|---|--|
| Wind Rating | BWS—Base Wind Speed; FBC—Florida Building Code |
| EPA with 1/2 in (12 mm) radial ice | EPA—Effective Projected Area |
| EPA without ice | EPA—Effective Projected Area |