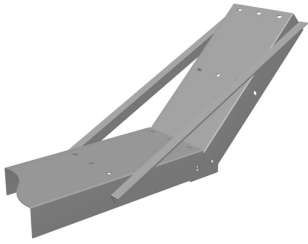


# MT-F1703

---



Extension Kit for Bridge Kit for four coaxial cable runs

## Product Classification

**Product Type** Bridge kit

## General Specifications

**Cable Runs, quantity** 4

**Mounting** Rooftop bridge kits

## Dimensions

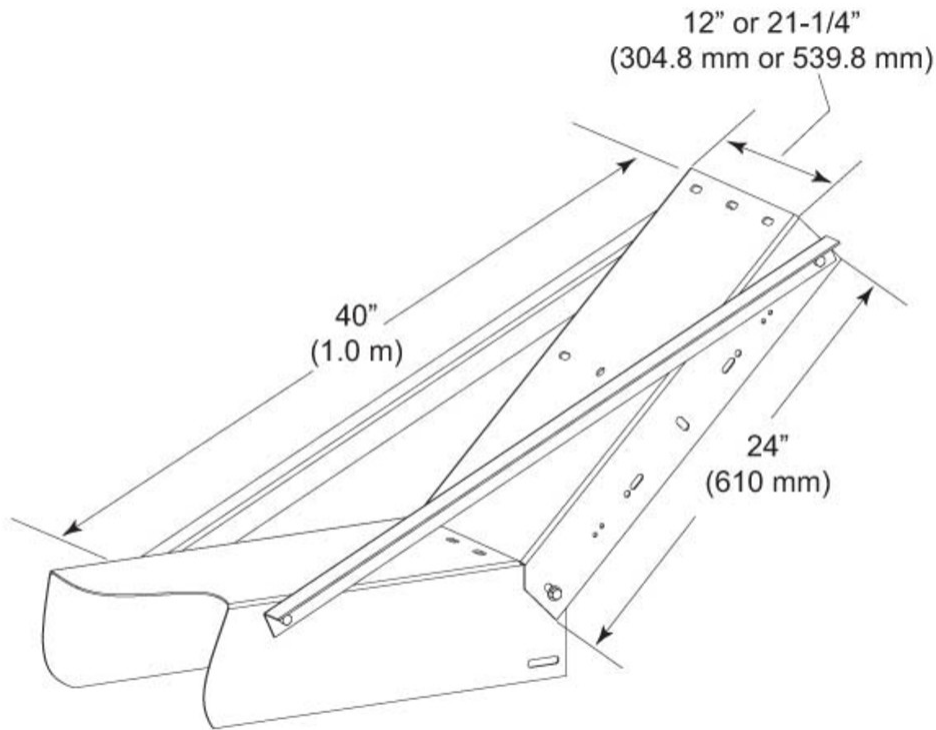
**Height** 508 mm | 20 in

**Width** 304.8 mm | 12 in

**Length** 1016 mm | 40 in

# MT-F1703

## Outline Drawing



## Material Specifications

**Material Type** Galvanized steel

## Mechanical Specifications

**Wind Rating** For Specifications, please contact [steelproducts@commscope.com](mailto:steelproducts@commscope.com) or call 800-255-1479

## Packaging and Weights

**Included** Extension | Hardware

**Packaging quantity** 1

**Weight, net** 13.6 kg | 29.983 lb

## Regulatory Compliance/Certifications

Agency	Classification
ISO 9001:2015	Designed, manufactured and/or distributed under this quality management system

# MT-F1703

---

\* Footnotes

**Wind Rating**

BWS—Base Wind Speed; FBC—Florida Building Code