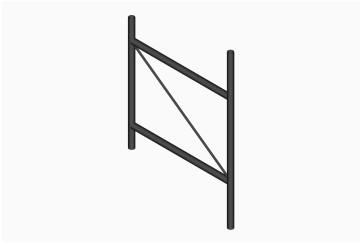


P-200



Panel Antenna Stand-Off Bracket, 24 in

Product Classification

| | |
|----------------------|--------------------------------------|
| Portfolio | CommScope® |
| Product Type | Stand-off mount |
| Ordering Note | CommScope® standard product (Global) |

General Specifications

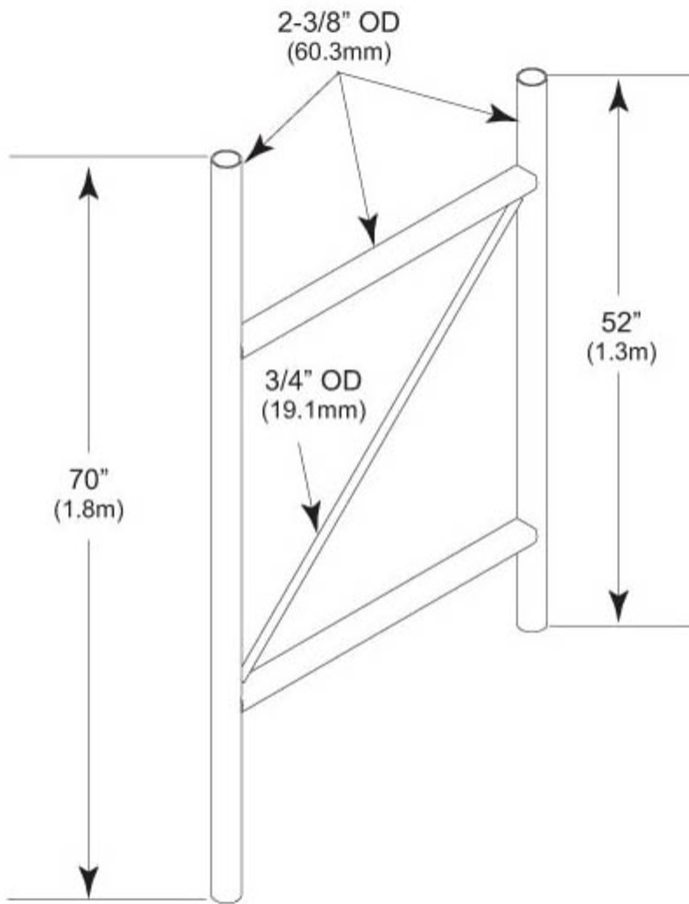
| | |
|-------------|---|
| Note | One 72 in x 8 in panel antenna per sector |
|-------------|---|

Dimensions

| | |
|---------------------------|------------------|
| Height | 1778 mm 70 in |
| Width | 76.2 mm 3 in |
| Length | 609.6 mm 24 in |
| Stand-off Distance | 609.6 mm 24 in |

P-200

Outline Drawing



Material Specifications

Material Type Hot dip galvanized steel

Mechanical Specifications

Wind Rating 120 mph (BWS) at 150 ft AGL

Wind Rating Test Method TIA/EIA-222

Packaging and Weights

Included Stand-off

Packaging quantity 1

P-200

Weight, net 24.3 kg | 53.572 lb

Regulatory Compliance/Certifications

| Agency | Classification |
|---------------|--|
| ISO 9001:2015 | Designed, manufactured and/or distributed under this quality management system |

* Footnotes

Wind Rating BWS—Base Wind Speed; FBC—Florida Building Code