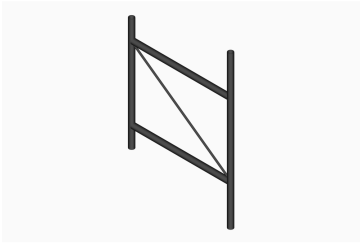


P-400



Panel Antenna Stand-Off Bracket, 48 in

Product Classification

Product Type Stand-off mount

General Specifications

Note One 72 in x 8 in panel antenna per sector

Dimensions

Height 1778 mm | 70 in

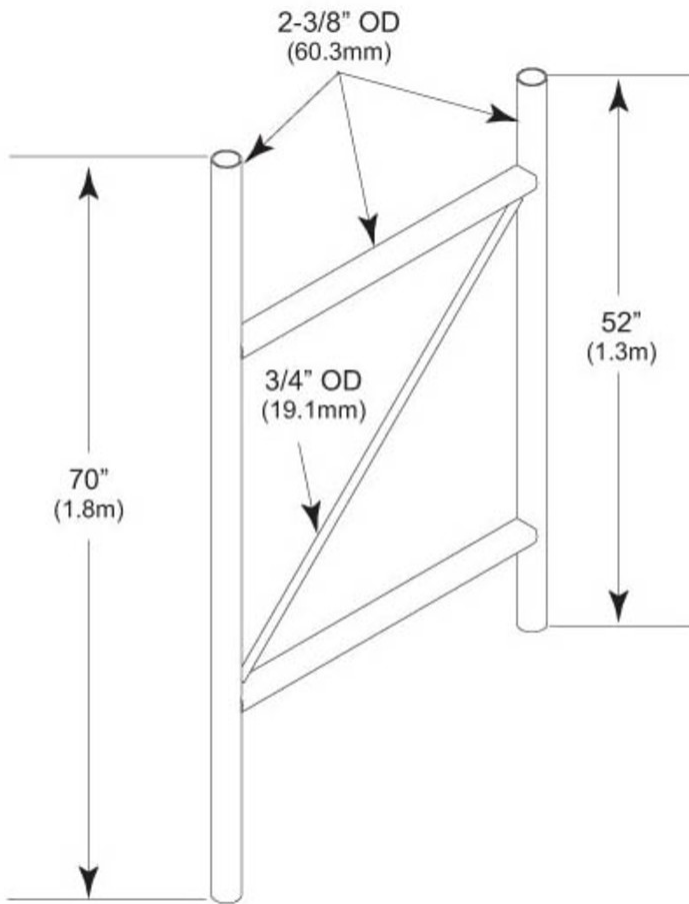
Width 76.2 mm | 3 in

Length 1,219.2 mm | 48 in

Stand-off Distance 1,219.2 mm | 48 in

P-400

Outline Drawing



Material Specifications

Material Type Hot dip galvanized steel

Mechanical Specifications

Wind Rating 120 mph (BWS) at 150 ft AGL

Wind Rating Test Method TIA/EIA-222

Packaging and Weights

Included Stand-off

Packaging quantity 1

P-400

Weight, net

31.9 kg | 70.327 lb

Regulatory Compliance/Certifications

Agency

ISO 9001:2015

Classification

Designed, manufactured and/or distributed under this quality management system

* Footnotes

Wind Rating

BWS—Base Wind Speed; FBC—Florida Building Code