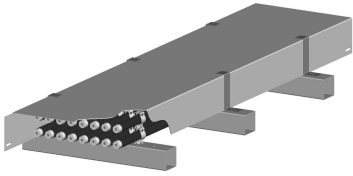


RT-CB12D



Rooftop Cover Kits for SnapStak® Snap-in Hangers, 12 holes

Product Classification

Product Type Cover

General Specifications

Cable Runs, quantity 12

Hole, quantity 12

Mounting Non-penetrating

Dimensions

Height 279.4 mm | 11 in

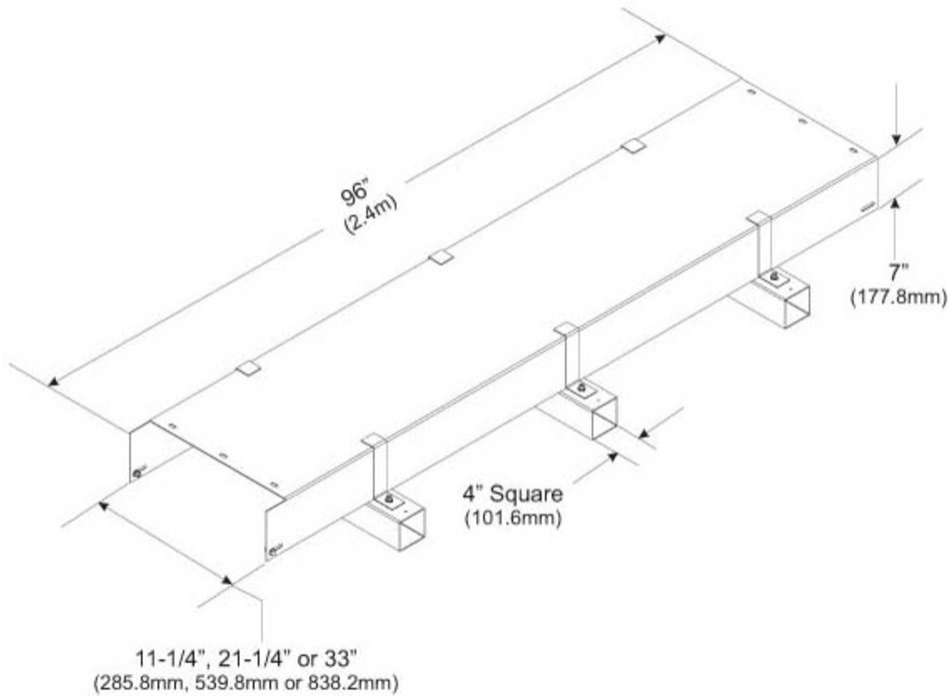
Width 914.4 mm | 36 in

Length 2,438.4 mm | 96 in

Hole Size 3/4 in

RT-CB12D

Outline Drawing



Material Specifications

Material Type Galvanized steel

Mechanical Specifications

Wind Rating For Specifications, please contact steelproducts@commscope.com or call 800-255-1479

Packaging and Weights

Included Channel | Hardware | Hold-down clamps | Sleepers (3)

Packaging quantity 1

Weight, net 73.7 kg | 162.48 lb

Regulatory Compliance/Certifications

Agency

ISO 9001:2015

Classification

Designed, manufactured and/or distributed under this quality management system

RT-CB12D

* Footnotes

Wind Rating BWS—Base Wind Speed; FBC—Florida Building Code