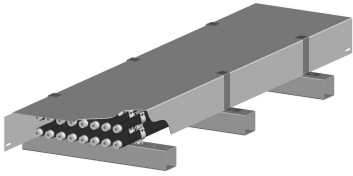


RT-CB8D



Rooftop Cover Kits for SnapStak® Snap-in Hangers, eight holes

Product Classification

Product Type Cover

General Specifications

Cable Runs, quantity 8

Hole, quantity 8

Mounting Non-penetrating

Dimensions

Height 279.4 mm | 11 in

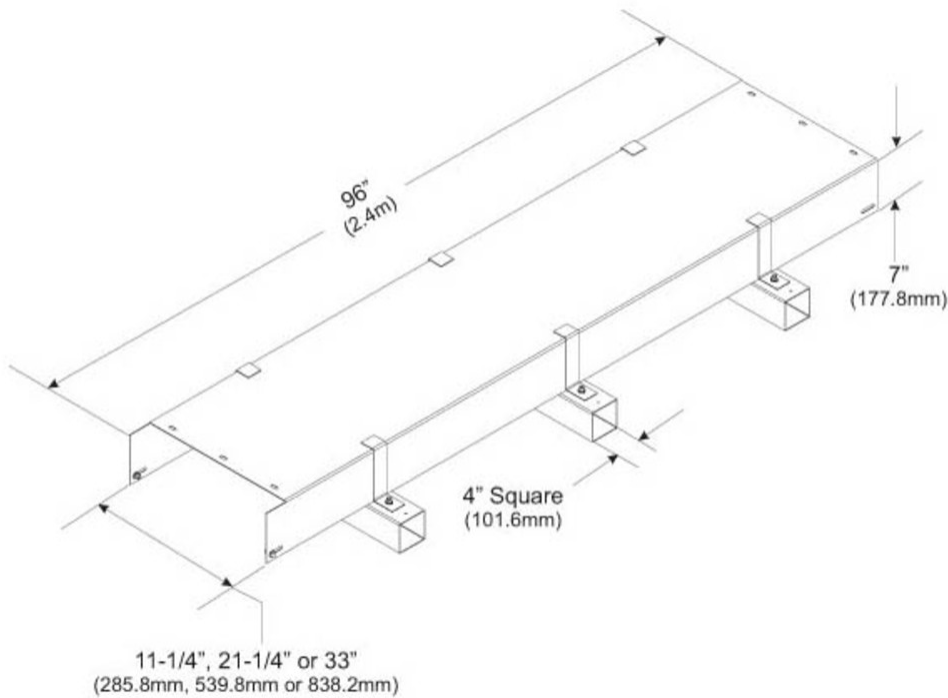
Width 711.2 mm | 28 in

Length 2,438.4 mm | 96 in

Hole Size 3/4 in

RT-CB8D

Outline Drawing



Material Specifications

Material Type Galvanized steel

Mechanical Specifications

Wind Rating For Specifications, please contact steelproducts@commscope.com or call 800-255-1479

Packaging and Weights

Included Channel | Hardware | Hold-down clamps | Sleepers (3)

Packaging quantity 1

Weight, net 55.6 kg | 122.577 lb

Regulatory Compliance/Certifications

Agency	Classification
CHINA-ROHS	Below maximum concentration value

RT-CB8D

ISO 9001:2015	Designed, manufactured and/or distributed under this quality management system
REACH-SVHC	Compliant as per SVHC revision on www.commscope.com/ProductCompliance
ROHS	Compliant
UK-ROHS	Compliant



* Footnotes

Wind Rating BWS—Base Wind Speed; FBC—Florida Building Code