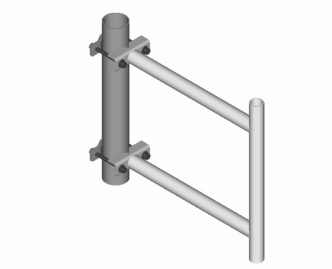


# S-200

---



Stand-Off Bracket, 24 in, includes pipe

## Product Classification

**Product Type** Stand-off mount

## General Specifications

**Mounting** Straight or tapered legs up to 88.9 mm (3-1/2 in) OD, clamps included

**Note** One 20 ft omni antenna

**Pipe, quantity** 1

**Tower Taper** Non-tapered | Tapered

## Dimensions

**Height** 609.6 mm | 24 in

**Width** 127 mm | 5 in

**Length** 609.6 mm | 24 in

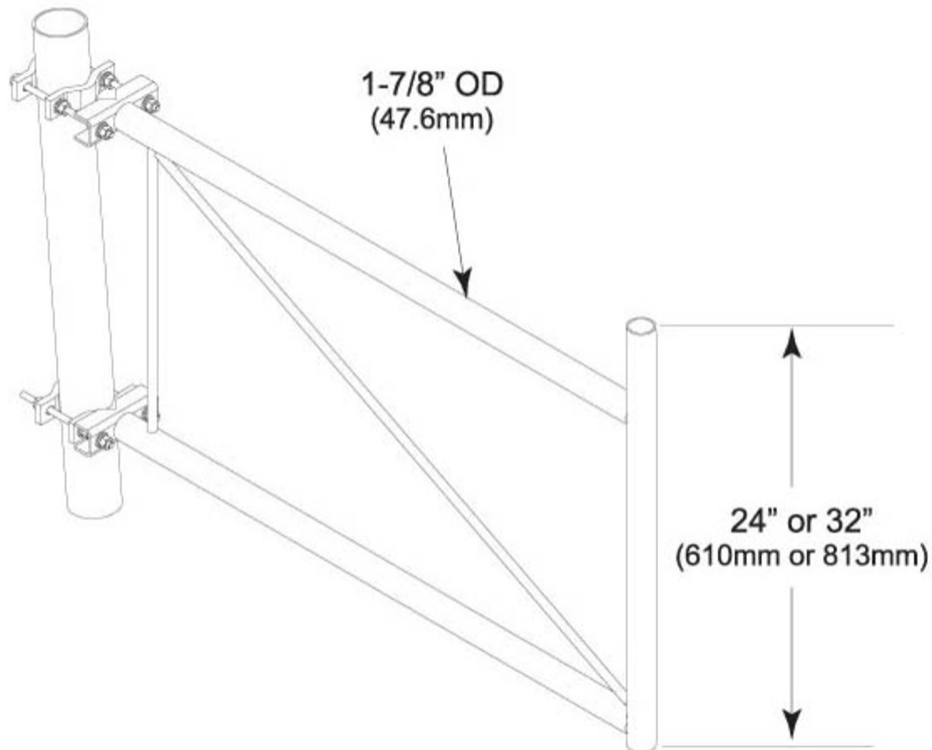
**Pipe Length** 609.6 mm | 24 in

**Pipe Outer Diameter** 48.26 mm | 1.9 in

**Stand-off Distance** 609.6 mm | 24 in

# S-200

## Outline Drawing



## Material Specifications

**Material Type** Hot dip galvanized steel

## Mechanical Specifications

**Wind Rating** 120 mph (BWS) at 150 ft AGL

**Wind Rating Test Method** TIA/EIA-222

## Packaging and Weights

**Included** Clamps | Stand-off

**Packaging quantity** 1

**Weight, net** 9.9 kg | 21.826 lb

## Regulatory Compliance/Certifications

**Agency** **Classification**

# S-200

---

ISO 9001:2015

Designed, manufactured and/or distributed under this quality management system

## \* Footnotes

**Wind Rating**

BWS—Base Wind Speed; FBC—Florida Building Code