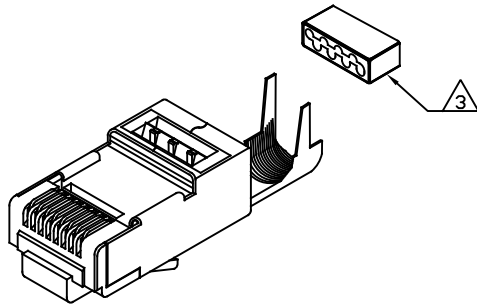


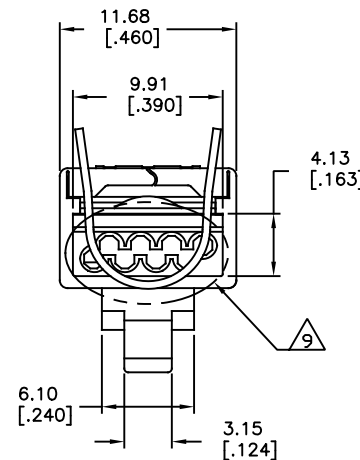
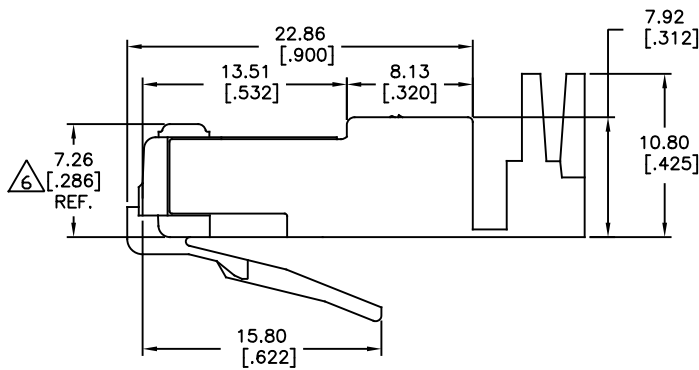
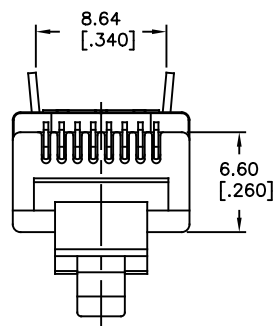
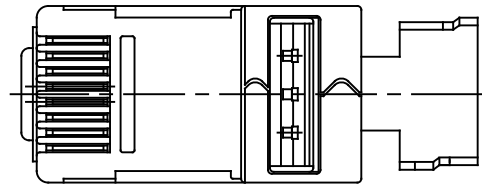
THIS DRAWING IS UNPUBLISHED. RELEASED FOR PUBLICATION

© 2016 CommScope, INC. Confidential. NOTED: These drawings and specifications are the proprietary property of COMMSCOPE, INC. and may be used only for the specific purpose authorized in writing by COMMSCOPE, INC.

REVISIONS				
P	LTR	DESCRIPTION	DATE	OWN / APVD
E		40129216CMO	15APR21	GG / MS



NOT TO SCALE



- 1. DIMENSIONS ARE NOMINAL UNLESS OTHERWISE SPECIFIED.
- 2. MATERIAL:
PLUG: POLYCARBONATE, 94V-0 RATED
CONTACT: PHOSPHOR BRONZE
CONTACT PLATING: .0013 [.000050] HARD GOLD IN CONTACT AREA OVER .0025 [.000100] MINIMUM NICKEL UNDERPLATE.
LOAD BAR: POLYCARBONATE 94V-0 RATED WITH CONDUCTIVE FILLER.
- 3. PRODUCT IS SHIPPED WITH CONDUCTIVE LOAD BAR.
- 4. PLUG INTERFACE DIMENSIONS CONFORM TO IEC 60603-7 SEC 3.2.3
- 5. CONDUCTOR JACKET OD RANGE 1.22/1.32 [0.048/0.052] SOLID OR STRANDED WIRE 22-28 AWG. OUTER JACKET OD RANGE 6.99/7.87 [0.275/0.310] NO LOGO ON TAB.
- 6. TERMINATED DIMENSION IS 5.89-6.15 [0.232-0.242].
- 7. ROHS COMPLIANT.
- 8. UL RECOGNIZED.
- 9. WIRE GUIDE PATTERN:
2,4,6,8 - TOP ROW
1,3,5,7 - BOTTOM ROW
- 10. 2500 ASSEMBLIES AND 2500 LOAD BARS PER PACKAGE.
- 12. 100 ASSEMBLIES AND 100 LOAD BARS PER PACKAGE.

12	5-1499598-3
10	1499598-1
PACKAGING	PART NO.

THIS DRAWING IS A CONTROLLED DOCUMENT.		DWG	L. HALL	01MAY2000	NAME		MOD PLUG, 0.053 MAX WIRE, CAT 6, SHLD, 0.310 CABLE	
DIMENSIONS: M/M [INCHES]		CHK	B. MCNEILL	04MAY2000	APVD		B. MCNEILL	
TOLERANCES UNLESS OTHERWISE SPECIFIED:		PRODUCT SPEC		APPLICATION SPEC		SIZE		CAGE CODE
0 PLC	±	1		-		A2		DRAWING NO
1 PLC	±	2		-		C=1499598		RESTRICTED TO
2 PLC	±	3		-		-		SCALE
3 PLC	±	4		-		-		SHEET
4 PLC	±	-		-		-		1 of 1
ANGLES	±	-		-		-		REV
FINISH	-	-		-		-		E
MATERIAL	-	-		-		-		CUSTOMER DRAWING